

#### TECHNICAL SHEET

The Blocfor bi-directional retrieval lifeline provides freedom of movement to workers performing their job at various heights. The device automatically takes up the slack in the wire rope, keeping it out of the way while minimizing the free fall distance, should a fall occur. In the event of a fall, the sudden jerk in the wire rope will activate the centrifugal locking mechanism, arresting the fall within 2 ft. (0.6 m)

Very lightweight and easy to handle, the Blocfor features two carrying handles that facilitate the transportation and installation of the device. The device can be converted from a retracting unit to a recovery device in a few seconds simply by pressing a button. The bi-directional feature of the unit allows the injured worker to be lowered or raised. This feature also makes it possible to slightly lower a worker to free him from obstructions before raising him.

For further information, refer to the "Use and Maintenance Instructions" for Blocfor self-retracting lifeline and self-retracting retrieval lifeline.

#### **WARNING**

Always work directly under anchorage point as a pendulum fall could result in serious injury or death.

#### **WARNING**

Always select an anchorage point that is rigid and capable of supporting a minimum load of 5,000 lb. (22.5 kN).

#### **FEATURES**

- **Housing**
  - Synthetic case works with the frame to dissipate and absorb shock if dropped or struck by objects (T1T50).
- **Construction**
  - Isolated drum keeps all brake components contaminate-free.
  - All parts are corrosion resistant.
  - Mechanical parts are not dependent on the integrity of the housing.
- **Brake mechanism**
  - Twin stainless steel disc brakes with copper/alloy coil in the centre (all parts are anti-spark).
  - Twin inertia and speed-activated brake pawls are designed to activate and engage at the same time. This design compensates against gravitational effects when the block is used horizontally. As a result, the braking system of the Blocfor offers faster reaction.
- **Design**
  - Features a carabiner-positioning washer.
  - Rubber stop which is easy to take in hand and acts as a buffer when cable is accidentally released (high-speed recoil).
  - Reinforced plastic rope guide is designed for high wear resistance, low cost and easy maintenance.
  - Swivel self-locking snap hook has a visual fall indicator to allow inspection before each use.
- Canadian Standards Association (CSA) Z259.2.3-04 requires inspection, maintenance and recertification annually, regardless of usage.



TECHNICAL SHEET

**APPLICATIONS**

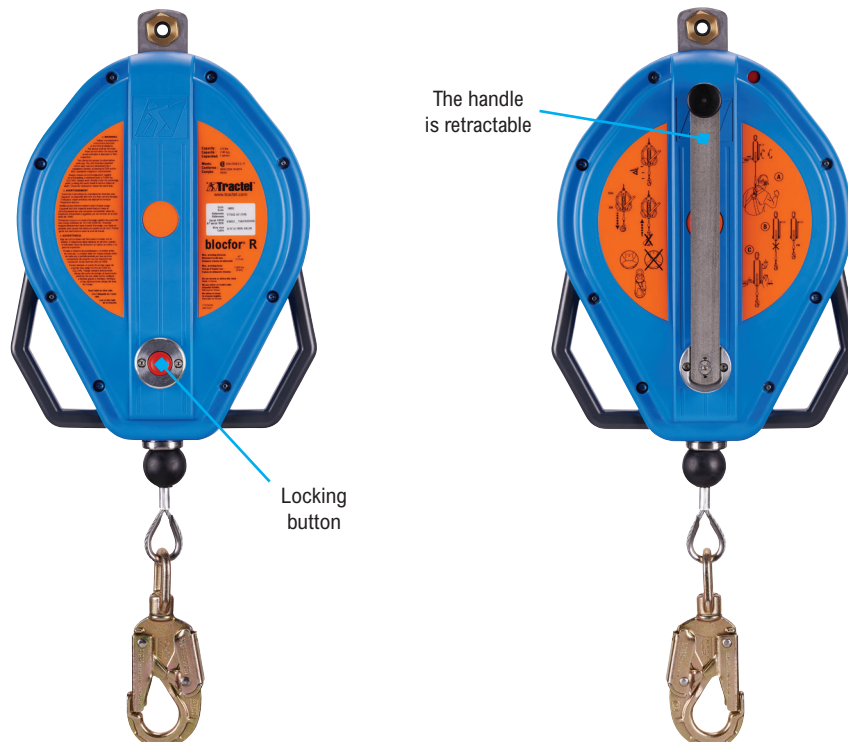
- Storage tanks
- Silos
- Vats
- Boilers
- Sewers
- Tunnels
- Ship compartments
- Vaults
- Pipelines
- Ladders

**APPLICABLE STANDARDS**

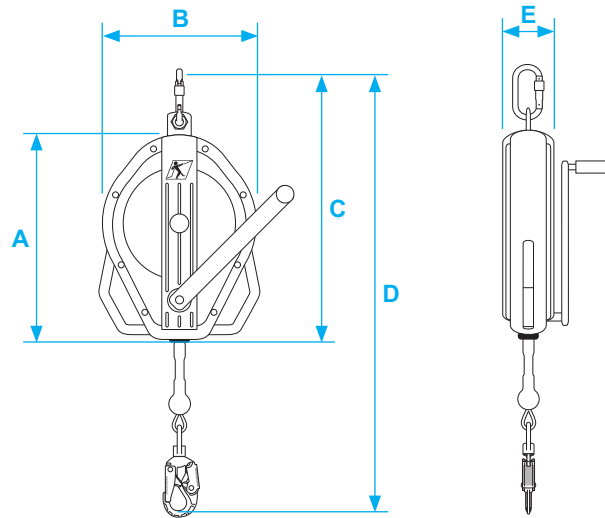
- CSA Z259.2.2-17
- ANSI Z359.14-14
- OSHA

**AVAILABLE MODELS**

- **T1T50G** Blocfor bi-directional retrieval lifeline with 50 ft. (15 m) galvanized wire rope
- **T1T100G** Blocfor bi-directional retrieval lifeline with 100 ft. (30 m) galvanized wire rope
- **T1T50S** Blocfor bi-directional retrieval lifeline with 50 ft. (15 m) stainless steel wire rope
- **T1T100S** Blocfor bi-directional retrieval lifeline with 100 ft. (30 m) stainless steel wire rope



TECHNICAL SHEET



SPECIFICATIONS	T1T50G	T1T100G	T1T50S	T1T100S
<b>CASING CONSTRUCTION</b>	Polyamide 6/ABS	Cast aluminum	Polyamide 6/ABS	Cast aluminum
<b>WIRE ROPE LENGTH</b>	50 ft. (15 m)	100 ft. (30 m)	50 ft. (15 m)	100 ft. (30 m)
<b>WIRE ROPE CONSTRUCTION</b>	3/16 in. (4.7 mm) dia. 7 X 19 galvanized steel preformed wire rope with ordinary lay right SZ and IWRC core		3/16 in. (4.7 mm) dia. 7 X 19 stainless steel preformed wire rope with ordinary lay right SZ and IWRC core	
<b>WIRE ROPE BREAKING STRENGTH</b>	Galvanized steel: 3,304 lb. (14.7 kN)		Stainless steel: 3,597 lb. (16 kN)	
<b>ROPE TENSION</b>	11 lb. (50 N)			
<b>UNIT WEIGHT</b>	18 lbs. (8.2 kg)	34.6 lbs. (15.7 kg)	18 lbs. (8.2 kg)	34.6 lbs. (15.7 kg)
<b>LENGTH (A)</b>	15 3/4 in. (400 mm)	23 3/8 in. (600 mm)	15 3/4 in. (400 mm)	23 3/8 in. (600 mm)
<b>WIDTH (B)</b>	10 13/16 in. (275 mm)	12 9/16 in. (320 mm)	10 13/16 in. (275 mm)	12 9/16 in. (320 mm)
<b>SUSPENSION HEIGHT (C)</b>	20 1/16 in. (510 mm)	29 15/16 in. (760 mm)	20 1/16 in. (510 mm)	29 15/16 in. (760 mm)
<b>SUSPENSION HEIGHT FROM TOP TO HOOK (D)</b>	27 1/2 in. (700 mm)	31 5/8 in. (803 mm)	27 1/2 in. (700 mm)	31 5/8 in. (803 mm)
<b>DEPTH (E)</b>	4 in. (100 mm)	5 1/8 in. (130 mm)	4 in. (100 mm)	5 1/8 in. (130 mm)
<b>AVERAGE RECOVERY SPEED</b>	3 1/8 in./turn (80 mm/turn)	3 1/16 in./turn (90 mm/turn)	3 1/8 in./turn (80 mm/turn)	3 1/16 in./turn (90 mm/turn)
<b>MAXIMUM ARRESTING FORCE</b>	1,800 lb. (8 kN)			
<b>MAXIMUM FALL ARREST DISTANCE</b>	24 in. (600 mm)			
<b>FORCE TO APPLY ON HANDLE TO LIFT 200 LB. (100 KG)</b>	17.5 lb. (8 kg)			
<b>CAPACITY</b>	310 lb. (140 kg), one person			