

blocfor[®] AES

self-retracting lifeline

BENEFITS

- No annual factory re-certification except in Canada. (CSA requires inspection, maintenance and recertification annually, regardless of usage.)
- Patented system
- Integrated energy absorber
- Lower cost of ownership
- Leading edge capability
- Automatically eliminates rope slack

FEATURES

- Fiberglass filled casing for added durability
- Impact-indicating snap hook
- Rubber recoil bumper
- Corrosion-resistant components
- Isolated drum provides contaminate-free brake components

APPLICATIONS

- Ships, towers, fixed ladders, roofing, silos, shafts, tanks, manholes, construction sites...
- Any elevated work station

STANDARDS

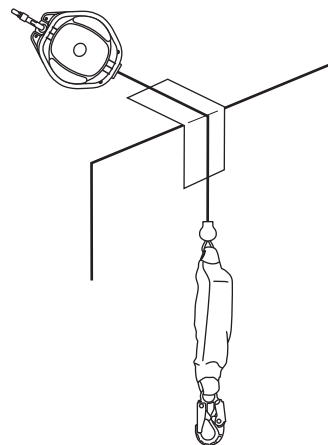
- CSA Z259.2.3-12, type 2
- ANSI Z359.1-2007
- ANSI Z359.14-2012, type B
- OSHA 1926

AVAILABLE MODEL

- With galvanized wire rope
 - 20 ft. – RA20G
 - 30 ft. – RA30G
- With stainless steel wire rope
 - 20 ft. – RA20S
 - 30 ft. – RA30S
- With synthetic rope
 - 30 ft. – RA30R
- Leading Edge model
 - 30 ft. – RA30G/LE



RA20G
RA30G
RA20S
RA30S
RA30R



RA30G/LE