

The roof anchors are designed to be used as temporary anchorage connectors on wood or metal roofs. The swivel design provides 360° mobility which allows the worker to work different areas of the roof without having to move the anchor. The roof anchor is specifically designed to be used with a blocfor[®] self-retracting lifeline of 30 or 50 ft. (9 or 15 m) models.

For information on the blocfor[®] self-retracting lifelines, refer to technical sheets T-4557 and T-4607.

For further information, refer to the “Use and Maintenance Instructions” for roof anchors.

⚠ WARNING

Always select an anchorage point that is capable of supporting 5,000 lbs. (22.2 kN).

⚠ WARNING

Use only with a retractable lifeline which limits the loads to 900 lbs. (400 kg) or less.

FEATURES

- Lightweight and portable
- Reusable
- Swivel design allowing for 360° mobility
- N650 won't damage or puncture the roof
- N650 fits 24 to 36 in. (60 to 90 cm) seam spacing but can accommodate 12 to 18 in. (30 to 45 cm) seam spacing by leaving one seam between the two attachment points.

APPLICATIONS

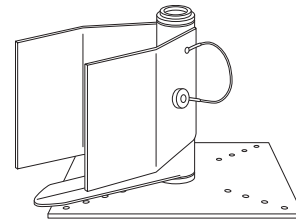
- Fall arrest
- Roof work

APPLICABLE STANDARDS

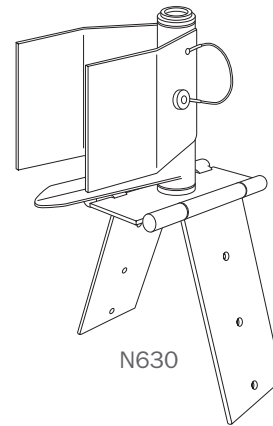
- Manufactured in accordance with CSA and OSHA requirements.
- Meets and/or exceed 5,000-lbs. (22.2 kN) strength requirements for anchorage point.

AVAILABLE MODELS

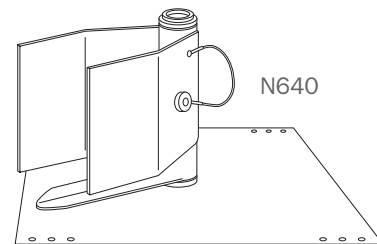
- **N620** Screw down roof anchor for wood roof
- **N630** Adjustable/swivel ridge anchor for wood roof
- **N640** Flat metal roof anchor for metal roof
- **N650** Standing seam roof clamp for metal roof



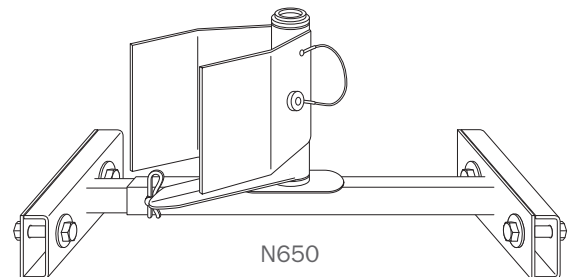
N620



N630



N640

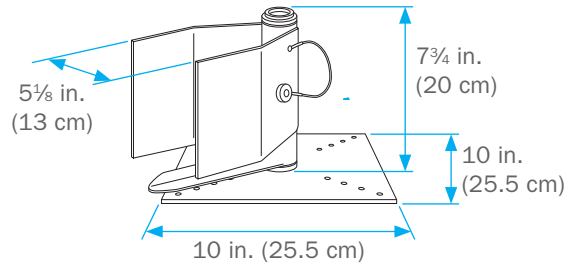


N650

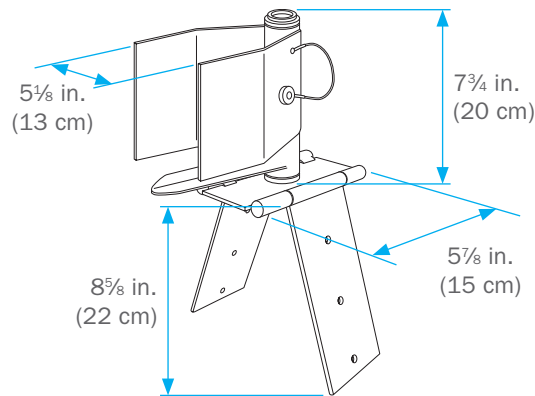
SPECIFICATIONS

| | |
|----------------------------------|---|
| CONSTRUCTION | Welded steel |
| FINISH | Powder coated |
| MINIMUM BREAKING STRENGTH | 5,000 lbs. (22.2 kN), depending on anchorage method |
| COLOR | Blue |
| CAPACITY | 310 lbs. (140 kg), one person |

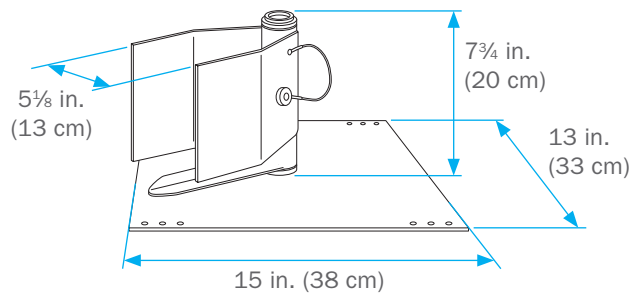
N620 – SCREW DOWN ROOF ANCHOR FOR WOOD ROOF



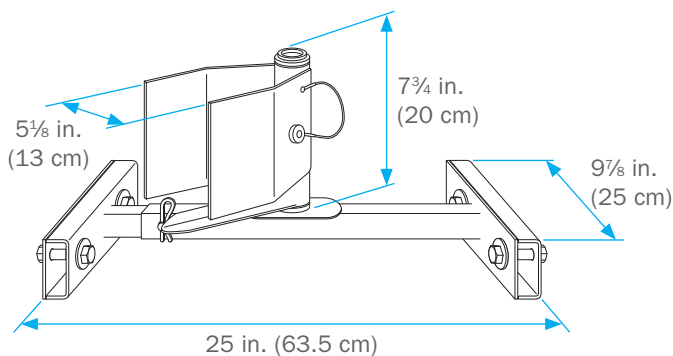
N630 – ADJUSTABLE/SWIVEL RIDGE ANCHOR FOR WOOD ROOF



N640 – FLAT METAL ROOF ANCHOR FOR METAL ROOF



N650 – STANDING SEAM ROOF CLAMP FOR METAL ROOF



Fits 24 to 36 in. (60 to 90 cm) seam spacing but can accommodate 12 to 18 in. (30 to 45 cm) seam spacing by leaving one seam between the two attachment points.

Specifications are subject to change without notice. Images are for illustrative purposes only.