

The griphoist®/tirfor® lifting and pulling hoist is safe, reliable and efficient. Suitable for many applications, the griphoist®/tirfor® is a lever-operated wire rope hoist using a separate wire rope. One-man operated, using a telescopic operating handle, it can work in any position and over any height of lift. It can replace conventional winches and other hoists for many applications. Best uses are when doing long pulls or when requirements call for increasing capacity.

It is possible for lifting and pulling applications to increase the capacity of the griphoist®/tirfor® by using multiple sheave blocks without the user being directly in front of load.

Light and compact, the griphoist®/tirfor® T500 series is easy to handle, provides a high mechanical advantage and is economical.

MULTIPLE OPERATION

- Works in any position: horizontal, vertical or angled
- Unlimited length of wire rope
- Increase the nominal capacity with multiple sheave blocks
- Long length of wire rope much easier to handle than chain

SIMPLE

- Fast and easy installation and use
- Simple to install or remove the wire rope
- Continuous operation without jerking
- Reduced maintenance with simple cleaning and regular lubrication
- Change from forward to reverse operation by transferring the operating handle from one lever to another

HEAVY DUTY

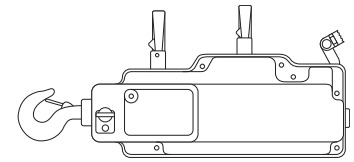
- High mechanical advantage
- Both ranges will operate in the most difficult conditions

SAFE AND RELIABLE

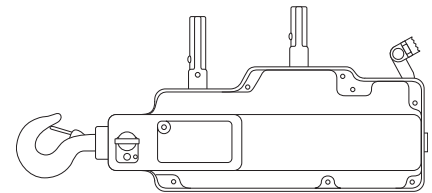
- The load is always permanently controlled in the utmost precision: when operation stops, the load is distributed on two jaw blocks
- TU range “UL” classified for man-riding applications for use as a scaffold hoist
- Each hoist is equipped with overload shear pins

APPLICATIONS

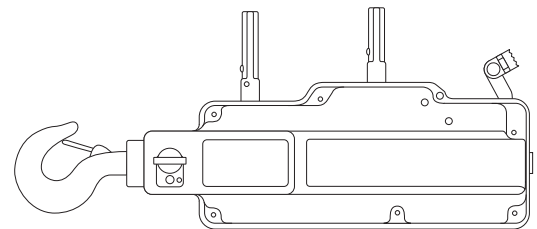
- Construction
- Public works
- Civil engineering
- Bridges
- Steel structures
- Industry
- Escalators, elevators
- Electricity and telecommunications
- Oil and chemical industries
- Entertainment



griphoist®/tirfor®
T508D

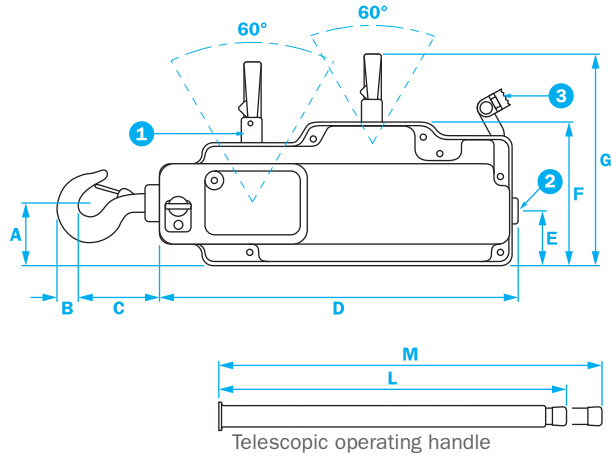


griphoist®/tirfor®
T516D



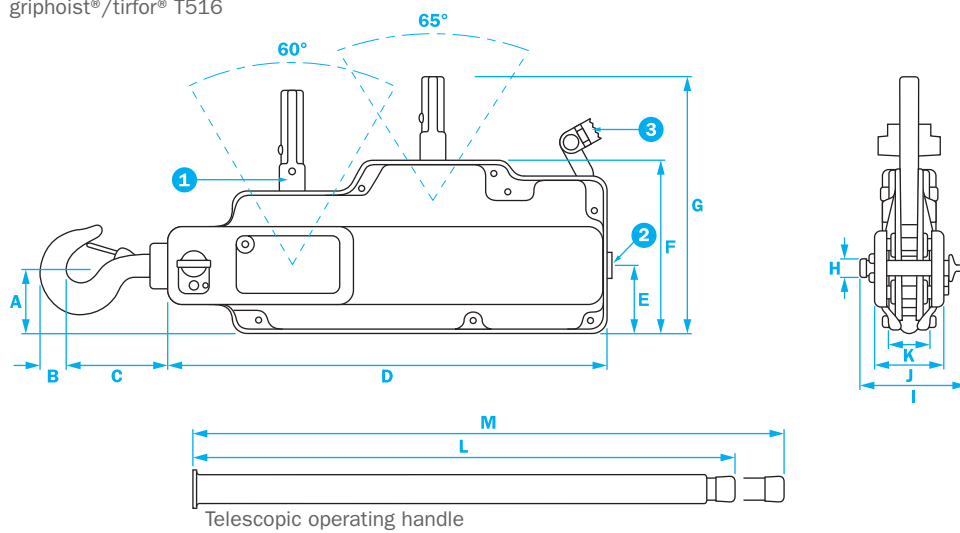
griphoist®/tirfor®
T532D

griphoist[®]/tirfor[®] T508

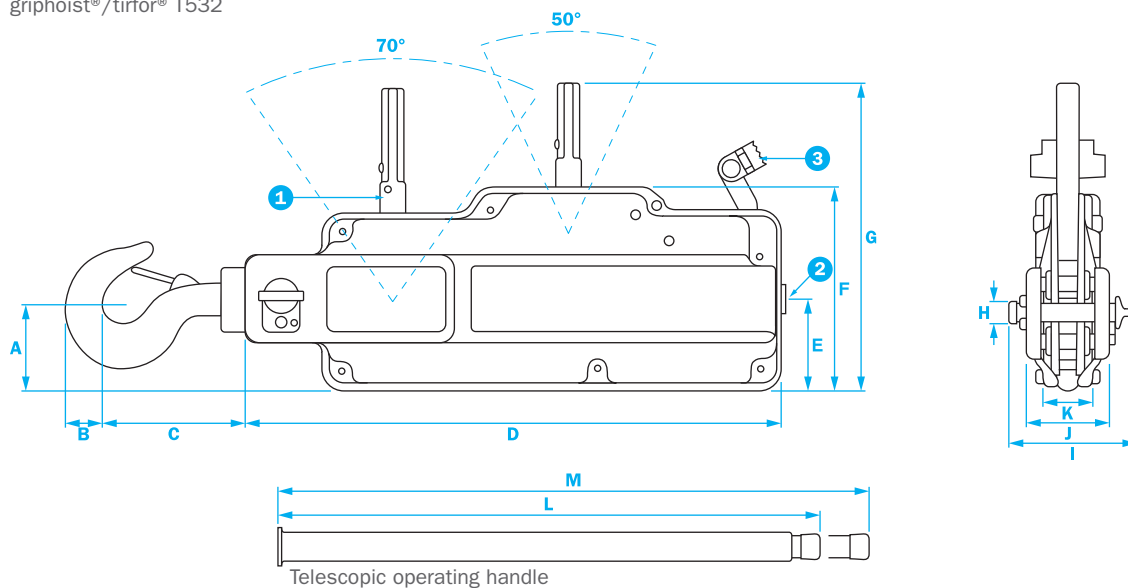


1. Shear pin
2. Rope entry
3. Spare shear pins

griphoist[®]/tirfor[®] T516



griphoist[®]/tirfor[®] T532



MODEL	T508D	T516D	T532D	
Nominal capacity	2,000 lbs.	4,000 lbs.	8,000 lbs.	
Wire rope dia.	5/16 in. (8.4 mm)	7/16 in. (11.5 mm)	5/8 in. (16.3 mm)	
Effort on control lever	Forward	77 lbs. (35 kg)	105.8 lbs. (48 kg)	
	Reverse	27 lbs. (12 kg)	7 lbs. (18 kg)	
Rope travel per stroke	Forward	1 ¹³ / ₁₆ in. (46 mm)	3/16 in. (42 mm)	
	Reverse	2 1/2 in. (63 mm)	2 1/2 in. (57 mm)	
Min. wire rope breaking strength	10,000 lbs. (4,500 kg)	20,000 lbs. (9,000 kg)	40,000 lbs. (18,000 kg)	
Safety factor	Minimum 4 to 1			
DIMENSIONS	A	2 5/16 in. (65 mm)	3 5/2 in. (80 mm)	4 1/4 in. (108 mm)
	B	1 5/16 in. (23 mm)	1 3/16 in. (30 mm)	1 1/16 in. (40 mm)
	C	4 in. (102 mm)	4 15/16 in. (125 mm)	6 7/8 in. (175 mm)
	D	16 1/2 in. (420 mm)	20 7/8 in. (530 mm)	24 7/16 in. (631 mm)
	E	2 1/2 in. (64 mm)	3 in. (77 mm)	4 3/16 in. (107 mm)
	F	6 1/2 in. (165 mm)	7 7/8 in. (200 mm)	9 7/16 in. (240 mm)
	G	9 7/8 in. (250 mm)	12 7/16 in. (315 mm)	14 in. (357 mm)
	H	5/8 in. (16 mm)	1 13/16 in. (21.3 mm)	1 1/8 in. (29.2 mm)
	I	3 3/8 in. (99 mm)	5 1/16 in. (129 mm)	5 13/16 in. (148 mm)
	J	2 3/8 in. (60 mm)	3 3/16 in. (85 mm)	3 7/8 in. (99 mm)
	K	1 3/8 in. (35 mm)	2 in. (50 mm)	2 1/16 in. (52 mm)
	L	15 15/16 in. (405 mm)	25 1/2 in. (648 mm)	25 1/2 in. (648 mm)
	M	27 3/16 in. (690 mm)	45 3/16 in. (1,147 mm)	45 3/16 in. (1,147 mm)
Wire rope weight	8 lbs./30 ft. (3.5 kg/9 m)	28.9 lbs./60 ft. (13 kg/18 m)	8 lbs./30 ft. (3.5 kg/9 m)	
Unit weight	14.25 lbs. (6.6 kg)	30 lbs. (13.5 kg)	51 lbs. (24 kg)	

Capacities shown for material handling only—For man-riding capacities, contact customer service.