

APPLICATIONS

The mobile PORTAFIX® suspension jibs allow very fast access to the building facades using all types of temporary platforms manufactured by TRACTEL® (refer also to the technical sheets / spare part lists):

ALTA "L" cradle	T/S-483
ALTA "S" cradle	T/S-486
SOLO cradle	T/S-702
SOLSIT seat	T/S-701
SUBITO seat	T/S-654

PORTAFIX® suspension jibs are robust and easy to assemble and to dismantle. They represent the ideal solution for nearly every flat roof, especially when the parapet is not strong enough to hold a load.

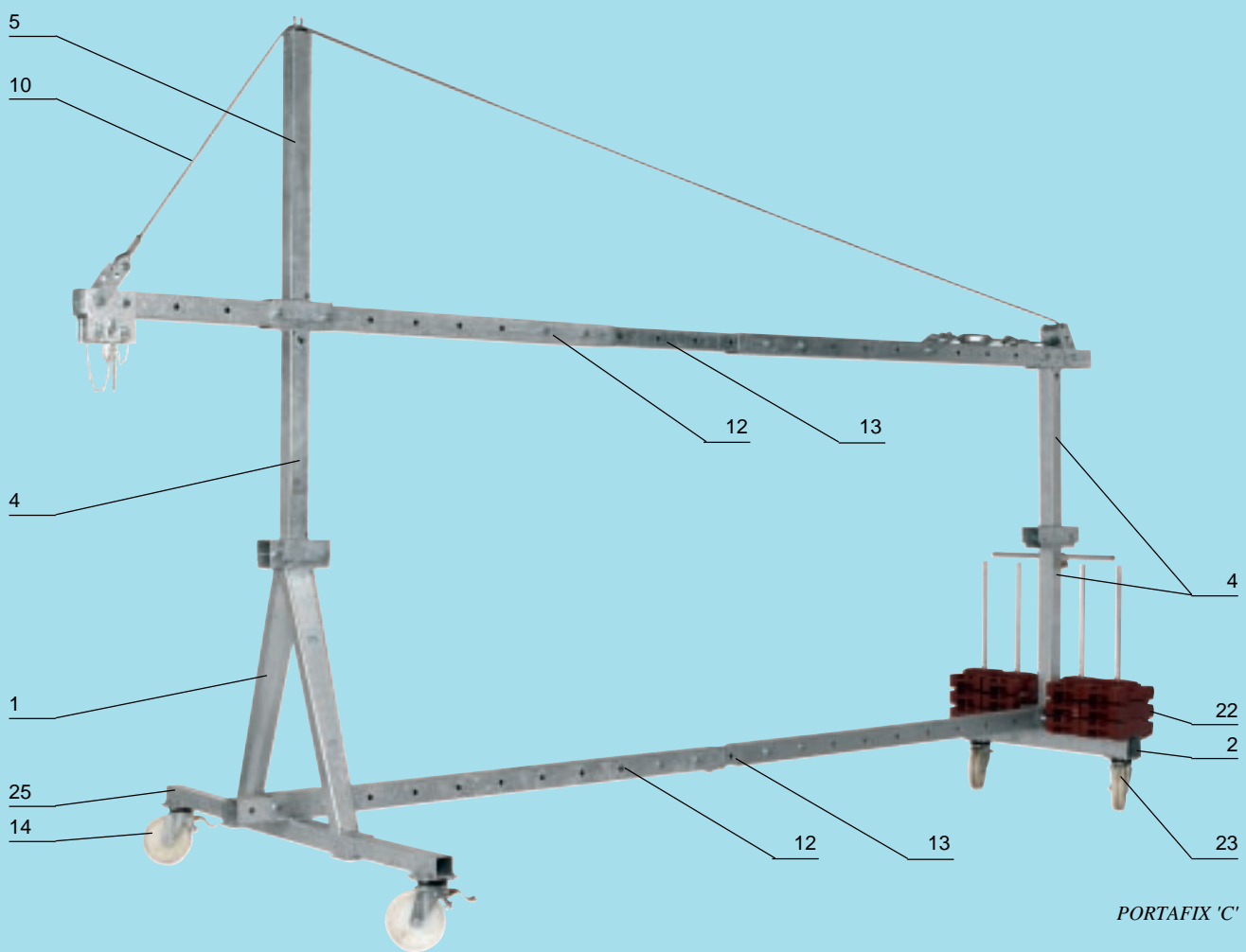
The stability of the jibs is provided by counterweights (see pages 3+4).

CE The equipment conforms to EU Directives and is manufactured in accordance with ISO 9001:2000.



COMPONENTS

- 1 Mobile front crossbar
- 2 Mobile counterweight crossbar
- 4 Rear height adjuster
- 5 Reinforcing bracket
- 10 Guy wire rope
- 12 End jib beam
- 13 Intermediate jib beam
- 14 Front castor wheels with brake
- 22 Cast iron counterweight (25 kg each)
- 23 Rear castor wheels without brake
- 24 Safety sling (option, not shown)
- 25 Front cross bar extension for PORTAFIX 'C'

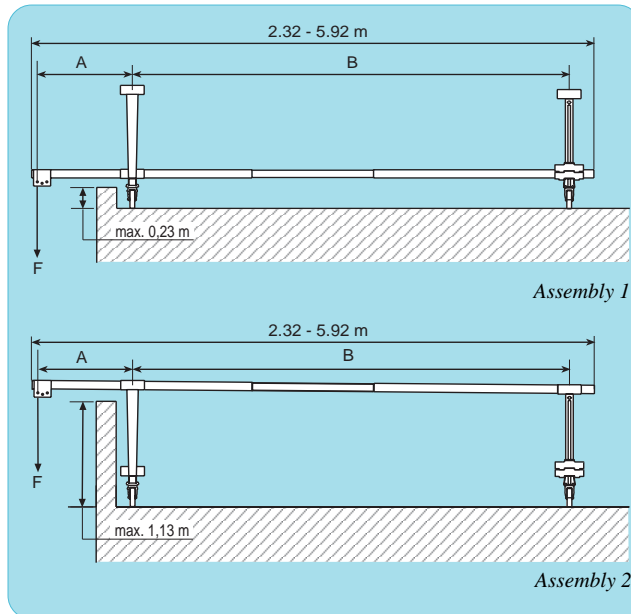


SPARE PARTS

See spare part list S-482.

STANDARD CONFIGURATIONS

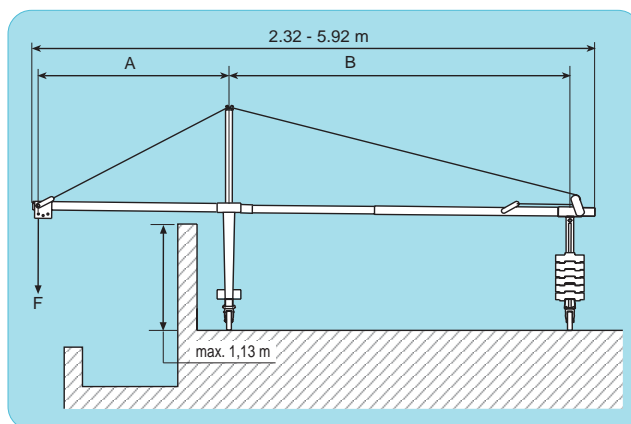
PORTAFIX® jibs contain components to develop the following standard assemblies.



PORTAFIX 'A'

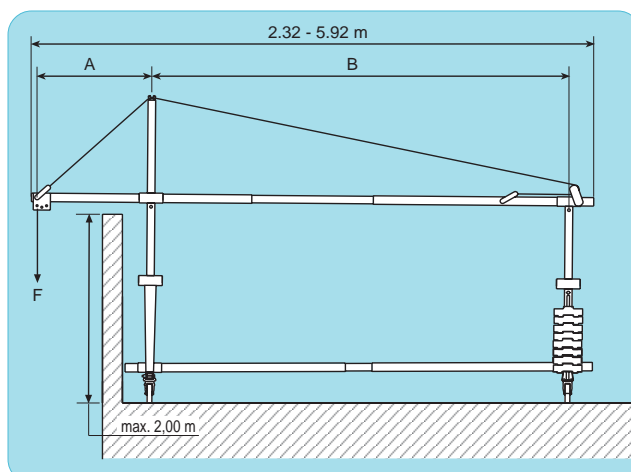
Two assemblies are possible:

- 1) for use on parapets not exceeding 0.23 m.
- 2) allow the jib to pass over obstacles up to 1.13 m high.



PORTAFIX 'B'

Model with reinforcing bracket (5) and guy wire rope (10), recommended for longer overhangs (A) or heavy loads.



PORTAFIX 'C'

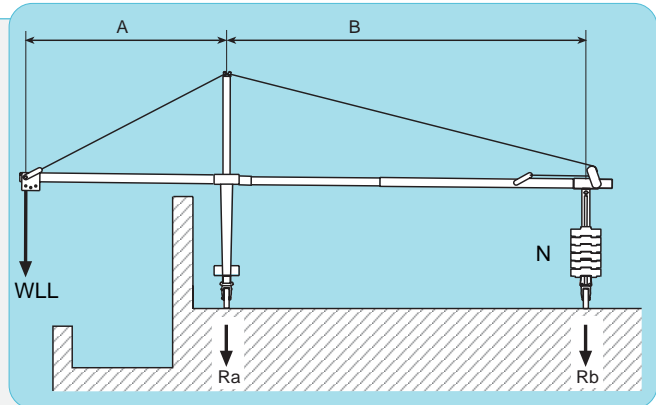
Model with

- two additional height adjusters (4) fixed on the mobile front and rear cross bars,
- a additional telescopic jib (12/13) to reinforce the structure,
- two crossbar extensions at the front to increase its stability.

This model is able to pass over obstacles up to 2 m high.

MAXIMUM PERMITTED OVERHANG (A)

Working load limit (WLL)* per jib	PORTAFIX®		
	'A'	'B'	'C'
150 kg	1.60 m	2.00 m	2.00 m
300 kg	1.00 m	2.00 m	2.00 m
400 kg	0.80 m	2.00 m	2.00 m
500 kg	0.80 m	2.00 m	2.00 m
800 kg	-	1.20 m	1.20 m
1000 kg	-	1.20 m	-



*) "Working load limit" (WLL) should be taken to mean the nominal capacity of the hoist and not the actual suspended load. The loads indicated above apply to the capacities of our TIRAK® hoists (X-300, X-400, X-500, X-820, X-1030) or of the manual hoist SCAFOR® + SUBITO® 150 kg.

CALCULATION OF THE NUMBER OF COUNTERWEIGHTS

The tables below illustrate the number of counterweights needed for the different capacities (WLL) depending upon the overhang (A) and the distance (B) behind the fulcrum line. It is always better to have the maximum distance (B) behind the fulcrum line, depending of course of the space available, to reduce the number of

counterweights and consequently the wheel loads on the roof. Furthermore this makes assembly and dismantling much easier.

The total length of the telescopic jib (A + B) should not exceed 5.60 m.

SUBITO fitted with SCAFOR® special hoist. Maximum suspended load: 150 kg

Overhang A	m	Distance behind the fulcrum line B (m)												Ra max ¹ (kg)	Rb max ² (kg)	
		1,4	1,6	1,8	2,0	2,4	2,8	3,2	3,6	4,0	4,4	5,0	5,2			
without guy wire	0,4	4	3	2	2	1	1	0	0	0	0	0	0	0	190	170
	0,6	6	5	5	4	3	1	1	1	0	0	0		200	190	
	0,8	9	8	7	6	5	3	2	2	1	1			210	220	
	1,0	12	10	9	8	5	4	3	3	2	2			220	240	
	1,2	14	12	11	9	7	5	5	4	3	3			250	260	
	1,4	17	14	13	10	8	7	6	5	4				270	290	
with guy wire	1,6	19	17	14	12	10	8	7	6	5				290	300	
	1,8	22	18	16	14	12	10	8	7					320	330	
	2,0	24	21	18	16	13	11	9	8					340	340	

N = Number of counterweights **per jib**

Platforms fitted with TIRAK® X-300 hoists. Nominal capacity per hoist: F = 300 kg

Overhang A	m	Distance behind the fulcrum line B (m)												Ra max ¹ (kg)	Rb max ² (kg)
		1,4	1,6	1,8	2,0	2,4	2,8	3,2	3,6	4,0	4,4	5,0	5,2		
without guy wire	0,4	9	7	6	6	4	4	2	1	1	1	0	0	300	240
	0,6	14	12	11	9	7	5	4	4	3	2	2		310	290
	0,8	19	17	15	13	11	8	7	6	5	4			340	340
	1,0	24	21	19	17	12	10	9	8	7	6			380	390
with guy wire	1,2	30	26	23	20	16	13	11	10	9	8			420	460
	1,4	35	30	27	23	19	16	14	12	10				450	510
	1,6		35	30	27	22	19	16	14	12				470	490
	1,8			34	31	25	21	18	16					480	470
	2,0				34	28	24	21	18					490	460

N = Number of counterweights **per jib**

**Platforms fitted with TIRAK® X-400 hoists or SCAFOR® manual hoists.
Nominal capacity per hoist: F = 400 kg**

Overhang A	m	Distance behind the fulcrum line B (m)												Ra max ¹ (kg)	Rb max ² (kg)
		1,4	1,6	1,8	2,0	2,4	2,8	3,2	3,6	4,0	4,4	5,0	5,2		
without guy wire	0,4	12	10	9	8	6	5	3	3	2	2	1	1	360	270
	0,6	19	17	15	13	10	7	6	6	5	4	3		400	350
	0,8	26	23	20	18	15	11	10	8	7	6			440	430
with guy wire	1,0	33	29	25	23	17	15	13	11	10	9			490	500
	1,2		35	31	27	22	18	16	14	12	11			510	510
	1,4			36	31	26	22	19	17	15				530	510
	1,6				36	30	26	22	19	17				550	500
	1,8					34	29	25	22					550	470
	2,0						33	28	25					540	450
N = Number of counterweights per jib															

Platforms fitted with TIRAK® X-500 hoists. Nominal capacity per hoist: F = 500 kg

Overhang A	m	Distance behind the fulcrum line B (m)												Ra max ¹ (kg)	Rb max ² (kg)
		1,4	1,6	1,8	2,0	2,4	2,8	3,2	3,6	4,0	4,4	5,0	5,2		
without guy wire	0,4	16	13	12	10	8	7	5	4	3	3	2	2	430	320
	0,6	24	21	19	17	13	10	9	8	7	6	5		490	410
	0,8	33	29	25	23	19	15	13	11	10	9			540	510
with guy wire	1,0		36	32	29	22	19	16	14	13	11			570	530
	1,2				35	28	23	20	18	16	14			590	500
	1,4					33	28	24	21	19				590	470
	1,6						32	28	25	22				590	450
	1,8							32	28					590	450
	2,0								36	31				610	500
N = Number of counterweights per jib															

Platforms fitted with TIRAK® X-820 hoists. Nominal capacity per hoist: F = 800 kg

Overhang A	m	Distance behind the fulcrum line B (m)												Ra max ¹ (kg)	Rb max ² (kg)
		1,4	1,6	1,8	2,0	2,4	2,8	3,2	3,6	4,0	4,4	5,0	5,2		
with guy wire	0,4	26	22	20	18	14	12	9	8	7	6	5	5	670	450
	0,6		35	31	27	22	18	15	14	12	11	9		740	540
	0,8					31	25	22	19	17	15			750	460
	1,0						32	28	24	22	19			770	460
	1,2							34	30	27	24			790	480
N = Number of counterweights per jib															

Platforms fitted with TIRAK® X-1030 hoists. Nominal capacity per hoist: F = 1000 kg

Overhang A	m	Distance behind the fulcrum line B (m)												Ra max ¹ (kg)	Rb max ² (kg)
		1,4	1,6	1,8	2,0	2,4	2,8	3,2	3,6	4,0	4,4	5,0	5,2		
with guy wire	0,4	33	28	25	22	18	16	12	11	9	8	7	7	830	540
	0,6				35	28	23	20	18	16	14	12		880	530
	0,8						32	28	24	22	19			890	470
	1,0							35	31	28	25			920	500
	1,2									34	30			910	480
N = Number of counterweights per jib															

- 1) Ra max = dynamic reaction **per front wheel**, with the platform suspended (dynamic factor = 1,25). For final reaction **per front wheel** (operating load multiplied by a factor of 3): multiply the Ra max. values by approximately 2.2.
- 2) Rb max = maximum reaction **per rear wheel**, with the platform on the ground.