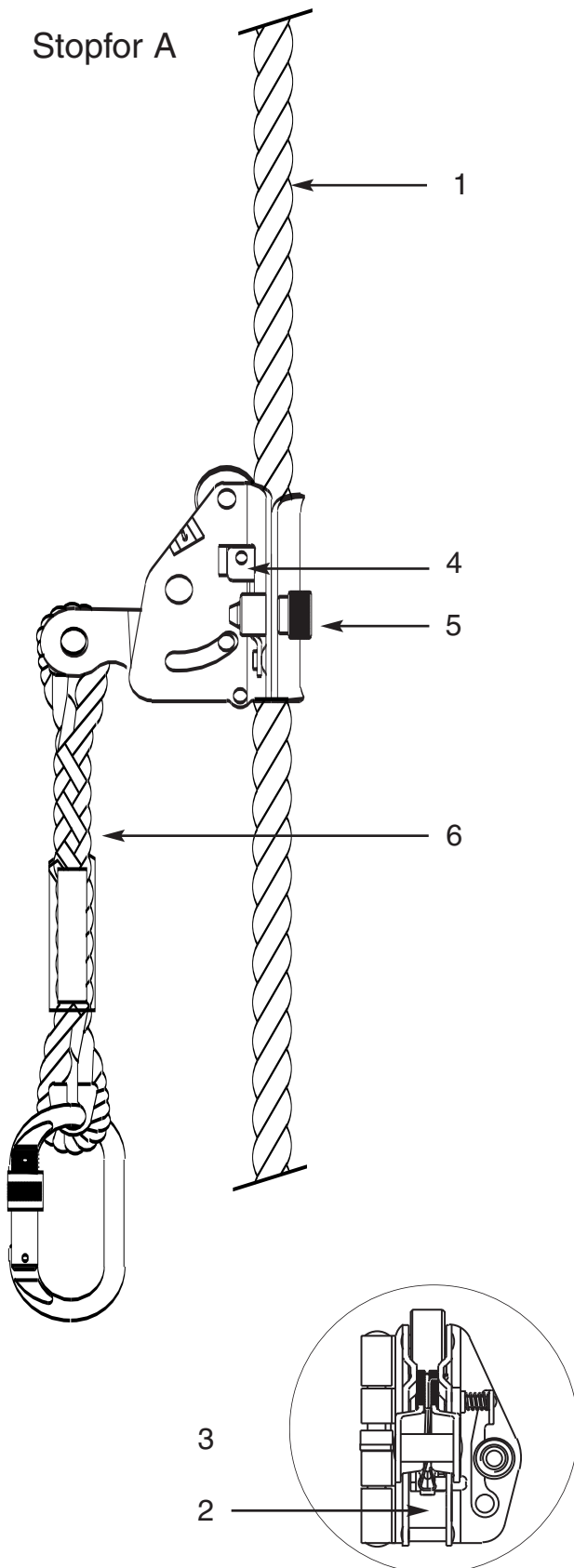


Stopfor A



Function

The Stopfor A is a component in a fall arrest system. It consists of a stranded rope (1), the sliding rope grab with automatic locking attached to the rope and a lanyard connecting the rope grab to the harness.

The Stopfor A has two tripping systems : the conventional system which operates by the swivelling of the operating lever, and the new "antipanic" system.

The Stopfor AP version has an additional locking function.

Description and Operating Principle

The Stopfor A allows the user maximum mobility while providing total safety for work on a vertical plane. In the event of a fall, two separate tripping systems engage the jaw (2) on the rope and stop the fall smoothly.

With the conventional tripping system, the operating lever is free and swivels by the action of the force applied by the user via the lanyard.

With the new "antipanic" system, if the lever is held open by the user when he falls, the roller detects the increase in speed and causes the jaw to close.

The Stopfor AP has a function which locks the grab on the rope (7). This allows the user to create an anchor point on the rope and work held by the rope.

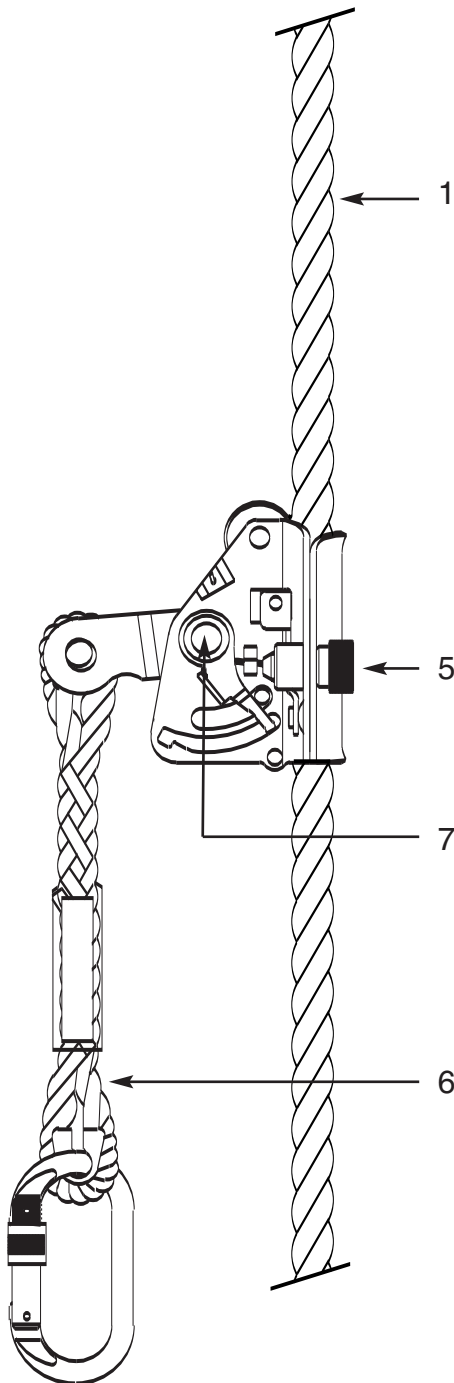
The Stopfor A has a hinge for inserting the rope in the device, which is held closed by a captive screw and locknut.

A safety device (3) prevents the unit from closing if the Stopfor A is installed upside down on the rope, with the directional arrow pointing downwards.

Characteristics

- Double safety system for opening and closing (press on locknut (4) and on serrated button (5) figure 1).
- Anti-panic device.
- Upside down mounting prevention system.
- Locking function for working held by rope.
- Directional arrow.
- Cannot be dismantled.

Stopfor AP



- Maintenance-free (an operating inspection before each use is adequate).
- Finish : bright stainless steel.
- Attachment of the rope grab to the D-ring on the back of the harness via built-in connector.
- Attachment of the rope to a strong anchor point (10kN), via an appropriate connector.

Models

- Stopfor A without lanyard (6)
- Stopfor A with 0.3m or 0.6m lanyard
- Stopfor AP without lanyard
- Stopfor AP with 0.3m or 0.6m lanyard
- Built-in connector : M10, M11 or M41

Technical specifications

Weight :

- Stopfor A without lanyard : 740g
- Stopfor A with lanyard : +/- 1Kg
- Stopfor AP without lanyard : 760g
- Stopfor AP with lanyard : +/- 1Kg

Dimensions : 105x110x75mm.

Complies with standard: NF EN 353-2 dated 05/93.

CE type examination certificate:

-APAVE no.0082/352/160/06/01/01.

Rope : PA reference 14 ISO 1140, blue thread

Spliced lanyard : PA reference 12 ISO 1140, blue thread.

Stopfor : AISI 430 cut stainless steel.

Plastic component : High density PE.

Connector complies with NF EN 362 dated 05/93.

Permissible attachments

- Anchorage device (EN 795).
- Flexible rope (ø 14 mm textile rope)
- Connectors (EN 362).
- Fall arrest harness (EN 361).