

The tralift® TT is designed for use in a variety of industries and capable of operating in dusty and outdoor environments. It is manufactured to the highest standards, meeting or exceeding requirements established by ANSI/ASME B30.16, as well as CSA and CE standards.

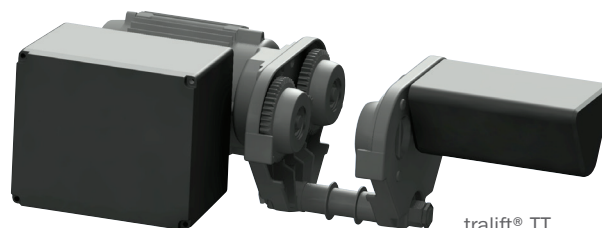
This electric chain hoist is manufactured without any sensitive electronics which minimizes the risk of operation interruptions. It is one of the quietest hoists on the market and its optimal cooling system allows for extended continuous use. The tralift® TT's ergonomic pendant control with 42 V low voltage ensures safe and convenient lifting operations and the modular design makes maintenance quick and easy, with no special tools required.

FEATURES

- Capacities from ¼ to 2 t
- Rated at H4 duty cycle as per HMI or ASME hoist duty
- Operating voltage 115 V and 230 V
- Safe with 42 V low voltage controls and emergency stop
- Protection IP 65
- Solid aluminum die-cast housing
- Polygon connections
- Case hardened and manganese phosphate profiled load chain for greater rust resistance – Unique to Tractel®
- Swivel load hook
- Adjustable low and high electrical limit switches
- Equipped with slip clutch that acts as overload protection
- Operating temperature range: 5°F to 122°F (-15°C to 50°C)



tralift® TT
electric chain hoist



tralift® TT
electric trolley

SINGLE PHASE HOISTS

MODEL FOR 10 FT. (3 M) LIFT	CAPACITY	FALLS	VOLTAGE 60 HZ	CURRENT (PHASE)	LIFTING SPEED 60 HZ	AMPERAGE	CHAIN SIZE	MOTOR	WEIGHT FOR 10 FT. (3 M) LIFT
TT0251N1151-10	0.25 t	1	115–60 Hz	1	32 ft./min (9.6 m/min)	16 A	3.75 x 10.75 mm	0.66 kW	52.9 lb. (24 kg)
TT0251L1151-10		1			16 ft./min (4.8 m/min)				
TT051L1151-10	0.5 t	1	115–60 Hz	1	16 ft./min (4.8 m/min)	16 A	3.75 x 10.75 mm	0.66 kW	52.9 lb. (24 kg)
TT0252N1151-10		2			16 ft./min (4.8 m/min)				
TT0252L1151-10		2			8 ft./min (2.4 m/min)				
TT052L1151-10	1 t	2	115–60 Hz	1	8 ft./min (2.4 m/min)	16 A	5.25 x 15 mm	0.66 kW	57.3 lb. (26 kg)

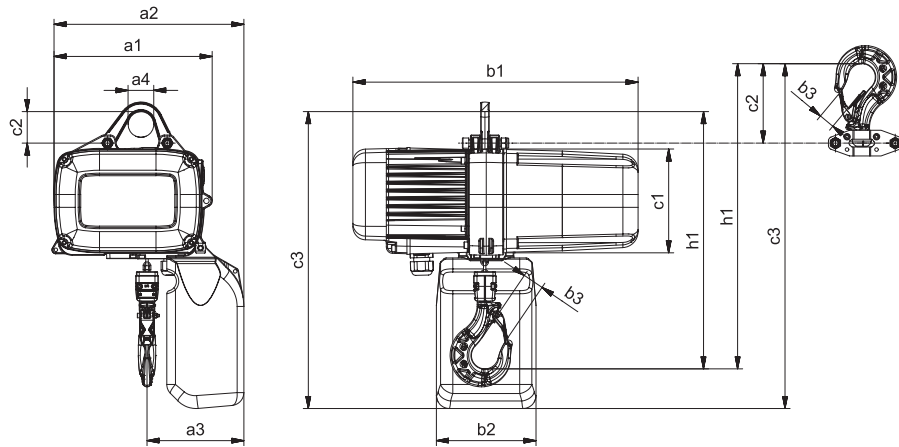
3 PHASE HOISTS

MODEL FOR 10 FT. (3 M) LIFT	CAPACITY	FALLS	VOLTAGE 60 HZ	CURRENT (PHASE)	LIFTING SPEED 60 HZ	AMPERAGE	CHAIN SIZE	MOTOR	WEIGHT FOR 10 FT. (3 M) LIFT
TT0251N2303-10	0.25 t	1	230–60 Hz	3	32 ft./min (9.6 m/min)	5.4 A	3.75 x 10.75 mm	0.86 kW	52.9 lb. (24 kg)
TT0251L2303-10		1			16 ft./min (4.8 m/min)	3.7 A		0.66 kW	
TT051N2303-10	0.5 t	1	230–60 Hz	3	32 ft./min (9.6 m/min)	5.4 A	5.25 x 15 mm	0.86 kW	57.3 lb. (26 kg)
TT051L2303-10		1			16 ft./min (4.8 m/min)	3.7 A	5.25 x 15 mm	0.66 kW	57.3 lb. (26 kg)
TT0252N2303-10		2			16 ft./min (4.8 m/min)	5.4 A	3.75 x 10.75 mm	0.86 kW	52.9 lb. (24 kg)
TT0252L2303-10		2			8 ft./min (2.4 m/min)	3.7 A	3.75 x 10.75 mm	0.66 kW	52.9 lb. (24 kg)
TT11N2303-10	1 t	1	230–60 Hz	3	32 ft./min (9.6 m/min)	12.4 A	7.45 x 23 mm	2.8 kW	136.7 lb. (62 kg)
TT11L2303-10		1			16 ft./min (4.8 m/min)	7.7 A	7.45 x 23 mm	1.8 kW	136.7 lb. (62 kg)
TT052N2303-10		2			16 ft./min (4.8 m/min)	5.4 A	5.25 x 15 mm	0.86 kW	57.3 lb. (26 kg)
TT052L2303-10		2			8 ft./min (2.4 m/min)	3.7 A	5.25 x 15 mm	0.66 kW	57.3 lb. (26 kg)
TT12N2303-10	2 t	2	230–60 Hz	3	16 ft./min (4.8 m/min)	12.4 A	7.45 x 23 mm	2.8 kW	136.7 lb. (62 kg)
TT12L2303-10		2			8 ft./min (2.4 m/min)	7.7 A		1.8 kW	

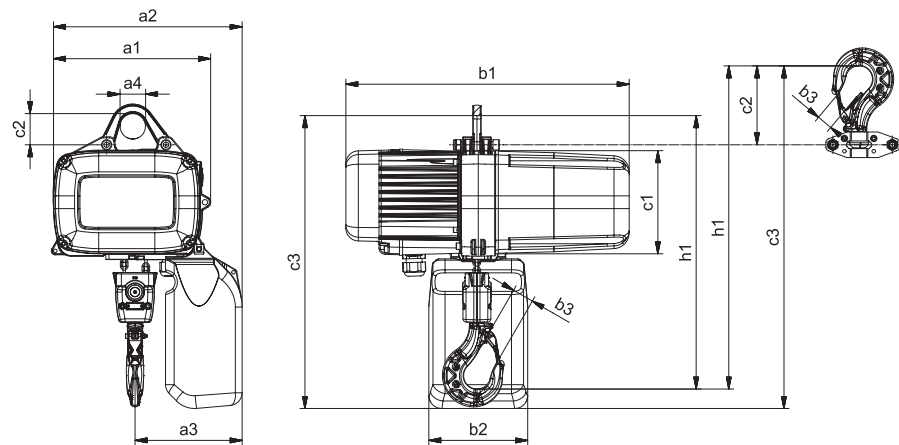
Standard: – Lifting height 10 ft. (3 m) / pendant cable 8 ft. (2.4 m)
 – Hook suspension
 Optional: – Lifting height of 20 ft. (6 m) / pendant cable 18 ft. (5.5 m)
 – Eye bolt suspension

HOISTS DIMENSIONS

1 FALL VERSION



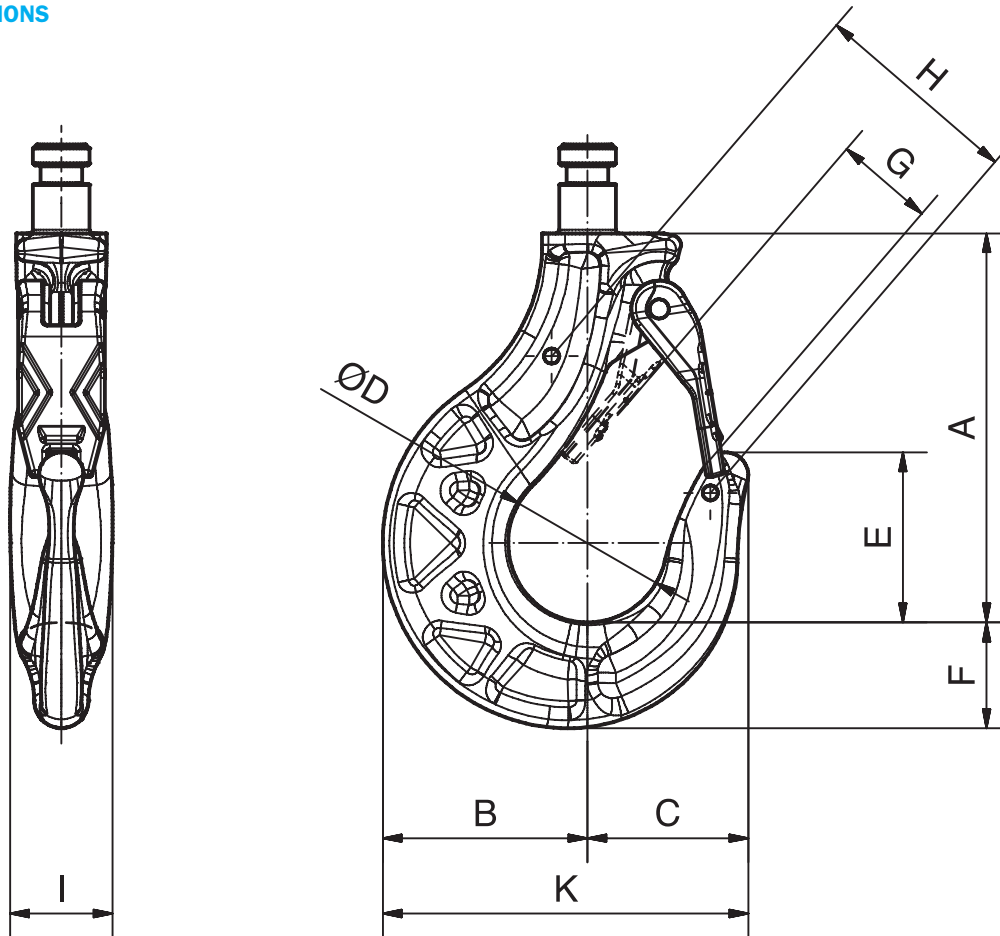
2 FALL VERSION



MODEL FOR 10 FT. (3 M) LIFT	HEADROOM EYE BOLT SUSPENSION	HEADROOM HOOK	A1	A2	A3	A4	B1	B2	B3	C1	C2 EYE	C2 HOOK	C3 EYE	C3 HOOK	H1 EYE	H1 HOOK
	in. (mm)	in. (mm)	in. (mm)	in. (mm)	in. (mm)	in. (mm)	in. (mm)	in. (mm)	in. (mm)	in. (mm)	in. (mm)	in. (mm)	in. (mm)	in. (mm)	in. (mm)	in. (mm)
tralift® TT 0.25 t, 1 fall	16 (406)	18.9 (480)	9.69 (246)	11.66 (296)	5.95 (151)	1.58 (40)	17.49 (444)	6.11 (155)	0.95 (24)	6.38 (162)	1.93 (49)	4.89 (124)	18.20 (462)	21.16 (537)	15.76 (400)	18.72 (475)
tralift® TT 0.25 t, 2 fall	17 (432)	19.9 (506)	9.69 (246)	11.66 (296)	6.23 (158)	1.58 (40)	17.49 (444)	6.11 (155)	0.95 (24)	6.38 (162)	1.93 (49)	4.89 (124)	18.20 (462)	21.16 (537)	17.02 (432)	19.94 (506)
tralift® TT 0.5 t, 1 fall	16.3 (414)	19.2 (488)	9.69 (246)	11.66 (296)	5.95 (151)	1.58 (40)	17.49 (444)	6.11 (155)	0.95 (24)	6.38 (162)	1.93 (49)	4.89 (124)	18.20 (462)	21.16 (537)	16.31 (414)	19.23 (488)
tralift® TT 0.5 t, 2 fall	17 (432)	19.9 (506)	9.69 (246)	11.66 (296)	6.90 (175)	1.58 (40)	17.49 (444)	6.11 (155)	0.95 (24)	6.38 (162)	1.93 (49)	4.89 (124)	18.20 (462)	21.16 (537)	17.85 (453)	20.80 (528)
tralift® TT 1 t, 1 fall	21.1 (535)	24.3 (617)	12.92 (328)	15.17 (385)	7.80 (198)	2.05 (52)	21.59 (548)	7.09 (180)	1.30 (33)	8.35 (212)	2.29 (58)	5.52 (140)	23.56 (598)	26.79 (680)	21.08 (535)	24.31 (617)
tralift® TT 1 t, 2 fall	17.8 (453)	20.8 (528)	12.92 (328)	15.17 (385)	9.26 (235)	2.05 (52)	21.59 (548)	7.09 (180)	1.30 (33)	8.35 (212)	2.29 (58)	5.52 (140)	23.56 (598)	26.79 (680)	23.44 (595)	26.63 (676)

Specifications are subject to change without notice. Images are for illustrative purposes only.

HOOK DIMENSIONS



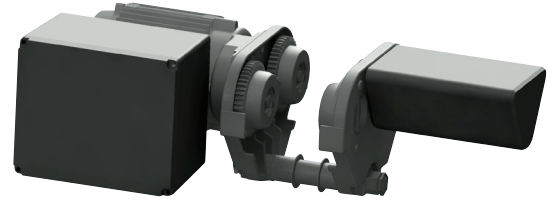
MODEL	A	B	C	D	E	F	G	H	I	K
	in. (mm)	in. (mm)	in. (mm)	in. (mm)	in. (mm)	in. (mm)	in. (mm)	in. (mm)	in. (mm)	in. (mm)
TT 025	4.06 (103)	2.13 (54)	1.69 (43)	1.65 (42)	1.77 (45)	1.14 (29)	0.94 (24)	2.13 (57)	1.06 (27)	3.82 (97)
TT 05	4.06 (103)	2.13 (54)	1.69 (43)	1.65 (42)	1.77 (45)	1.14 (29)	0.94 (24)	2.13 (57)	1.06 (27)	3.82 (97)
TT 1	4.69 (119)	2.6 (66)	2.13 (54)	1.97 (50)	2.09 (53)	1.42 (36)	1.26 (32)	3.03 (77)	1.42 (36)	4.72 (120)

TRALIFT® TT TROLLEYS

tralift® TT trolleys are simple in design to accommodate low headroom and allow for smooth transportation of loads. Side plates constructed with an integrated anti-derail system ensure maximum safety.

FEATURES

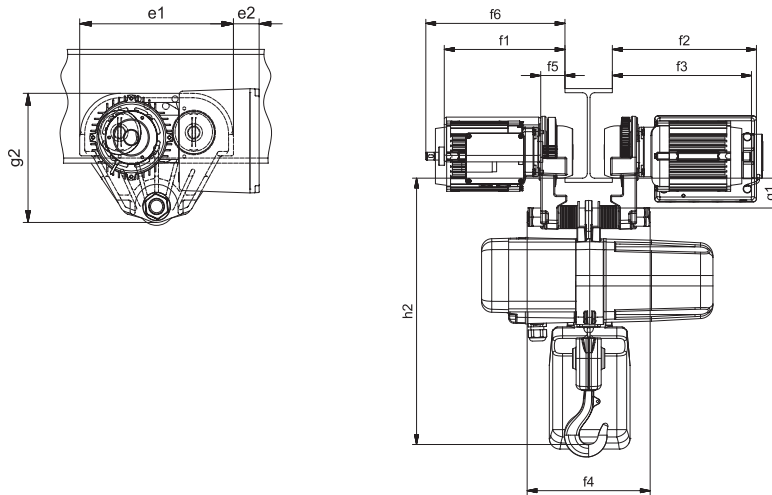
- Capacities of 1 and 2 t
- Operating voltage 115 V and 230 V
- Safe with 42 V low voltage controls and emergency stop
- Protection IP 55
- Operating temperature range: 5°F to 122°F (-15°C to 50°C)



MODEL	CAPACITY	CURRENT (PHASE)	VOLTAGE 60 HZ	TRAVEL SPEED 60 HZ	AMPERAGE	MOTOR	TORQUE	FLANGE WIDTH	DEAD WEIGHT
TE1N1151	1 t	1	115–60 Hz	47 ft./min (14.4 m/min)	3.9 A	0.5 kW	130–150 Nm	2–3 ⁷ / ₈ in.* (50–99 mm*)	59.4 lbs. (27 kg)
TE1N2303	1 t	3	230–60 Hz	47 ft./min (14.4 m/min)	1.7 A	0.3 kW	130–150 Nm	2–3 ⁷ / ₈ in.* (50–99 mm*)	59.4 lbs. (27 kg)
TE1S2303	1 t	3	230–60 Hz	78/24 ft./min (24/7.2 m/min)	1.3 A / 1.5 A	0.18 / 0.054 kW	130–150 Nm	2–3 ⁷ / ₈ in.* (50–99 mm*)	59.4 lbs. (27 kg)
TE2N2303	2 t	3	230–60 Hz	47 ft./min (14.4 m/min)	1.7 A	0.3 kW	130–150 Nm	3–5 ⁵ / ₈ in.** (76–139 mm**)	59.4 lbs. (27 kg)

*Optional extended bars available: – 2–5⁵/₈ in. (100–149 mm)
– 6–7¹/₈ in. (150–199 mm)
– 7⁷/₈–9¹/₈ in. (200–240 mm)
**Optional extended bars available: – 5¹/₂– 7¹/₈ in. (140–199 mm)
– 7⁷/₈–10³/₈ in. (200–259 mm)

TROLLEYS DIMENSIONS



CAPACITY	E1	E2	F1	F2	F3	F4	F5	G1	G2	H2 with...			
										TRALIFT® TT 0.25 T, 1 FALL	TRALIFT® TT 0.25 T, 2 FALL	TRALIFT® TT 0.5 T, 1 FALL	TRALIFT® TT 0.5 T, 2 FALL
										in. (mm)	in. (mm)	in. (mm)	in. (mm)
1 t	8,39 (215)	2,42 (62)	8,15 (209)	9,75 (250)	9,40 (241)	7,14 (183)	0,90 (23)	1,91 (49)	6,51 (167)	17,75 (455)	18,76 (481)	18,06 (463)	19,58 (502)
2 t	9,75 (250)	1,68 (43)	8,23 (211)	9,87 (253)	9,44 (242)	8,97 (230)	1,05 (27)	2,34 (60)	7,92 (203)	23,21 (595)	25,55 (655)	–	–