

DESCRIPTION

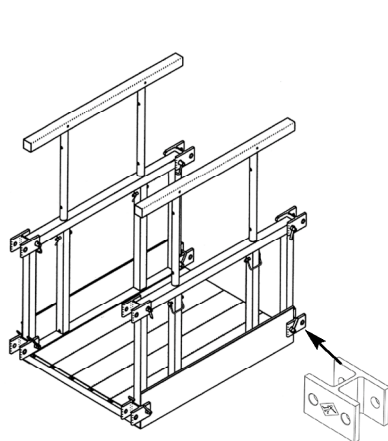
Modular Suspended Platforms are specifically designed for the temporary building maintenance market.

Platforms are available in 1' -8" (1/2m), 3' -3" (1m), 6' -6" (2m) and 9' - 9" (3m) lengths. The Skysafe® modular platforms are connected using "H" brackets and gravity lock pins. These "H" brackets provide the flexibility in the system allowing two or more units to be joined together, while maintaining the strength and stability. (see the configuration table)

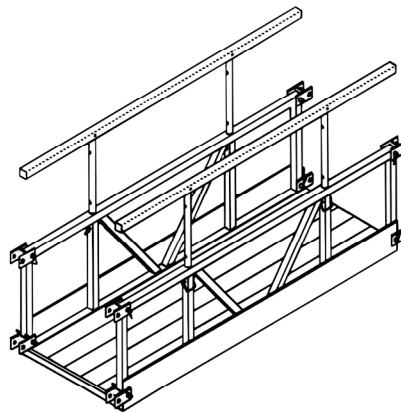
Additional Features of the Modular Platforms:

- 1' -8" (1/2m), 3'3" (1m), 6'6" (2m) and 9'9" (3m) standard sections
- Fewer loose pieces than other platforms means easier and quicker assembly
- High capacity – rated load is 1500lbs. at 30' (9m)

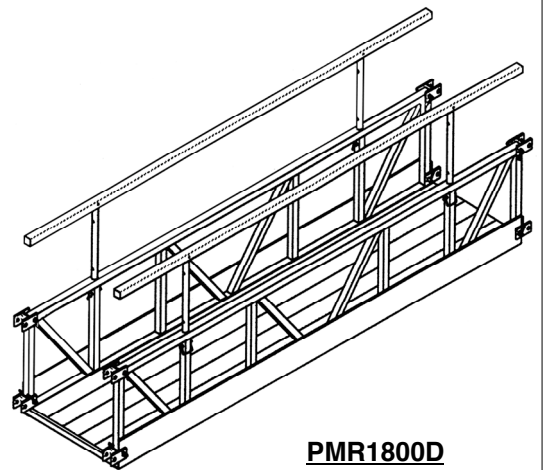
- Total length up to 59' (18m) with "C" Stirrups and 49' (15m) with end stirrups (see the loading configuration table)
- Angled corners can be attached for corners and unusual shapes
- Workcage Stirrup allows single point suspension with 3'3" (1m) or 6'6" (2m) platform sections.
- Lighter weight than other platforms
- Fully compatible with Skysafe knockdown Platforms (only when used with "U" frame)
- Adjustable height guardrails (front & rear reach either 36" or 42" to meet all safety code regulations)
- Stirrups fit Tirak®, Griphoist®, Scafor® and most other hoists available



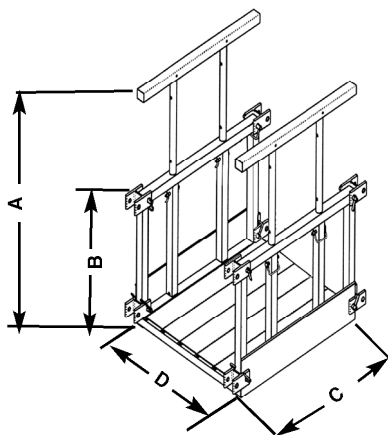
PMR1600D "H" - Bracket
PMR0025B



PMR1700D



PMR1800D

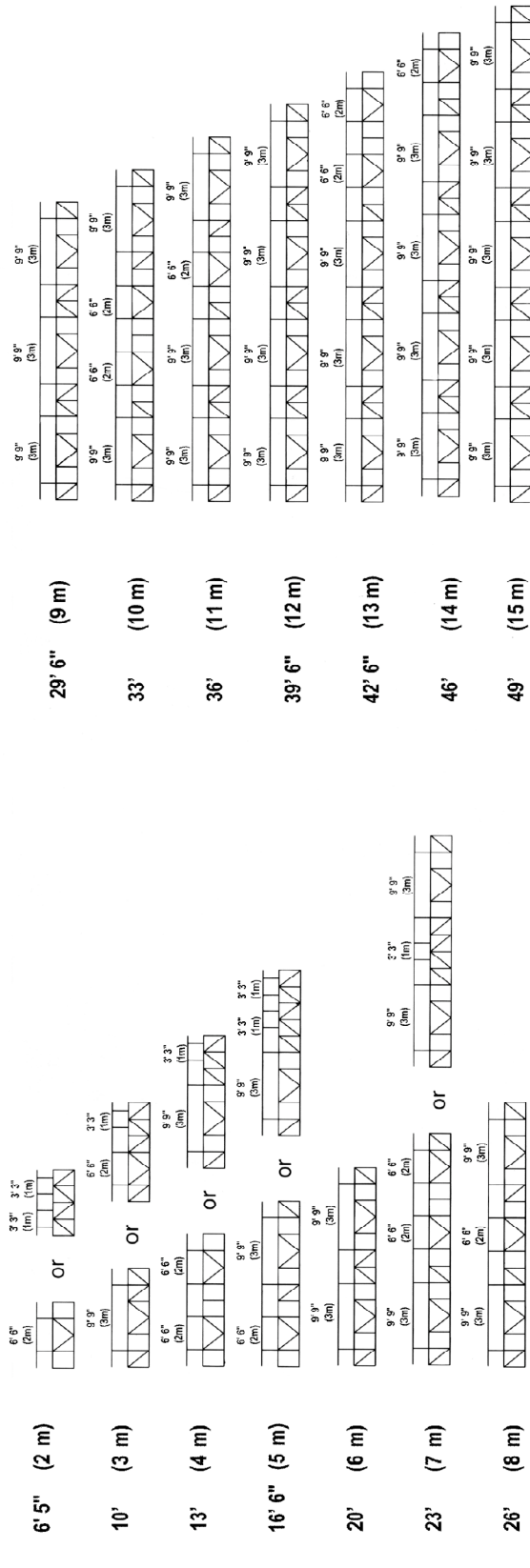


PMR1500D

Model Number	Description	Lbs.	kg	Length C
PMR1500D	1' -8" (1/2 m) Platform	36	16	20 1/2" (520mm)
PMR1600D	3' -3" (1 m) Platform	53	24	35 1/2" (900mm)
PMR1700D	6' -6" (2 m) Platform	92	42	76 1/4" (1937mm)
PMR1800D	9' -9" (3 m) Platform	132	60	115 1/2" (2934mm)

Length A 44 7/16" (1129mm) - Extended
Length B 26 1/2" (673mm) - Collapsed
Length D 27 3/4" (705mm)

CONFIGURATION CHART FOR PLATFORM WITH END STIRRUP

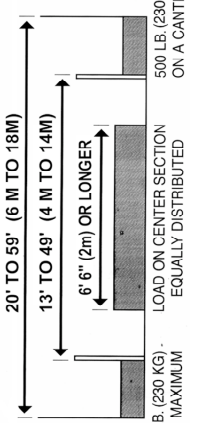


Platform Length ft. (m)	Load Rating with End Stirrups ES01 lb. (kg) ①	Load Rating with Intermediate Stirrups IS01 lb. (kg) ②	Intermediate Stirrups ft. (m) ③	Cantilever Length with Intermediate Stirrups ft. (m) ③	Cantilever Load Rating lb. (kg) ⑤
6' 5" (2 m)	750 (340)	NA	NA	NA	NA
9' 9" (3 m)	750 (340)	NA	NA	NA	NA
13' (4 m)	1000 (450)	NA	NA	NA	NA
16' 6" (5 m)	1250 (570)	NA	NA	NA	NA
20' (6 m)	1500 (680)	1500 (680)	3' 3" (1 m)	3' 3" (1 m)	500 (230)
23' (7 m)	1500 (680)	1500 (680)	3' 3" (1 m)	3' 3" (1 m)	500 (230)
26' (8 m)	1500 (680)	1500 (680)	3' 3" (1 m)	3' 3" (1 m)	500 (230)
29' 6" (9 m)	1500 (680)	1500 (680)	5' (1.5 m)	5' (1.5 m)	500 (230)
33' (10 m)	1250 (570)	1000 (450)	5' (1.5 m)	5' (1.5 m)	500 (230)
36' (11 m)	1000 (450)	1000 (450)	5' (1.5 m)	5' (1.5 m)	500 (230)
39' 6" (12 m)	1000 (450)	1000 (450)	6' 6" (2 m)	6' 6" (2 m)	500 (230)
42' 6" (13 m)	750 (340)	1000 (450)	6' 6" (2 m)	6' 6" (2 m)	500 (230)
46' (14 m)	750 (340)	750 (340)	6' 6" (2 m)	6' 6" (2 m)	500 (230)
49' (15 m)	750 (340)	750 (340)	6' 6" (2 m)	6' 6" (2 m)	500 (230)
52' 6" (16 m)	NA	NA	NA	NA	NA
56' (17 m)	NA	NA	NA	NA	NA
59' (18 m)	NA	NA	NA	NA	NA

Notes:

- End stirrups cannot be used beyond 49 ft. (15 M)
- Total load on platform including cantilever sections. Note that on 42.5, 46 and 49 ft. (13, 14 and 15 M) platforms, the load rating decreases if intermediate stirrups are replaced with end stirrups.
- Use two cantilever sections at all times as per configuration chart.
- Not applicable.
- Loading on cantilever sections must not exceed the overall platform load ratings.

NOTE: The rated load is to be located in the center of the platform and distributed over a length of at least 6' 6" (2m). If the load is offset towards a hoist, do not let it exceed the rated load of the hoist less half the self weight of the platform.



DESCRIPTION

Knockdown Suspended Platforms are specifically designed for the temporary building maintenance market.

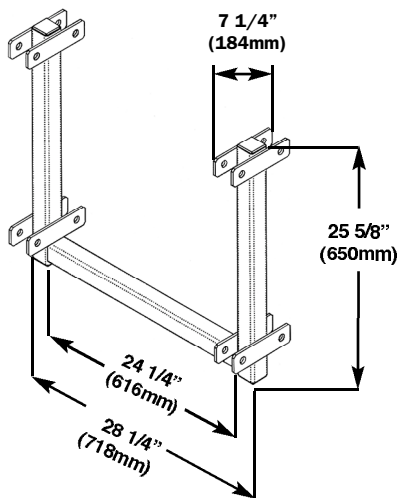
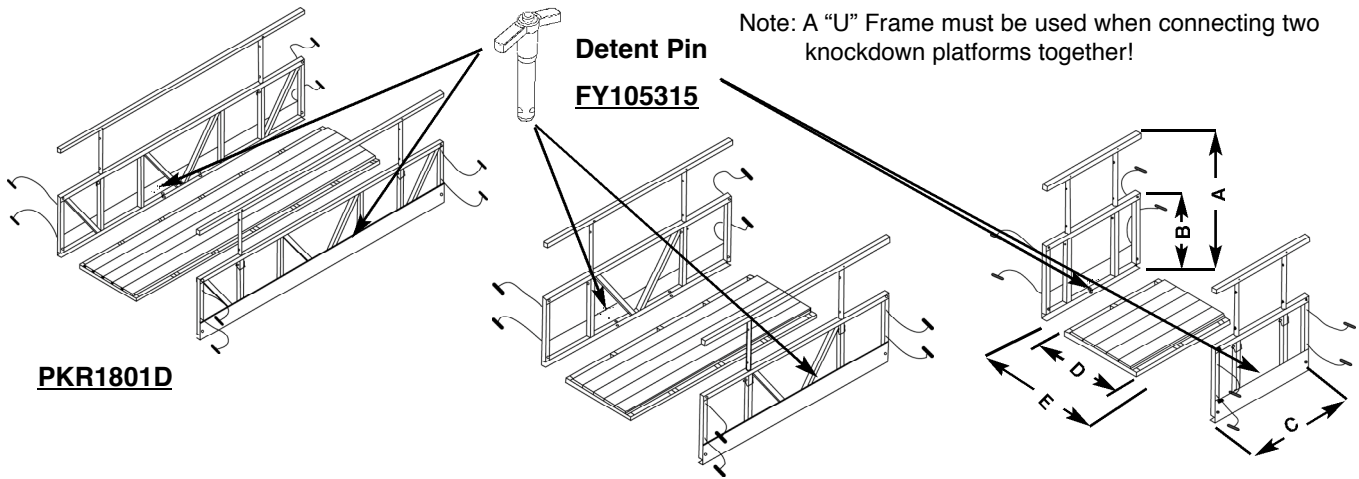
Platforms are available in 3' -3" (1m), 6' -6" (2m) and 9' - 9" (3m) lengths. The knockdown platform comes in three components, two side sections and a deck section. The side sections slip onto the deck section and then is connected with a single dentent pin. When joining multiple Skysafe® knockdown sections together a "U" frame connector must be used with gravity lock pins. This "U" Frame gives the platform stability and strength when two or more units are joined together. (see the configuration tables.)

Additional Features of the Knockdown Platforms:

- 3'3" (1m), 6'6" (2m) and 9'9" (3m) standard sections
- Fewer loose pieces than other knockdown platforms means easier and quicker assembly

- High capacity – rated at 1500lbs. at 30' (9m) (see the loading configuration table)
- Total length up to 59' (18m) with "C" Stirrups and 49' (15m) with end stirrups
- Angled corners can be attached for corners and unusual shapes
- Lighter weight than other knockdown platforms
- Fully compatible with existing Skysafe® Platforms (only when used with "U" frame)
- Adjustable height guardrails (front & rear reach either 36" or 42" to meet all safety code regulations)
- Saves storage space and transportation costs
- Stirrups fit Tirak®, Griphoist®, Scafor® and most other hoists available today
- Available from Boston, Los Angeles, Toronto, or Montreal

Note: A "U" Frame must be used when connecting two knockdown platforms together!

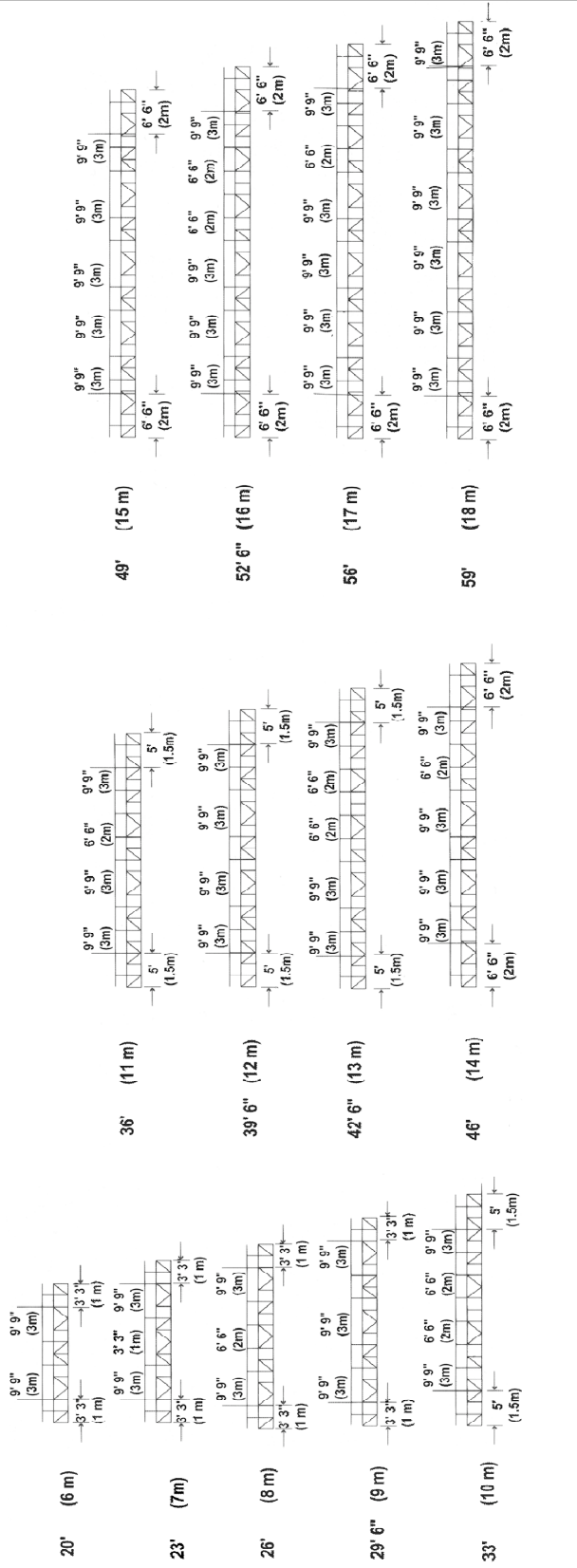


PMR0040C

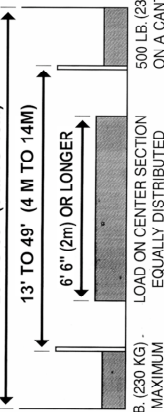
Model Number	Description	Lbs.	kg	Length C
PKR1601D	3'-3" (1 m) Platform	54	25	35 1/2" (900mm)
PKR1701D	6'-6" (2 m) Platform	95	43	76 1/4" (1937mm)
PKR1801D	9'-9" (3 m) Platform	140	64	115 1/2" (2934mm)
PMR0040C	"U" Frame	27	12	

Length A 44 7/16" (1129mm) - Extended
 Length B 26 1/2" (673mm) - Collapsed
 Length D 24 3/4" (629mm)
 Length E 27 3/4" (705mm)

CONFIGURATION CHART FOR PLATFORM WITH INTERMEDIATE STIRRUP



Platform Length ft. (m)	Load Rating with End Stirrups ES01 lb. (kg)	Load Rating with Intermediate Stirrups IS01 lb. (kg)	Cantilever Length with Intermediate Stirrups ft. (m)	Cantilever Load Rating lb. (kg)	Notes
6' 6" (2m)	750 (340)	NA	NA	NA	<p>Notes:</p> <ol style="list-style-type: none"> End stirrups cannot be used beyond 49 ft. (15 M) Total load on platform including cantilever sections. Note that on 42.5, 46 and 49 ft. (13, 14 and 15 M) platforms, the load rating decreases if intermediate stirrups are replaced with end stirrups. Use two cantilever sections at all times as per configuration chart. Not applicable. Loading on cantilever sections must not exceed the overall platform load ratings. <p>NOTE: The rated load is to be located in the center of the platform and distributed over a length of at least 6' 6" (2m). If the load is offset towards a hoist, do not let it exceed the rated load of the hoist less half the self weight of the platform.</p>
9' 9" (3m)	750 (340)	NA	NA	NA	
13' (4m)	1000 (450)	NA	NA	NA	
16' 6" (5m)	1250 (570)	NA	NA	NA	
20' (6m)	1500 (680)	1500 (680)	3' 3" (1m)	500 (230)	
23' (7m)	1500 (680)	1500 (680)	3' 3" (1m)	500 (230)	
26' (8m)	1500 (680)	1500 (680)	3' 3" (1m)	500 (230)	
29' 6" (9m)	1500 (680)	1500 (680)	3' 3" (1m)	500 (230)	
33' (10m)	1250 (570)	1250 (570)	5' (1.5m)	500 (230)	
36' (11m)	1000 (450)	1000 (450)	5' (1.5m)	500 (230)	
39' 6" (12m)	1000 (450)	1000 (450)	5' (1.5m)	500 (230)	
42' 6" (13m)	750 (340)	1000 (450)	5' (1.5m)	500 (230)	
46' (14m)	750 (340)	1000 (450)	6' 6" (2m)	500 (230)	
49' (15m)	750 (340)	1000 (450)	6' 6" (2m)	500 (230)	
52' 6" (16m)	NA	750 (340)	6' 6" (2m)	500 (230)	
56' (17m)	NA	750 (340)	6' 6" (2m)	500 (230)	
59' (18m)	NA	750 (340)	6' 6" (2m)	500 (230)	



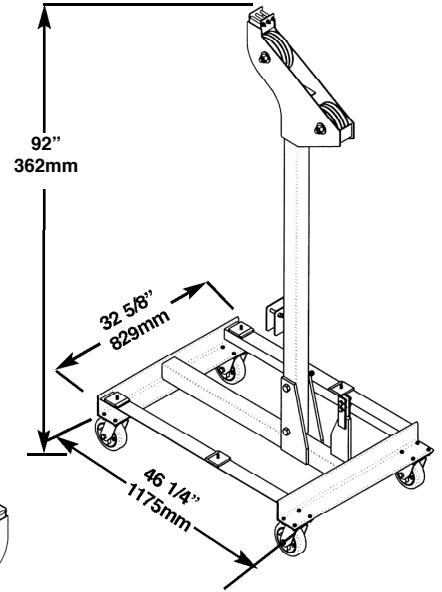
Workcage and Workcage Stirrups

The Workcage Stirrup has been designed for use with the 3'-3" (1m) or the 6'-6" (2m) Modular Suspended Platform (with the End Frames attached) as a workcage. The Workcage Stirrup uses only a single hoist, giving you the flexibility of a platform that is, stable and easy to operate.

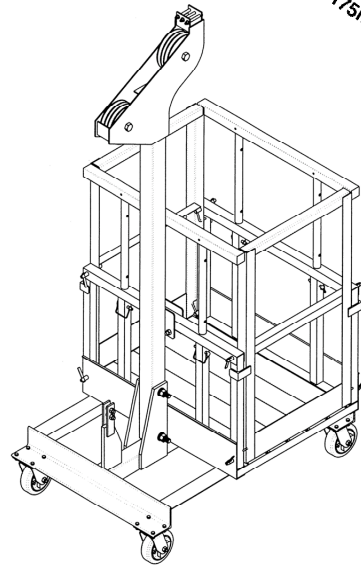
The workcage allows access for many applications including building inspection, maintenance and window cleaning, providing extra flexibility that a Bosun Chair just can't offer.

Additional features of the Workcage:

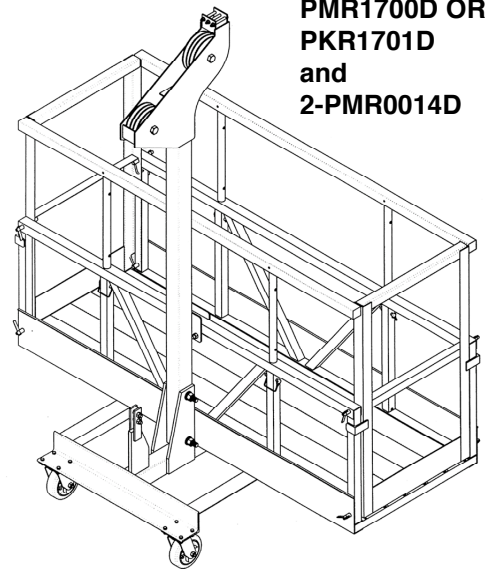
- Available in 3'-3" (1m) and 6'-6" (2m) sizes
- Rated load of 500lbs.
- Adjustable height guardrails (front & rear) reach either 36" or 42" to meet all safety code regulations.
- Mast is removable for transportation and difficult access areas
- Secondary wire rope sheaves are standard
- Heavy-duty casters 6" dia.
- Stirrups fit Tirak®, and most other hoists available today
- Available from Los Angeles, Boston, Toronto and Montreal



PMR0720D



PMR0720D & PMR1600D OR PKR1601D and 2-PMR0014D



PMR0720D, PMR1700D OR PKR1701D and 2-PMR0014D

	Platform weight with Workcage Stirrup PMR0720D including hoist			
Nominal Platform Length ft. – in (m)	Rigid Modular Sections Lbs. (kg)*	Knockdown Modular Sections Lbs. (kg)*	Rated Load of Platform Lbs. (kg)	
3'-3" (1m)	384 (175)	385 (175)	500 (225)	
6'-6" (2m)	423 (192)	426 (194)	500 (225)	

*Hoist weight assumed to be 125 lb. (57 kg) ea. one hoist per platform
 For self-weight of the workcage deduct 125 lbs. (57kg).
NOTE: The rated load should be equally distributed across the platform.

Model Number	Description	Lbs.	Kg.
PMR0720D	Workcage Stirrup	188	85
PMR1600D	3'-3" Modular Suspended Platform	53	24
PMR1601D	3'-3" Knockdown Platform	54	25
PMR1700D	6'-6" Modular Suspended Platform	92	42
PMR1701D	6'-6" Knockdown Platform	95	43
PMR0014D	End Frame (2 required)	9	4

Intermediate Stirrups

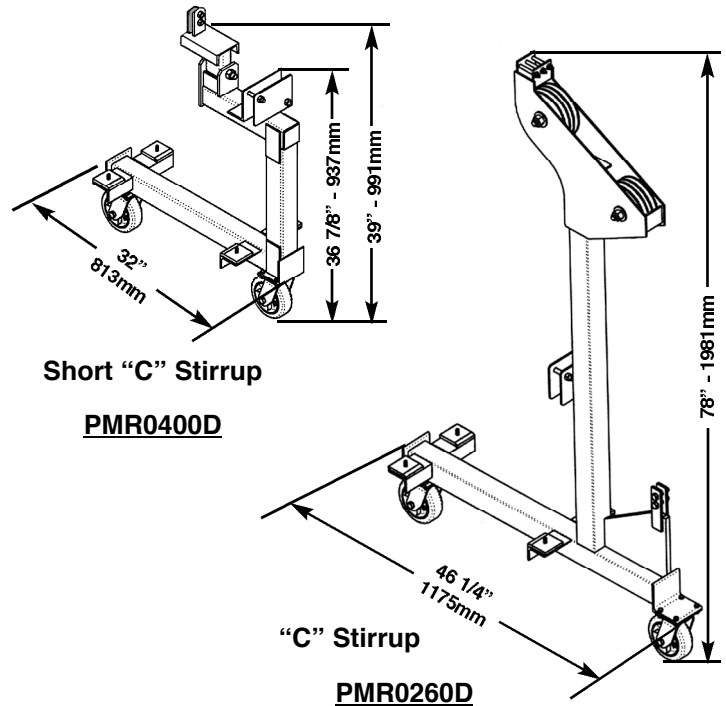
Intermediate Stirrups for the Modular Suspended Platforms and Knockdown Platforms, have been designed for longer platform lengths, higher load capacities and greater accessibility to corners of buildings. They are fully adjustable anywhere up to 6'-6" from the end of the platform(see table below). Each come with 6" heavy-duty casters for easy mobility of the platform once assembled.

Both Intermediate Stirrups are available for the Modular Platforms and the Knockdown Platforms and require few tools for assembly. They easily bolt onto the bottom of the platform and at the center guardrail.

The "C" Stirrup is located behind the platform out of the workers way, providing full access and maximum stability of the platform. The Short "C" Stirrup keeps the hoist low for jobs where one needs to work close to the rigging support.

A Platform with Intermediate Stirrups can consist of Modular sections of 9'-9" (3m), 6'-6" (2m) and 3'-3" (1m) lengths. When using Intermediate Stirrups, platform lengths can range from 20' (6m) to 59' (18m).

Note: Only use 9'-9" (3m) sections on both ends of any platform using Intermediate Stirrups.



LOAD RATINGS FOR VARIOUS PLATFORM LENGTHS USING INTERMEDIATE STIRRUPS

Nominal Platform Length including Cantilevered Ends ft. – in (m)	Platform weight with Short "C" Stirrup PMR0400D including hoists		Platform weight with "C" Stirrup PMR0260D including hoists		Rated Load of the Platform lbs. (kg)**	Range of adjustment on Cantilever Section ft. – in (m)
	Rigid Modular Sections lbs. (kg)*	Knockdown Modular Sections lbs. (kg)*	Rigid Modular Sections lbs. (kg)*	Knockdown Modular Sections lbs. (kg)*		
20'-0" (6)	704 (320)	747 (340)	754 (343)	797 (362)	1500 (680)	up to 3'-3" (1)
23'-0" (7)	756 (344)	824 (375)	806 (366)	874 (397)	1500 (680)	up to 3'-3" (1)
26'-0" (8)	796 (362)	869 (395)	846 (385)	919 (418)	1500 (680)	up to 3'-3" (1)
29'-6" (9)	836 (380)	914 (415)	886 (403)	964 (438)	1500 (680)	up to 3'-3" (1)
33'-0" (10)	888 (404)	991 (450)	938 (426)	1041 (473)	1250 (570)	up to 5'-0" (1.5)
36'-0" (11)	928 (422)	1036 (471)	978 (445)	1086 (494)	1000 (450)	up to 5'-0" (1.5)
39'-6" (12)	968 (440)	1081 (491)	1018 (463)	1131 (514)	1000 (450)	up to 5'-0" (1.5)
42'-6" (13)	1020 (464)	1158 (526)	1070 (486)	1208 (519)	1000 (450)	up to 5'-0" (1.5)
46'-6" (14)	1060 (482)	1203 (547)	1110 (505)	1253 (570)	1000 (450)	up to 6'-6" (2)
49'-0" (15)	1100 (500)	1248 (567)	1150 (523)	1298 (590)	1000 (450)	up to 6'-6" (2)
52'-6" (16)	1152 (524)	1325 (602)	1202 (546)	1375 (625)	750 (340)	up to 6'-6" (2)
56'-0" (17)	1192 (542)	1370 (623)	1242 (565)	1420 (645)	750 (340)	up to 6'-6" (2)
59'-0" (18)	1232 (560)	1415 (643)	1282 (583)	1465 (666)	750 (340)	up to 6'-6" (2)

*Hoist weight assumed to be 125 lb. (57 kg) ea., two hoists per platform

For self-weight of the platform deduct 250 lbs. (114kg).

** This weight includes U-Frame connector, deduct 27 lbs. (12kg) if not connecting two units together

Model Number	Description	Lbs.	Kg.
PMR0400D	Short "C" Stirrup	86lbs.	(39kg)
PMR0260D	"C" Stirrup	111 lbs.	(51kg)

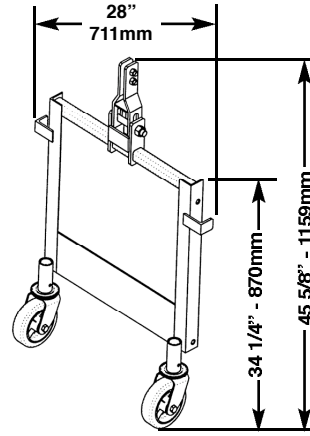
End Stirrups

End Stirrups for the Modular Suspended Platforms and Knockdown Platforms, have been designed to be lightweight, easy to install and mobile. Both stirrups fit the Tirak® and most other hoists available today. Supplied with 2 - 1/2" Grade 5 bolts, nuts and lock washers.

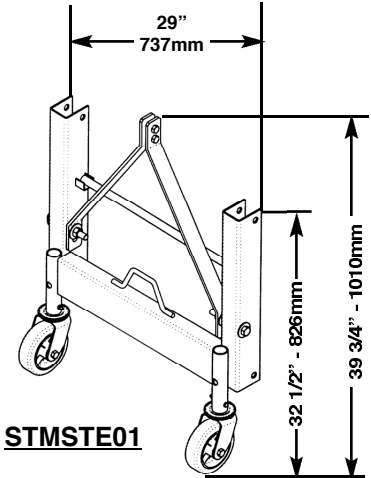
Both End Stirrups require no tools for assembly onto the platforms. Just align the Stirrup pin holes to the platform and insert the 4-gravity lock pins from inside the platform. Once assembled the heavy-duty 6" casters provide easy mobility of the platform.

A Platform with End Stirrups can consist of Mod sections of 9'-9" (3m), 6'-6" (2m) or 3'-3" (1m), and lengths can range from 6'-6" (2m) to 49' (15m).

Both end stirrups have a park position so the hoist can remain vertical with slick wire rope for easier rigging and de rigging.



PMR0331D



STMSTE01

LOAD RATINGS FOR VARIOUS PLATFORM LENGTHS USING END STIRRUPS

Nominal Platform Length ft. – in (m)	Platform weight with Stagemod End Stirrup STMSTE01 including hoists		Platform weight with Universal End Stirrup PMR0331D including hoists		Rated Load of the Platform lbs. (kg)**
	Rigid Modular Sections lbs. (kg)*	Knockdown Modular Sections lbs. (kg)*	Rigid Modular Sections lbs. (kg)*	Knockdown Modular Sections lbs. (m)*	
6'-6" (2)	452 (205)	495 (225)**	434 (197)	477 (217)**	750 (340)
9'-9" (3)	492 (224)	536 (244)**	474 (215)	518 (235)**	750 (340)
13'-0" (4)	544 (247)	577 (262)	526 (239)	559 (254)	1000 (450)
16'-6" (5)	584 (265)	622 (283)	566 (257)	604 (275)	1250 (570)
20'-0" (6)	624 (284)	667 (303)	606 (275)	649 (295)	1500 (680)
23' (7)	676 (307)	744 (338)	658 (299)	726 (330)	1500 (680)
26'-0" (8)	716 (325)	789 (359)	698 (317)	771 (350)	1500 (680)
29'-6" (9)	756 (344)	834 (379)	738 (335)	816 (371)	1500 (680)
33'-0" (10)	808 (367)	911 (414)	790 (359)	893 (406)	1250 (570)
36'-0" (11)	848 (385)	956 (435)	830 (377)	938 (426)	1000 (450)
39'-6" (12)	888 (404)	1001 (455)	870 (395)	983 (447)	1000 (450)
42'-6" (13)	940 (427)	1078 (490)	922 (419)	1060 (482)	750 (340)
46'-6" (14)	980 (445)	1123 (510)	962 (437)	1105 (502)	750 (340)
49'-0" (15)	1020 (464)	1168 (531)	1002 (455)	1150 (523)	750 (340)

*Hoist weight assumed to be 125 lb. (57 kg) ea., two hoists per platform
For self-weight of the platform deduct 250 lbs. (114kg).

** This weight includes U-Frame connector, deduct 27 lbs. (12kg) if not connecting two units together

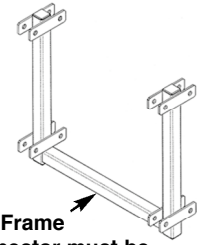
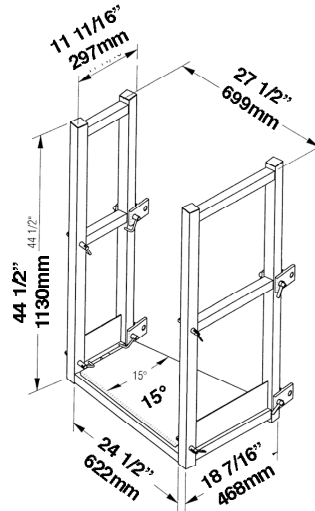
Model Number	Description	Lbs.	Kg.
STMSTE01	Stagemod End Stirrup	55	25
PMR0331D	Universal End Stirrup	46	21



Corner Sections

Corner Sections for the Modular Suspended Platforms and Knockdown Platforms, are lightweight, and add flexibility to platform layouts. Designed and engineered for platform layouts where interior or exterior corners have to be considered. Five angles: 15°, 30°, 45°, 60° and 90° are available to suit any application. Corners units can also be connected together adding to their versatility.

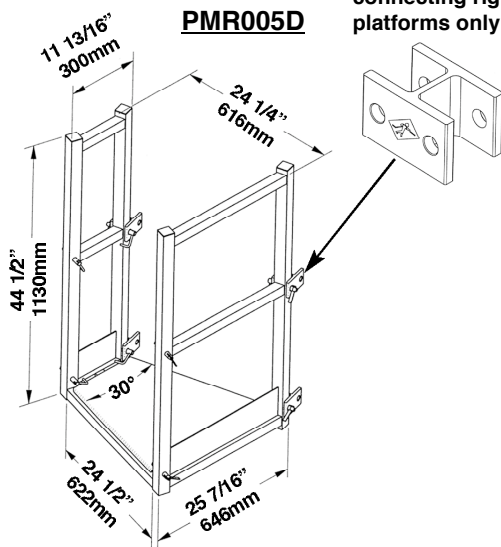
Corner sections require no tools for assembly onto Skysafe® suspended platforms. For the regular modular platforms they connect by four "H" brackets (PMR0025B) and gravity lock pins, the knockdown platforms are connected by the "U" Frame bracket (PMR0040C).



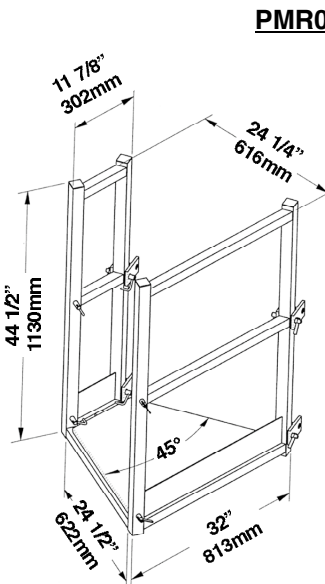
"U" Frame connector must be used when connecting corner platforms to a knockdown platform.

PMR0040C

"H" bracket for connecting rigid modular platforms only!

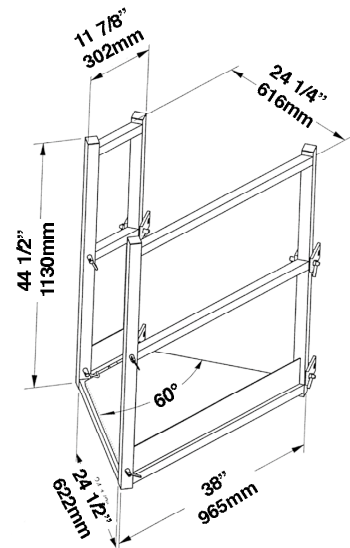


PMR005D

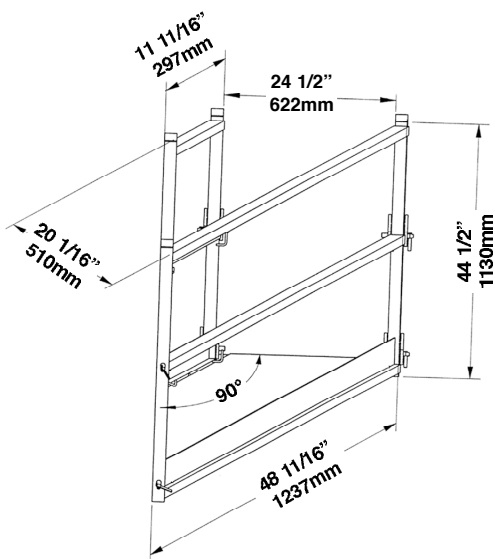


PMR004D

PMR006D



PMR007D

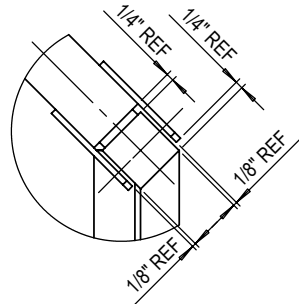


PMR008D

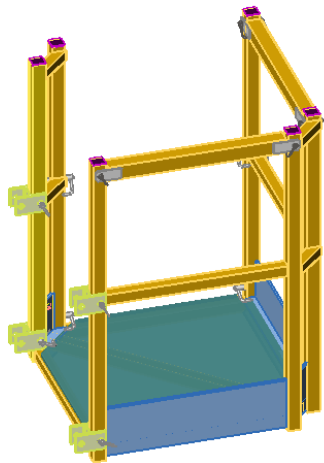
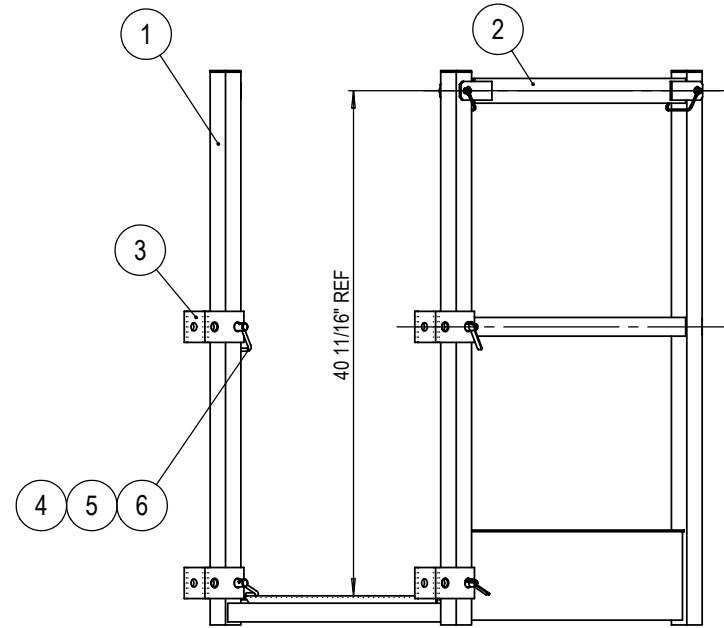
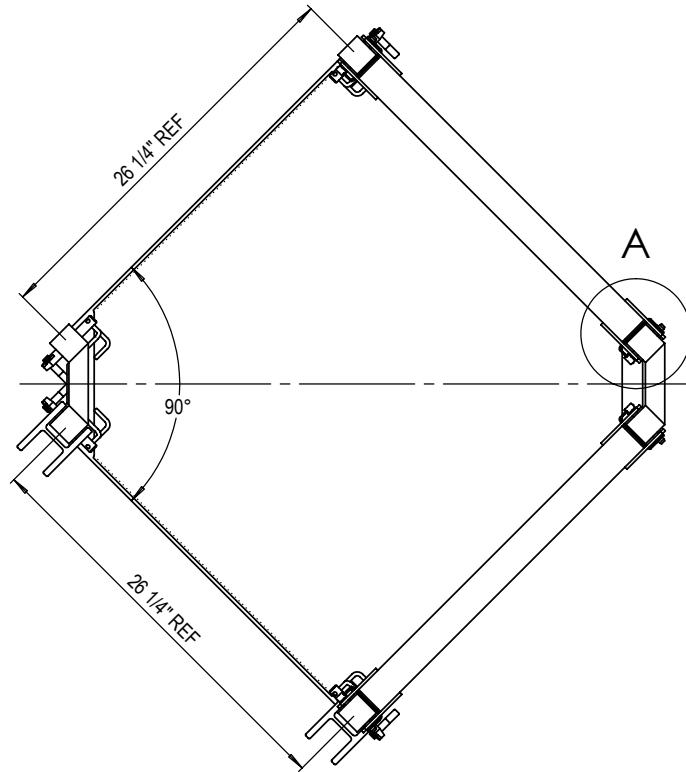
Model #	Description	Lbs.	Kg.
PMR004D	15° Corner Section	36	16
PMR005D	30° Corner Section	38	17
PMR006D	45° Corner Section	41	19
PMR007D	60° Corner Section	42	19
PMR008D	90° Corner Section	45	20
PMR0040C	"U" Frame for Knockdown	27	12

Different corner platform configurations are available upon request.

REV	AMENDMENTS	BY	CHK	DATE
B	REDESIGNED	BT	LB	Oct-04
C	ITEM #5 CHANGED	BT		Jan-05




DETAIL A
SCALE 1 : 4



6	HCN009402	SLEEVE OVAL 3/32 NICOPRESS		AL		8
5	TP-0002	LANYARD TETHER 14\"/>				

CAPACITY	
CONNECTION	REF.DWG. #:
REMARKS	
GENERAL	
REMARKS	

<input type="checkbox"/> MILL FINISH <input type="checkbox"/> HOT DIP GALV. <input type="checkbox"/> CADMIUM PLTD. <input type="checkbox"/> SAND BLASTED <input type="checkbox"/> PRIME <input type="checkbox"/> PAINTED <input type="checkbox"/> CLR: . No: . <input type="checkbox"/> SEE U.L.D.		UNLESS OTHERWISE NOTED DIMENSIONS ARE IN INCHES TOLERANCES ON: FRACTIONS +/- 1/16 DECIMALS +/- 0.015 ANGLES +/- 1 DEG	REPORT ALL ERRORS TO ENGINEERING -- DO NOT SCALE DRAWING  Swingsstage Division TITLE: PMR 90 EXTENDED CORNER SECT ASSY	
APPROVALS	DATE	UPPER LEVEL DWGS.	PART No.	REV.
DRAWN: BT	06/2004	-		
CHECKED:		PROJECT NO. STD	PMREC08D	C
APPROVED:		TOTAL WT: 62 Lbs		