

corso™

Mounting clamps for man riding application
Trägerklemmen für den Personentransport
Pinces poutrelles pour le transport des personnes
Dragerklemmen voor personentransport



00188/0

EN

Original Operation and
Installation Manual

FR

Manuel d'installation et de
manutention original

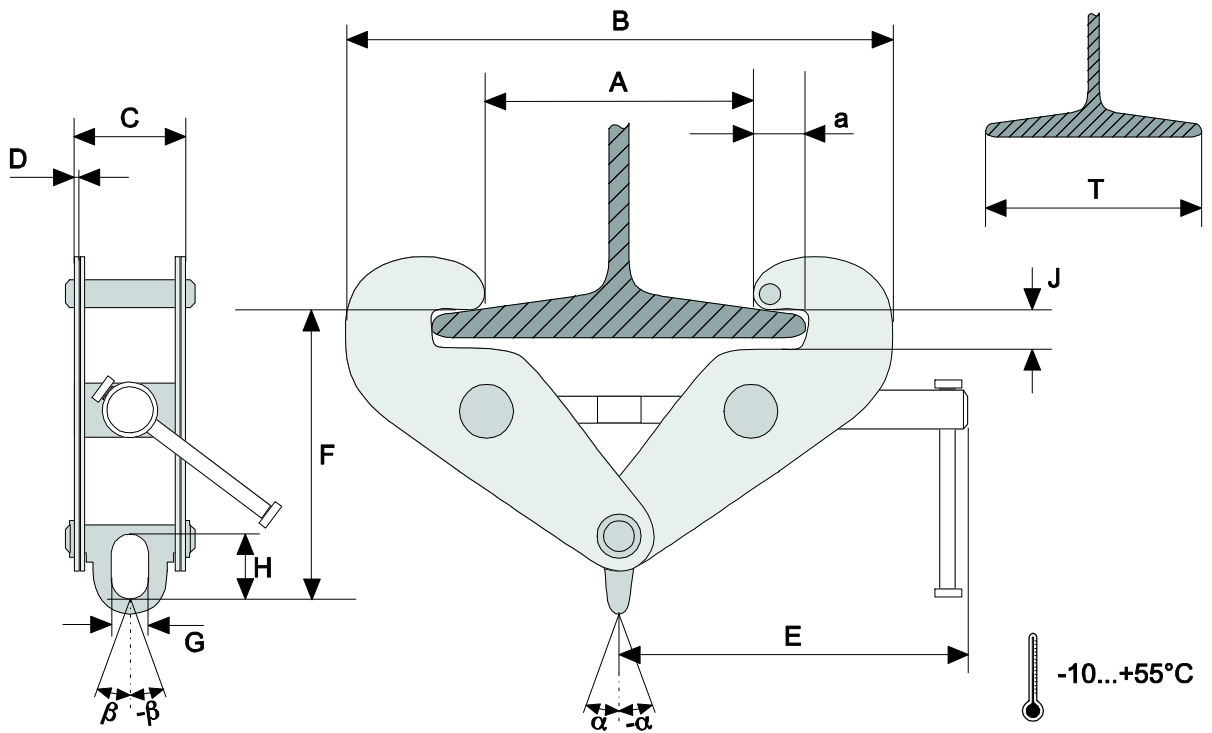
DE

Original-Montage- und
Betriebsanleitung

NL

Originele montage- en
bedieningshandleiding

Technical Data / Technische Daten / Données techniques / Technische gegevens



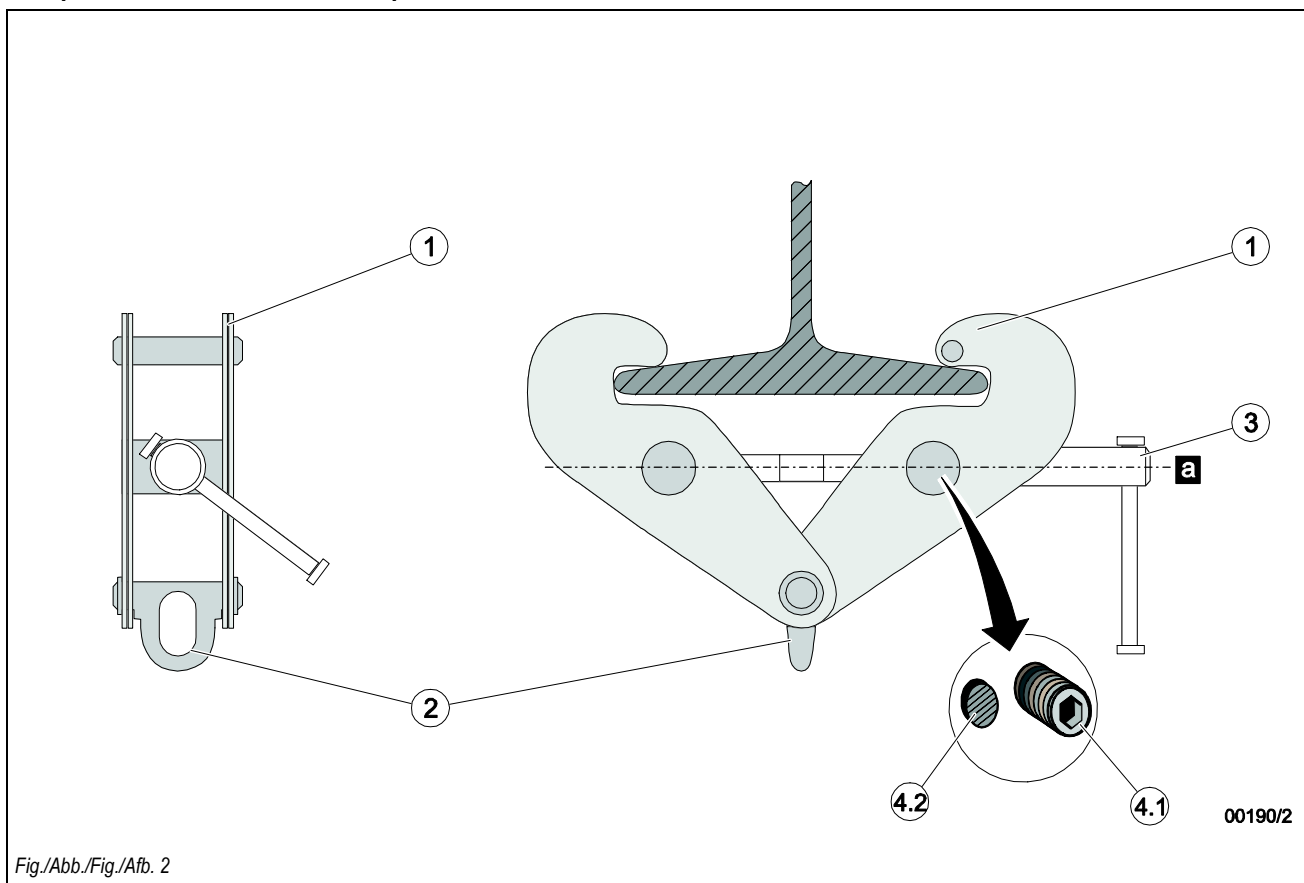
00189/2

Fig./Abb./Fig./Afb. 1

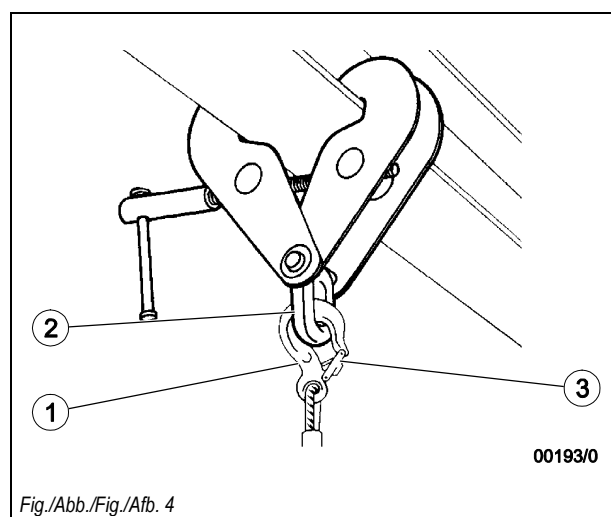
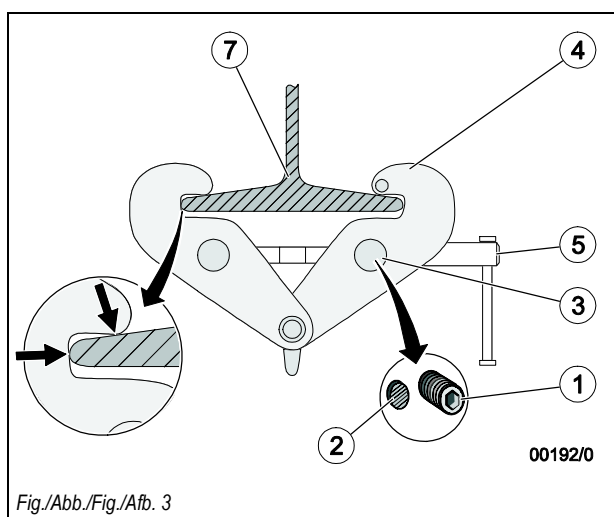
	Maximum working load / Maximale Betriebslast / Capacité de charge maximale / Maximale bedrijfslast	Weight / Gewicht / Poids / Gewicht	T	A	a	B	C	D	E	F	G	H	J	α ; β
LT-1B	1	4,80	75...230	220	25	180...380	76	4	210	120...175	30	45	24	$\alpha=\pm 10$; $\beta=0$
LT-2B	2	5,60	75...230	220	25	180...380	84	6	210	130...180	30	45	24	$\alpha=0$; $\beta=\pm 10$
LT-3B	2,5	11,0	80...330	320	23	235...490	115	8	275	175...250	45	60	39	$\alpha=\pm 5$; $\beta=\pm 5$
LT-5B	3	12,3	80...330	320	23	253...490	138	10	245	140...220	45	60	39	$\alpha=\pm 5$; $\beta=0$
LT-10B	7	21,0	80...320	310	21	255...480	160	12	275	250...300	60	90	40	$\alpha=0$; $\beta=\pm 5$ $\alpha=\pm 5$; $\beta=\pm 5$

Table/Tabelle/Tableau/Tabel 1

Components / Bestandteile / Composants / Bestanddelen



- EN
- DE
- FR
- NL

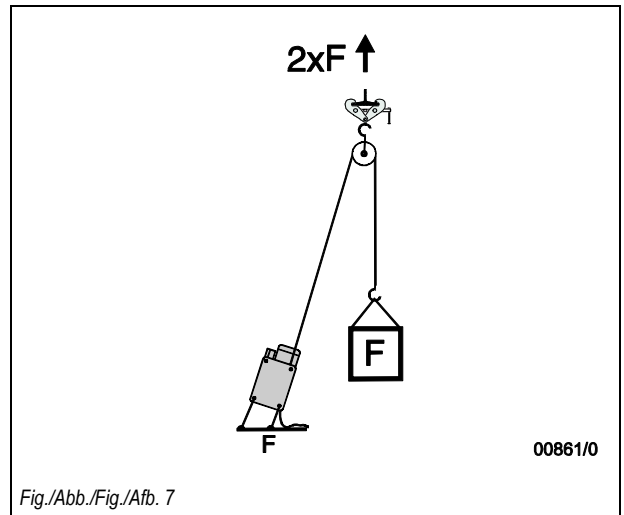
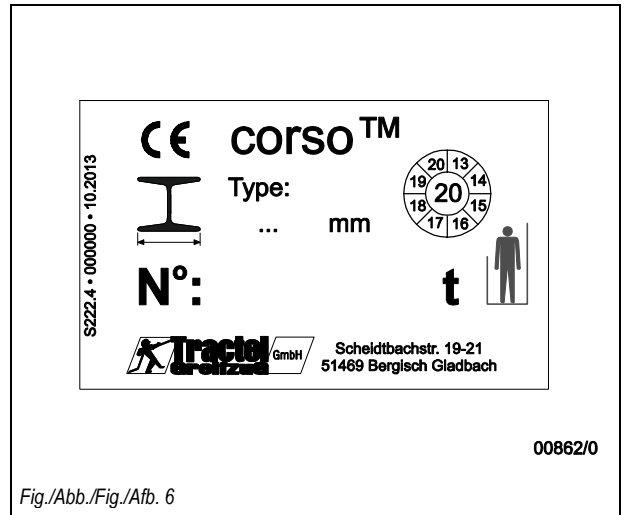
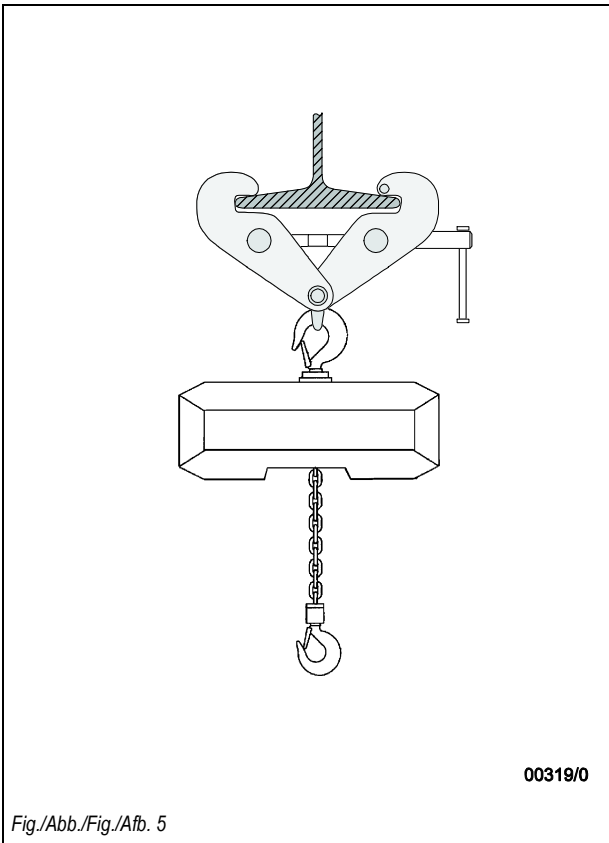


EN

DE

FR

NL



Contents

1	General	2	14	Inspection and logbook	10
1.1	Terms and abbreviations used in this manual	2	14.1	Commissioning tests (carried out by a specialist)....	10
1.2	Symbols used in this manual	3	14.2	Troubleshooting (to be undertaken by the operator, a specialist or authorized maintenance personnel)	10
2	Safety	3	14.3	Annual safety inspection (to be undertaken by a specialist or authorized maintenance personnel)	10
2.1	General safety instructions	3	14.4	Annual safety inspection report	11
2.2	Instructions for the operator	3	15	EU Declaration of Conformity (Extract)	12
3	Overview	4			
3.1	Delivery state	4			
3.2	Scope of delivery	4			
3.3	Equipment description	4			
4	Description	5			
4.1	Functional description	5			
4.2	Components / Modules	5			
4.3	Technical Specifications	5			
4.4	Anchoring	5			
4.5	Safety equipment	5			
4.6	Load limits	6			
5	Optional accessories	6			
6	Necessary accessories	6			
7	Installation and commissioning	6			
7.1	Directives and standards	6			
7.2	Checks to be undertaken before starting installation	6			
7.3	Assembly	6			
7.4	Commissioning	7			
8	Operation	7			
8.1	Checking before starting work	7			
8.2	Operation	7			
9	Foreseeable misuse	7			
10	Dismantling	8			
11	Transport and storage	8			
12	Maintenance work	8			
12.1	Authorized maintenance personnel	8			
12.2	Mandatory inspections	8			
12.3	Care and maintenance.....	8			
12.4	Ordering spare parts	9			
13	Disposal and environmental protection	9			

EN



Risk of injury caused by falling objects, malfunctions, incorrect usage and incorrect operation!

Failure to follow these instructions: can result in severe injuries or death, can result in damage to the equipment.

- Read through this operating manual carefully before you install and commission this machine.
- Follow the instructions and procedures specified in this manual in order to ensure safe operation of the equipment.

1 General

Copyright

The copyright of this instruction manual remains with TRACTEL Greifzug GmbH.

This instruction manual is intended only for the operators of the systems described here and their staff. This instruction manual must be available to the operating personnel at all times. Additional copies can be obtained on request.

No part of this instruction manual may be reproduced, distributed or otherwise communicated without the permission of TRACTEL Greifzug GmbH.

Legal proceedings may be implemented in the case of any infringements.

Manufacturer's address

Sales and service office:

TRACTEL Greifzug GmbH

Scheidt bachstraße 19-21
51469 Bergisch Gladbach, Germany

Postfach 20 04 40
51434 Bergisch Gladbach, Germany

Tel: +49 (0) 22 02 / 10 04-0
Fax: +49 (0) 22 02 / 10 04-50 + 70

TRACTEL Greifzug GmbH reserves the right to make changes to the product described in this instruction manual as part of their ongoing product improvement programme.

Customers can obtain documentation about other TRACTEL products by requesting the documentation from companies within the TRACTEL Group or service organizations appointed by the TRACTEL Group. Please visit our TRACTEL website at: www.tractel.com for further details regarding the hoisting gear and related accessories; stationary or mobile working platforms for moving around on the inside and outside of buildings; rigging; block stops for heavy loads; personal safety harnesses to prevent falls; traction and rope tension measuring equipment, etc.

The TRACTEL Group and its dealer network also provide additional customer and repair services upon request.

1.1 Terms and abbreviations used in this manual

The terms used in this instruction manual have the following meanings:

System / Machine

Pursuant to the Machine Directive 2006/42/EC lifting equipment, hoisting gear, safety equipment and rigging for lifting are regarded as machines. The term "system" or "machine" also describes the device in which the unit described here will be fitted.

System manufacturer

The system manufacturer (system planner, system manufacturer, installer) is the company marketing the system and all of the required components. The system manufacturer is responsible for the design, manufacturing, assembly and marketing.

Rigging

Rigging consists of equipment which does not belong to the hoisting gear and which creates a connection between the carrying means and the load or the carrying means and the load lifting equipment (e.g. rope loops, round slings, shackles, swivel hooks, eye hooks, deflection rollers).

Anchoring point

Part of the on-site suspended construction to which the suspension rope, the safety rope, deflection rollers and the hoisting gear are anchored separately.

Operating personnel

Personnel who have been trained by the operator to operate the product and are authorized to operate it.

Operator

The operator is responsible for the correct operation of the system / equipment and also for adhering to the maintenance intervals and the undertaking of the service work.

Fall arrest device

A device for stopping the load lifting equipment in the event of the suspension rope snapping or a malfunction, e.g. drive malfunction.

Overall suspended load

The overall suspended load is the actual suspended static load, which is made up of the payload, the load lifting equipment's own weight, the additional fittings, the wire ropes and the control and connection cables.

Hoisting gear / machine for lifting loads

Device or equipment consisting of a device with load carrying means for lifting or transporting loads (e.g. wire rope hoist or wire rope hoist with rope and swivel hook).

Customer / end customer

The customer or end customer is the system manufacturer's customer and can also be the operator.

Load lifting equipment

A component or piece of equipment which does not belong to the hoisting gear, which enables the load to be grasped and which is attached between the machine and the load or to the load itself, or is intended to be an integral component of the load. Rigging and its components are also regarded as load lifting equipment.

Material lifting equipment

Load lifting equipment for material.

Maximum working load

The maximum working load specifies the maximum load the device is allowed to bear. The maximum working load is specified on the nameplate.

Payload

The payload is the load that is raised, pulled or held in place by the device. If reeving is used according to the block and tackle principle then the payload may exceed the maximum working

load. The maximum working load must never be exceeded by using reeving.

Man riding equipment

Lifting equipment for persons. Combined material and man riding equipment also counts here.

Specialist

An appointed person who has undergone the appropriate training and who, due to his knowledge and practical experience, is able to safely perform the required work when provided with the necessary instructions.

Products in contact with the rope

Products in contact with the rope include hoists, deflection rollers, fall arrest devices and other products that the rope runs through or is in contact with.

Carrying means

The carrying means is equipment connected to the hoisting gear for attaching load lifting equipment, rigging or loads (e.g. a hook permanently attached to the suspension rope).

Maintenance personnel

A person appointed by and trained by TRACTEL Greifzug GmbH with a valid certificate, who is capable of safely performing the required maintenance, inspection and service work when provided with the required instructions.

1.2 Symbols used in this manual



DANGER!

Type and source of danger

Result: e.g. death or severe injuries.

- Measures that must be taken to eliminate the danger.

ATTENTION!

Type and source of danger

Result: e.g. equipment or environmental damage.

- Measures that must be taken to eliminate any possible damage.

Note:

This symbol is not used to indicate safety information but to indicate information that will give you a better understanding of the working procedures.



This symbol identifies devices for transporting people and materials.

2 Safety

2.1 General safety instructions



DANGER!

Danger of severe injuries caused by malfunctions, incorrect use and incorrect operation!

- You must abide by the following instructions in order to ensure safe operation and correct functioning of the equipment!
- Please observe the special safety instructions for all of the work to be performed as described in the individual chapters in this manual.

- Never use faulty or damaged products, accessories or rigging.
- Abide by the instructions concerning transport, storage and cleaning listed on page 8.
- You must abide by the safety specification sheets issued by the manufacturer of the lubricant being used.
- The anchoring devices must comply with the instructions given in this manual or the applicable directives / standards.
- The permitted working load must never be exceeded.
- Maintenance and repair work must only be undertaken by authorized service personnel, see '12.1 Authorized maintenance personnel' on page 8.
- Only qualified personnel who have been trained on the system are permitted to install and operate it in compliance with the instructions given in this instruction manual.
- Private users are obliged to obtain training in the assembly, operation and maintenance of the unit by TRACTEL Greifzug GmbH.
- Never stand beneath suspended loads. Cordon off the dangerous area whenever necessary. Support and secure caught or jammed loads.
- When performing welding work the national safety and accident prevention regulations must be observed.

2.2 Instructions for the operator

- If more than one person is entrusted with the tasks mentioned above then the operator must appoint a supervisor who is authorized to issue instructions.
- The operator is also responsible for preparing clear operating, maintenance, repair and other working instructions and ensuring that the unit is operated correctly by instructing and training the personnel in the correct and approved utilization methods.
- The operator is responsible for the correct operation of the system as well as for adhering to the maintenance periods and the undertaking of the service work.
- The operator is obliged to keep inspection and log books (see '14 Inspection and logbook' on page 10).

EN

- EU Directive 89/391/EEC applies within the European Union. You must always abide by your country's national accident prevention regulations.
- You must provide suitable protective equipment such as safety gloves, hearing protectors and a fall prevention system. Protection against extreme weather conditions (e.g. sun protection, protection against cold) are also considered to be part of the personal protective equipment.
- Always ensure that the workplace is sufficiently lighted.
- This instruction manual and the instruction manuals for all of the accessory parts must be handed out to all of the authorized personnel. The documents must be available at all times.
- As TRACTEL Greifzug GmbH does not know the applications that the product described here will be used for in the future, the system operator is therefore committed to informing their personnel about any new safety instructions as well as any supplementary maintenance work.
- The product must be installed in accordance with the data given in this manual. The operator of the system is responsible for suitable slinging options.
- The anchoring devices must comply with the instructions given in this manual or the applicable directives / standards.
- Safe operation is not guaranteed if non-original spare parts are used. This applies, in particular, to the use of ropes other than the specified original ropes approved for the application. Guarantee claims against the manufacturer will be invalidated and this will also invalidate the CE approval for any product holding this approval.
- Adhere to the permitted temperature range, see Fig. 1.

3 Overview

3.1 Delivery state

The equipment is delivered fully assembled.

3.2 Scope of delivery

Mounting clamp:

- Allen-key

Documents:

- Original Installation and operating manual
- CE Declaration of Conformity

3.3 Equipment description

Authorized utilization

Mounting clamp

Mounting clamps serve as anchoring point for hoisting gear, deflection rollers or working platforms and work baskets (see Fig. 4 and Fig. 5). The mounting clamps are attached to the supports using 'I' or 'H' profiles.

Loads must only be raised or lowered in the vertical direction. Pulling at an angle is only permitted within the limits specified Table 1 on page II! See also Fig. 7.

Product purpose

The precise requirements on site are not known by TRACTEL Greifzug GmbH. The precise intended use will be defined by the operator or the equipment manufacturer.

Maintenance and repair work must only be undertaken by authorized service personnel, see '12.1 Authorized maintenance personnel' on page 8.

Health and safety requirements

TRACTEL Greifzug GmbH declares that the machine described in this instruction manual complies with technological safety standards that were applicable to the equipment in the European Union when it was launched on the market by the manufacturer.

Commissioning the machine is prohibited until the machine in which this is installed complies as a whole with the regulations of the 2006/42/EC Directive, the corresponding national legislation for implementing the regulations in accordance with national law and the corresponding declaration of conformity has been issued.

- The operator or system manufacturer must perform a risk evaluation in accordance with Appendix I of the guideline 2006/42/EC for machines for raising loads.
- A conformity evaluation process must be run by the operator or the system manufacturer on machines used for man riding or man riding and material handling, which come under Appendix IV No. 17 of Directive 2006/42/EC, in accordance with Article 12, Paragraphs 3 or 4 of Directive 2006/42/EC. EN 1808 must also be observed when applicable.

Guarantee and liability exclusions

See '9 Foreseeable misuse' on page 7.

Any use other than that described here will be considered to be unauthorized. TRACTEL Greifzug GmbH does not accept any liability for damages resulting from unauthorized use. The operator must assume sole responsibility in this case. Abiding by all of the instructions given in this instruction manual, in particular the installation and maintenance regulations, are also considered part of authorized use.

Application areas

The product is suitable for use under the following operating conditions:

- For permanent or temporary installations
- For short-term operation
- Permitted temperature range see Fig. 1.



DANGER!

Danger of severe accidents!

- Use in areas where there is a risk of explosion is prohibited.
- Use in a corrosive environment is prohibited.¹⁾
- Use in close proximity to open fire or in an extremely hot environment is prohibited.

¹⁾ Corrosion protection in accordance with order specifications

Structural requirements

General information

The structural equipment to be used for attaching the product must be designed in compliance with the applicable Directives and standards (see '7.1 Directives and standards' on page 6).

The application's overall suspended load must be taken into account regarding the design of the suspended construction.

The overall suspended load is the actual suspended static load, which is made up of the payload, the load lifting equipment's own weight, the additional fittings, the wire ropes and the control and connection cables.

Systems for the transport of persons:

Man riding equipment must be equipped with a fall arrest device, which secures the load, for example, on a safety rope against falling.

Nameplate and warning signs / application restrictions

Replace missing or illegible nameplates and warning signs immediately.

See Fig. 6.

Item	Name
1	Nameplate

The necessary information can be obtained from the nameplate.

Directives and standards

Applicable directives and standards: See '7.1 Directives and standards' on page 6.

Product versions covered in the manual

The product versions described in this manual are listed in Table 1 on page II.

4 Description

4.1 Functional description

The mounting clamp is attached to the supports using 'I' or 'H' profiles. The clamping jaws on the mounting clamps grip the flange on the support. The clamping jaws are adjusted to the flange width of the support using the spindle.

Lifting devices fitted with hooks can be suspended from the suspension eyes.

4.2 Components / Modules

See Fig. 2.

Item	Name
1	Clamping jaw
2	Suspension eye
3	Spindle a: Spindle shaft
4	Locking screw 4.1 Threaded pin 4.2 Copper disc
	Allen-key (no picture)

4.3 Technical Specifications

The technical specifications are listed in Table 1 on page II.

4.4 Anchoring

The mounting clamp is attached to the supports using 'I' or 'H' profiles.

- Note the profile size permitted for the respective mounting clamp, see Table 1 on page II.
- Observe the maximum working load, see Table 1 on page II.

See also '7.3 Assembly' on page 6.

4.5 Safety equipment

Locking screw

For locking the spindle during operation so that the spindle does not detach without being noticed, causing the mounting clamp to fall off.

4.6 Load limits



DANGER!

Incorrect anchoring! Incorrect usage!

Risk of being injured by falling objects!

The load on the deflection roller, rigging and the anchoring point increases depending on the arrangement of the hoisting gear, deflection roller and load!

- The support's minimum breaking strength rating must exceed the hoisting gear's maximum working load by fourfold for the given installation situation (see Fig. 7).
- If the lifting equipment is attached directly to the anchoring point (see Fig. 7), the deadweight of all of the line components and the dynamic rate of strain of the hoisting gear drive system must be taken into account.

Incorrect anchoring! Incorrect usage!

Pulling at an angle is only permitted within the limits specified Table 1 on page III!

- Please observe the specifications for the angles α and β , see Table 1 on page II.

EN

5 Optional accessories

The following accessories can also be purchased:

- tirak™ motor-driven wire rope hoist
- greifzug™ hand-operated multi-purpose cable hoist
- minifor™ motorized cable hoist
- tralift™ TE electrical chain hoist
- bravo™ lever hoist
- tralift™ pulley block
- Deflection rollers, adapter

Please directly contact TRACTEL Greifzug GmbH.

6 Necessary accessories

The following accessories, which are not part of scope of delivery, are necessary to use the product:

- Rigging and securing equipment with an adequate minimum breaking strength (see 'Structural requirements' on Page 5).
- Manual or electrical hoisting gear

Other original Greifzug accessories: See '5 Optional accessories' on page 6.

The operator or the manufacturer of the system is responsible for selecting and using the accessories in accordance with the local conditions. You must also abide by any other requirements of the respectively applicable regulations and standards.

7 Installation and commissioning

7.1 Directives and standards

The machine fulfils the following directives and standards:

- Machine Directive 2006/42/EC
- EN ISO 12100:2010
- Machines for man riding or man riding and material handling (transport of persons): EN 1808:2015

The operator or the system manufacturer is responsible for ensuring that the machine is used within the limits specified in these instructions. The operator or the system manufacturer must also observe the directives and standards for the machine in which the unit will be fitted.

7.2 Checks to be undertaken before starting installation

Inspecting the installation site

General

- Check if other components obstruct a correct installation. The installation space must not contain any sharp or edged components.
- Check to ensure that the deflection roller, the rigging and the on-site anchoring point all have the necessary minimum breaking strength, see 'Structural requirements' on page 5. If hoisting gear is attached directly to the anchoring point (see Fig. 5) then the dead weight of all line components and the dynamic proportion of the load from the hoisting gear drive system must be taken into account.
- Check that the mounting does not cover any nameplates (see Fig. 6).

Check the components and the accessories

- Check that the components and the accessories are complete (See '3.2 Scope of delivery' on Page 4 and '4.2 Components / Modules' on Page 5).
- Check for signs of damage.

7.3 Assembly

Requirements

- Assembly may only be performed by trained personnel.
- The workplace must have adequate lighting.
- Two people are needed to install heavy mounting clamps.

Fit the mounting clamp

See Fig. 3.

- Loosen the screw (1).

Note:

If the screw (1) was unintentionally unscrewed:

- Check whether the copper disc (2) is in the threaded hole (3).

ATTENTION!

Risk of severe accidents!

If the spindle is difficult to turn although the locking screw has been loosened then the thread on the spindle is damaged.

- Send the mounting clamp to TRACTEL Greifzug GmbH for repair.
- Open the clamping jaws (4) with the spindle (5).
- Place the mounting clamp on the support (6).
- Close the clamping jaws with the spindle (5):
Ensure that the clamping jaws only touch the parts of the flange on the support labelled with arrows. The mounting clamp must sit firmly on the support without any play.
- Tighten the spindle screw (1).
It must no longer be possible to turn the spindle.

Attach the load

See Fig. 4.

- Attach the hoisting gear's hook (1) or other rigging (e.g. shackle) so that the suspension eye (2) points downwards.
You must ensure that the size of the hook (1) fits the suspension eye (2). The safety guard (3) must be closed.

After completing the installation

- Check that everything is ready and then run a functional check, see '7.4 Commissioning' on page 7.

7.4 Commissioning

Determining operational readiness

- Check the mounting clamp anchoring.

Functional test

- Load the mounting clamp with the permitted load.
- Check for pulling at an angle: Pulling at an angle is only permitted within the limits specified Table 1 on page II!
- The results must be written in the inspection and log book (see '14 Inspection and logbook' on page 10).

8 Operation

Personnel must have been trained by the operator in operating the unit and be authorized to use it.

8.1 Checking before starting work

- Check that everything is ready and then run a functional check, see '7.4 Commissioning' on page 7.

8.2 Operation



Risk of being injured by falling objects!

The load or load lifting equipment may jam and fall!

- Secure loads against falling.
- Secure loads against twisting.
- Prevent the load from swinging.
- Always watch the load, the load lifting equipment and the anchoring point.
- If necessary, work with a supervisor.
- Never stand below suspended loads.
- Cordon off the dangerous area whenever necessary.

Risk of falling! Risk of being injured by falling objects!

- Overloading might result in the destruction of the mounting clamp or the hoisting gear!
- Observe the maximum permitted load when loading the load lifting equipment.
- Look out for obstructions along the traversing path.
- Using the mounting clamps to help pull a load along the ground is forbidden!
- Pulling at an angle is only permitted within the limits specified Table 1 on page II! Please observe the specifications for the angles α and β , see Table 1 on page II.

9 Foreseeable misuse

Guarantee and liability claims for personal injuries and equipment damage will be rejected if they can be traced back to one or more of the following causes:

- Unauthorized use of the product, the accessories or the carrying means belonging to the product
- Installation on a sloping support or supports with racks
- Use in potentially explosive or corrosive environments
- Attaching the load without using matching or correct hooks
- Not adhering to the stipulated maintenance periods
- Cleaning with a high-pressure cleaner
- Incorrect installation, commissioning, operation, maintenance or repairs
- Poor monitoring of the parts and the accessories, which has resulted in wear occurring

EN

- Carrying out incorrect and unauthorized repairs
- Welding the mounting clamp onto the support or welding parts onto the mounting clamp
- Use of non-original spare parts
- Alteration of safety device settings
- Ignoring measurements and checks that would detect early signs of damage
- Product overloaded
- Using the mounting clamp for pulling, loosening or pulling a load sideways. Pulling at an angle is only permitted within the limits specified Table 1 on page III!
- Deliberately causing a load to swing
- Opening the mounting clamp while it supports a load or when hoisting gear is attached
- Using the mounting clamp as the earth plate when welding
- Anchoring loads to the mounting clamp in positions other than the suspension eyes provided for this purpose
- Accidents caused by foreign bodies or force majeure
- The manufacturer will not accept any liability for damages resulting from modifications and conversions made to the products or from the use of non-original parts that have not been authorized by the manufacturer.
- Never use faulty or damaged products, accessories and, rigging.
- The minimum flange width dimension T (see table Table 1 on page II) must not be exceeded.

10 Dismantling

See Fig. 4.

- Lower the load lifting equipment and remove if necessary.
- Loosen the screw (1).
- Open the mounting clamp with the spindle (5).
- Remove the mounting clamp from the support.

Always use suitable transport equipment and get a second person to help you with heavy components.

- Clean the device and put it into storage.

11 Transport and storage

Transport

Ensure that no damage occurs during the transporting.

Always use suitable transport equipment and get a second person to help you with heavy components.

Storage

Store in a dry, dust-free location that has a constant ambient temperature.

12 Maintenance work

12.1 Authorized maintenance personnel



Risk of falling! Risk of being injured by falling objects!

Mortal danger due to incorrectly performed maintenance and service work!

Maintenance and service work may only be performed by the following authorized parties:

- TRACTEL Greifzug GmbH
- Lifting equipment service companies authorized by TRACTEL Greifzug GmbH
- Service personnel trained and certified by TRACTEL Greifzug GmbH

12.2 Mandatory inspections

A written certificate is required for the annual inspection and any exceptional tests. The results must be entered in the inspection and log book (see '14 Inspection and logbook on page 10).

Prior to every use

Always check to ensure that the device is in an orderly working condition before use, see '7.4 Commissioning' on page 7.

Annual safety inspection

The safety inspection must be carried out annually.

The safety inspection may only be undertaken by authorized maintenance personnel, see '12.1 Authorized maintenance personnel' on page 8. Depending on the usage conditions (e.g. operation in an extremely dirty environment), an intermediate inspection may be necessary.

We recommend that the system is tested in our factory by TRACTEL Greifzug GmbH.

Contact TRACTEL Greifzug GmbH or your supplier with regards to this test.

12.3 Care and maintenance

Interval	Work	Implementation
Daily	<ul style="list-style-type: none"> – Check the mounting – Check for dirt 	Operator
Whenever necessary	<ul style="list-style-type: none"> – Cleaning – Grease the spindle 	Trained person appointed by the operator

Interval	Work	Implementation
Quarterly	– Visually inspect the clamping jaws (for cracks, deformations)	Trained person appointed by the operator
6-monthly	Visual inspection: – Condition of the support	Trained person appointed by the operator
1 x annually	– Safety check	Authorized maintenance personnel

12.4 Ordering spare parts

Spare parts lists can be obtained from your supplier or directly from TRACTEL Greifzug GmbH.

The necessary information for placing the order is located on the nameplates of the individual components, see Fig. 6. Replace missing or illegible labels immediately.

13 Disposal and environmental protection

The equipment is made from recyclable materials. If the equipment is later scrapped, it must be disposed of correctly. The national versions of the waste legislation directive 2008/98/EC apply within the European Union.

The manufacturer is obliged to take back and dispose of specific electrical and electronic components in accordance with Directive 2002/96/EC. The following symbol is used on the nameplate of such components to identify them:



14 Inspection and logbook

The operator and/or the authorized responsible person are obliged to maintain this inspection and logbook.

Depending on the situation, the entries are made and signed by the manufacturer, an authorized company, the operator, a specialist or authorized maintenance personnel.

All incidents must be logged correctly in this book and signed. This includes, e.g.:

- All inspections performed
- All maintenance work
- Modifications and every incidence of troubleshooting

EN

TEMPLATES! Copy and complete as necessary!

14.1 Commissioning tests (carried out by a specialist)

Commissioning tests	Date: _____
Comments: _____	Specialist: _____
_____	(Name)
_____	_____
	(Signature)

14.2 Troubleshooting (to be undertaken by the operator, a specialist or authorized maintenance personnel)

No.	Faults	Faults eliminated	Date:
Comments:	yes <input type="checkbox"/> no <input type="checkbox"/>	yes <input type="checkbox"/> no <input type="checkbox"/>	_____
			Name: _____
			Company: _____

			(Signature)

14.3 Annual safety inspection (to be undertaken by a specialist or authorized maintenance personnel)

Repeated inspection	Date: _____
Comments: _____	Specialist: _____
_____	(Name)
_____	_____
	(Signature)

14.4 Annual safety inspection report

Location:		Mounting clamp no.:	
Operator:		System no.:	

Inspection date:		Fault		Fault		Fault		Fault		Fault	
		yes	no	yes	no	yes	no	yes	no	yes	no
1. Mounting clamp											
1.1	Visual inspection	<input type="checkbox"/>	<input type="checkbox"/>	<input type="checkbox"/>	<input type="checkbox"/>	<input type="checkbox"/>	<input type="checkbox"/>	<input type="checkbox"/>	<input type="checkbox"/>	<input type="checkbox"/>	<input type="checkbox"/>
1.2	Inspect clamping jaws for cracks and deformations	<input type="checkbox"/>	<input type="checkbox"/>	<input type="checkbox"/>	<input type="checkbox"/>	<input type="checkbox"/>	<input type="checkbox"/>	<input type="checkbox"/>	<input type="checkbox"/>	<input type="checkbox"/>	<input type="checkbox"/>
1.3	Check the state of the spindle	<input type="checkbox"/>	<input type="checkbox"/>	<input type="checkbox"/>	<input type="checkbox"/>	<input type="checkbox"/>	<input type="checkbox"/>	<input type="checkbox"/>	<input type="checkbox"/>	<input type="checkbox"/>	<input type="checkbox"/>
1.4	Function inspection	<input type="checkbox"/>	<input type="checkbox"/>	<input type="checkbox"/>	<input type="checkbox"/>	<input type="checkbox"/>	<input type="checkbox"/>	<input type="checkbox"/>	<input type="checkbox"/>	<input type="checkbox"/>	<input type="checkbox"/>
Inspector's name:											
Signature:											

EN

15 EU Declaration of Conformity (Extract)



The manufacturer hereby declares

TRACTEL Greifzug GmbH
Scheidtbachstraße 19–21 51469 Bergisch Gladbach

represented by
Dipl.-Ing. Philippe Gastineau
General Manager

DECLARATION OF CONFORMITY

that the machine described complies with technological safety standards that were applicable to the equipment in the EUROPEAN UNION when it was launched on the market by the manufacturer.

APPLICABLE DIRECTIVES AND STANDARDS:

2006/42/EC;
EN1808; EN ISO 12100

DESIGNATION
Mounting clamp

APPLICATION
Transport of persons

MODEL
LT-1B, LT-2B, LT-3B, LT-5B, LT-10B

SERIAL NUMBER

Year of manufacture
from 11.2020

Commissioning the machine is prohibited until the machine in which this is installed complies as a whole with the regulations of the 2006/42/EC Directive, the corresponding national legislation for implementing the regulations in accordance with national law and the corresponding declaration of conformity has been issued.

The valid EN 1808 standard must be applied for the PAM in which the machine is installed.

Responsible for the documentation:

Dipl.-Ing. Philippe Gastineau, Tel.: +49 (0) 2202 1004 0
Bergisch Gladbach, date

Inhaltsverzeichnis

1	Allgemeines	2	14	Prüf- und Logbuch	10
1.1	Verwendete Begriffe und Abkürzungen	2	14.1	Prüfung bei Inbetriebnahme (durch einen Sachkundigen).....	10
1.2	Verwendete Symbole.....	3	14.2	Störungsbeseitigung (durch Bediener, Sachkundigen oder autorisiertes Wartungspersonal)	10
2	Sicherheit	3	14.3	Jährliche Sicherheitsüberprüfung (durch einen Sachkundigen oder autorisiertes Wartungspersonal)	10
2.1	Allgemeine Sicherheitshinweise	3	14.4	Prüfbericht zur jährlichen Sicherheitsüberprüfung... 11	
2.2	Hinweise für den Betreiber.....	3	15	EG-Konformitätserklärung (Auszug)	12
3	Übersicht	4			
3.1	Lieferzustand	4			
3.2	Lieferumfang	4			
3.3	Gerätebeschreibung	4			
4	Beschreibung	5			
4.1	Funktionsbeschreibung.....	5			
4.2	Komponenten / Baugruppen	5			
4.3	Technische Daten	5			
4.4	Befestigung	5			
4.5	Sicherheitseinrichtungen.....	5			
4.6	Belastungsgrenzen	6			
5	Optionales Zubehör	6			
6	Notwendiges Zubehör	6			
7	Installation und Inbetriebnahme	6			
7.1	Richtlinien und Normen.....	6			
7.2	Prüfungen vor Beginn der Montage	6			
7.3	Montage	7			
7.4	Inbetriebnahme	7			
8	Bedienung / Betrieb	7			
8.1	Prüfungen vor Arbeitsbeginn	7			
8.2	Betrieb.....	7			
9	Vorhersehbarer Missbrauch	8			
10	Demontage	8			
11	Transport und Lagerung	8			
12	Instandhaltung	8			
12.1	Autorisiertes Wartungspersonal	8			
12.2	Erforderliche Prüfungen	8			
12.3	Pflege und Wartung	9			
12.4	Ersatzteile bestellen.....	9			
13	Entsorgung und Umweltschutz	9			



GEFAHR!

Verletzungsgefahr durch herabfallende Gegenstände, Fehlfunktionen, falsche Nutzung und Fehlbedienung!

Beachten Sie diese Anleitung nicht:

können schwerste Verletzungen und der Tod die Folge sein, können Schäden am Gerät entstehen.

- Lesen Sie diese Anleitung sorgfältig durch, bevor Sie dieses Gerät montieren und in Betrieb nehmen.
- Beachten Sie die Hinweise und Verhaltensregeln, die für einen sicheren Betrieb des Geräts notwendig sind.

1 Allgemeines

Urheberrecht

Das Urheberrecht an dieser Anleitung verbleibt bei der TRACTEL Greifzug GmbH.

Diese Anleitung ist nur für den Betreiber der darin beschriebenen Anlagen sowie dessen Personal bestimmt. Diese Anleitung muss dem Bediener jederzeit zugänglich sein. Weitere Exemplare können angefordert werden.

Ohne Zustimmung der TRACTEL Greifzug GmbH dürfen keine Bestandteile dieser Anleitung vervielfältigt, verbreitet oder anderweitig mitgeteilt werden.

DE

Zuwiderhandlungen können strafrechtliche Folgen haben.

Anschrift des Herstellers

Verkaufs- und Servicestelle:

TRACTEL Greifzug GmbH

Scheidtbachstraße 19-21
51469 Bergisch Gladbach, Deutschland

Postfach 20 04 40
51434 Bergisch Gladbach, Deutschland

Telefon: +49 (0) 22 02 / 10 04-0
Telefax: +49 (0) 22 02 / 10 04-50 + 70

Die TRACTEL Greifzug GmbH behält sich das Recht vor, im Zuge der Produktverbesserung jegliche Änderungen an dem in dieser Anleitung beschriebenen Produkt vorzunehmen.

Kunden können über die Unternehmen der TRACTEL-Gruppe und die von der TRACTEL-Gruppe autorisierten Instandhalter auf Anfrage Dokumentationen über andere TRACTEL-Produkte erhalten: Hebezeuge und deren Zubehör, fest installierte oder mobile Arbeitsbühnen zur Innen- und Außenbefahrung von Gebäuden, Anschlagmittel, Abfangsicherungen für Lasten, Persönliche Schutzausrüstung gegen Absturz, Zugkraft- und Seilspannungsmessgeräte, etc. Besuchen Sie hierfür auch die TRACTEL-Website www.tractel.com.

Die TRACTEL-Gruppe und ihr Händlernetzwerk bieten Ihnen bei Bedarf zusätzlich Kunden- und Reparaturservice.

1.1 Verwendete Begriffe und Abkürzungen

In dieser Anleitung haben die folgenden Begriffe diese Bedeutung:

Anlage / Maschine

Im Sinne der Maschinenrichtlinie 2006/42/EG gelten Lastaufnahmemittel, Hebezeuge, Sicherheitsbauteile und Anschlagmittel zum Heben als Maschine. Mit Anlage oder Maschine wird auch die Einrichtung bezeichnet, in die die hier beschriebene Maschine eingebaut wird.

Anlagenhersteller

Der Anlagenhersteller (Anlagenplaner, Anlagenhersteller, Montagebetrieb) ist der Inverkehrbringer der Anlage und aller notwendigen Komponenten. Der Anlagenhersteller ist für den Entwurf, die Herstellung, den Einbau und das Inverkehrbringen verantwortlich.

Anschlagmittel

Anschlagmittel sind nicht zum Hebezeug gehörende Einrichtungen, die eine Verbindung zwischen Tragmittel und Last oder Tragmittel und Lastaufnahmemittel herstellen (z. B. Seilschlaufen, Rundschnellen, Schäkkel, Wirbelhaken, Ösenhaken, Umlenkrollen).

Anschlagpunkt, Aufhängepunkt

Teil der bauseitigen Aufhängekonstruktion, an dem Tragseil, Sicherheitsseil, Umlenkrollen oder das Hebezeug unabhängig voneinander angeschlagen werden.

Bediener

Person, die vom Betreiber in die Bedienung des Produktes eingewiesen und mit dem Gebrauch betraut ist.

Betreiber

Der Betreiber ist für den ordnungsgemäßen Betrieb der Anlage/des Geräts sowie für die Einhaltung der Wartungsintervalle und die Durchführung der Instandsetzungsarbeiten verantwortlich.

Fangvorrichtung

Vorrichtung zum Abfangen von Lastaufnahmemitteln bei Tragseilbruch oder Störungen, z. B. Versagen des Antriebs der Winde.

Gesamt-Hängelast

Die Gesamt-Hängelast ist die auf die Aufhängung einwirkende statische Last, die sich aus der Nutzlast, dem Eigengewicht des Lastaufnahmemittels, der Zusatzausrüstung, den Drahtseilen und den Steuer- und Anschlusskabeln zusammensetzt.

Hebezeug / Maschine zum Heben von Lasten

Gerät oder Einrichtung bestehend aus einem Gerät mit Tragmitteln zum Heben oder Transportieren von Lasten (z. B. Seilwinde oder Seilwinde mit Seil und Wirbelhaken).

Kunde/Endkunde

Der Kunde oder Endkunde ist der Kunde des Anlagenherstellers und kann gleichzeitig auch der Betreiber sein.

Lastaufnahmemittel (LAM)

Ein nicht zum Hebezeug gehörendes Bauteil oder Ausrüstungsteil, das das Ergreifen der Last ermöglicht und das zwischen Maschine und Last oder an der Last selbst angebracht wird oder das dazu bestimmt ist, ein integraler Bestandteil der Last zu werden. Als Lastaufnahmemittel gelten auch Anschlagmittel und ihre Bestandteile.

Materialaufnahmemittel (MAM)

Lastaufnahmemittel für Material.

Maximale Betriebslast

Die maximale Betriebslast gibt an, mit welcher Last das Produkt maximal belastet werden darf. Die maximale Betriebslast ist auf dem Typenschild angegeben.

Nutzlast

Die Nutzlast ist die Last, die durch das Produkt gehoben, gezogen oder gehalten wird. Durch Einscheren nach dem Flaschenzugprinzip kann die Nutzlast größer als die maximale Betriebslast werden. Die maximale Betriebslast darf durch das Einscheren nicht überschritten werden.

Personenaufnahmemittel (PAM)

Lastaufnahmemittel für Personen. Hierzu zählen auch Kombinationen von Lastaufnahmemitteln für Material und Personen.

Sachkundige Person

Eine benannte und entsprechend ausgebildete Person, die durch ihre Kenntnisse und praktischen Erfahrungen in der Lage ist, mit den benötigten Anweisungen versehen, die erforderlichen Arbeiten sicher auszuführen.

Seilberührende Produkte

Seilberührende Produkte sind Winden, Umlenkrollen, Fangvorrichtungen und sonstige Produkte, durch die das Seil hindurchläuft oder die mit Seilen im Kontakt sind.

Tragmittel

Ein Tragmittel ist eine mit dem Hebezeug verbundene Einrichtung zur Aufnahme von Lastaufnahmemitteln, Anschlagmitteln oder Lasten (z. B. ein mit dem Tragseil fest verbundener Haken).

Wartungspersonal

Eine benannte und von der TRACTEL Greifzug GmbH geschulte Person mit gültigem Zertifikat, die in der Lage ist, mit den benötigten Anweisungen versehen, die erforderlichen Wartungs-, Prüf- und Instandsetzungsarbeiten sicher auszuführen.

1.2 Verwendete Symbole

**GEFAHR!****Art und Quelle der Gefahr.**

Folge: z. B. Tod oder schwere Verletzungen.

- Maßnahmen, mit denen die Gefahr vermieden wird.

ACHTUNG!
Art und Quelle der Gefahr.

Folge: z. B. Sachschäden oder Umweltschäden.

- Maßnahmen, mit denen Schäden vermieden werden.

Hinweis:

Dieses Symbol kennzeichnet keine Sicherheitshinweise, sondern gibt Informationen zum besseren Verständnis der Abläufe.



Mit diesem Symbol sind Geräte für den Personen- und Materialtransport gekennzeichnet.

2 Sicherheit

2.1 Allgemeine Sicherheitshinweise

**GEFAHR!****Gefahr von schweren Unfällen durch Fehlfunktionen, falsche Nutzung und Fehlbedienung!**

- Beachten Sie folgende Angaben, damit der sichere Betrieb und die ordnungsgemäße Funktion des Gerätes gewährleistet sind!
 - Beachten Sie auch die speziellen Sicherheitshinweise für alle auszuführenden Arbeiten in den einzelnen Kapiteln dieser Anleitung.
-
- Fehlerhafte oder beschädigte Produkte, Zubehörteile und Anschlagmittel dürfen nicht eingesetzt werden.
 - Beachten Sie die Hinweise für Transport, Lagerung und Reinigung ab Seite 8.
 - Beachten Sie die Sicherheitsdatenblätter der Hersteller der Schmierstoffe.
 - Befestigungsmittel müssen den Angaben in dieser Anleitung bzw. den gültigen Normen/Richtlinien entsprechen.
 - Die maximale Betriebslast darf nicht überschritten werden.
 - Instandsetzungs- und Wartungsarbeiten dürfen nur von autorisiertem Wartungspersonal durchgeführt werden, siehe '12.1 Autorisiertes Wartungspersonal' auf Seite 8.
 - Montage und Bedienung dürfen nur durch geschultes und eingewiesenes Personal unter Berücksichtigung dieser Anleitung erfolgen.
 - Private Anwender sind verpflichtet, sich durch die TRACTEL Greifzug GmbH in der Montage, der Bedienung und der Wartung des Geräts schulen zu lassen.
 - Nicht unter schwebenden Lasten aufhalten. Wenn nötig, Gefahrenbereich absperren. Verhakte oder verklemmte Lasten abfangen und sichern.
 - Bei Schweißarbeiten sind die nationalen Sicherheits- und Arbeitsschutzbestimmungen zu beachten (z.B. in Deutschland BGR 159).
- ### 2.2 Hinweise für den Betreiber
- Ist mehr als eine Person mit einer der hier beschriebenen Tätigkeiten betraut, so hat der Betreiber einen Aufsichtführenden zu bestimmen, der weisungsbefugt ist.
 - Der Betreiber ist dafür verantwortlich, klare Bedienungs-, Instandhaltungs-, Wartungs- und sonstige Betriebsanweisungen bereitzustellen und durch Schulung und Anweisung des Personals den sachgerechten und bestimmungsgemäßen Betrieb und die sachgerechte Bedienung des Geräts sicherzustellen.
 - Der Betreiber ist für den ordnungsgemäßen Betrieb der Anlage sowie für die Einhaltung der Wartungsintervalle und die Durchführung von Wartungsarbeiten verantwortlich.

- Der Betreiber ist verpflichtet, das Prüf- und Logbuch (siehe '14 Prüf- und Logbuch' auf Seite 10) zu führen.
- Innerhalb der Europäischen Union gilt die EU-Richtlinie 89/391/EWG (in Deutschland die Betriebssicherheitsverordnung (BetrSichV)). Die nationalen Arbeitsschutzbestimmungen im Betreiberland müssen beachtet werden.
- Stellen Sie geeignete Schutzausrüstung zur Verfügung, wie z. B. Schutzhandschuhe, Gehörschutz und Absturzsicherung. Zur persönlichen Schutzausrüstung gehört auch der Schutz gegen extreme Witterungsbedingungen (z. B. Sonnenschutz, Kälteschutz).
- Sorgen Sie immer für eine ausreichende Beleuchtung des Arbeitsplatzes.
- Dem beauftragten Personal müssen diese Anleitung sowie die Anleitungen der Zubehörteile ausgehändigt werden. Die Dokumente müssen jederzeit zugänglich sein.
- Da die TRACTEL Greifzug GmbH den späteren Anwendungsfall des hier beschriebenen Produkts nicht kennt, ist der Betreiber dazu verpflichtet, sein Personal über weitere Sicherheitshinweise sowie über ergänzende Wartungsarbeiten zu informieren.
- Das Produkt muss gemäß den Angaben in dieser Anleitung montiert werden. Für geeignete Anschlagmöglichkeiten ist der Betreiber der Anlage verantwortlich.
- Befestigungsmittel müssen den Angaben in dieser Anleitung bzw. den gültigen Normen/Richtlinien entsprechen.
- Wenn keine Original-Ersatzteile verwendet werden, ist der sichere Betrieb nicht gewährleistet. Dieses gilt insbesondere, wenn nicht die vorgeschriebenen und für die Anwendung zugelassenen Original-Seile verwendet werden. Der Garantieanspruch gegenüber dem Hersteller entfällt. Bei Produkten mit CE-Kennzeichnung verliert diese ihre Gültigkeit.
- Beachten Sie den zulässigen Temperaturbereich, siehe Abb. 1.

3 Übersicht

3.1 Lieferzustand

Die Lieferung erfolgt komplett montiert.

3.2 Lieferumfang

Trägerklemme:

- Innen-Sechskantschlüssel

Unterlagen:

- Original-Montage- und Betriebsanleitung
- CE-Konformitätserklärung

3.3 Gerätebeschreibung

Bestimmungsgemäßer Gebrauch

Trägerklemme

Trägerklemmen dienen als:

- Anschlagpunkt von Hebezeugen, Umlenkrollen oder Arbeitsbühnen und Arbeitskörben (siehe Abb. 4 und Abb. 5)

Die Trägerklemmen werden an Trägern mit I- oder H-Profil befestigt.

Die Belastung beim Heben oder Senken darf nur in senkrechter Richtung erfolgen. Schrägzug ist nur in den in Tabelle 1 auf Seite II angegebenen Grenzen erlaubt! Siehe auch Abb. 7.

Produktbestimmung

Die genauen bauseitigen Voraussetzungen sind der TRACTEL Greifzug GmbH nicht bekannt. Der genaue Verwendungszweck wird durch den Betreiber oder den Anlagenhersteller festgelegt.

Instandsetzungs- und Wartungsarbeiten dürfen nur von autorisiertem Wartungspersonal durchgeführt werden, siehe '12.1 Autorisiertes Wartungspersonal' auf Seite 8.

Gesundheits- und Sicherheitsanforderungen

Die TRACTEL Greifzug GmbH erklärt, dass die in dieser Anleitung beschriebene Maschine den technischen Sicherheitsbestimmungen entspricht, die zum Zeitpunkt des Inverkehrbringens in der Europäischen Union durch den Hersteller für die Ausrüstung gelten.

Die Inbetriebnahme der Maschine ist solange verboten, bis die Maschine, in welche diese eingebaut wird, als Ganzes den Bestimmungen der Richtlinie 2006/42/EG sowie dem entsprechenden nationalen Rechtserlass zur Umsetzung der Richtlinie in nationales Recht entspricht und die entsprechende Konformitätserklärung ausgestellt ist.

- Für Maschinen zum Heben von Lasten muss durch den Betreiber oder Anlagenhersteller eine Risikobeurteilung gemäß Anhang I der Richtlinie 2006/42/EG durchgeführt werden.
- Für Maschinen zum Heben von Personen oder von Personen und Gütern, die unter Anhang IV Nr. 17 der Richtlinie 2006/42/EG fallen, muss durch den Betreiber oder Anlagenhersteller ein Konformitätsbewertungsverfahren gemäß Artikel 12 Absätze 3 oder 4 der Richtlinie 2006/42/EG durchgeführt werden. EN 1808 muss bei der Anlagenplanung berücksichtigt werden.

Gewährleistungs- und Haftungsausschlüsse

Siehe '9 Vorhersehbarer Missbrauch' auf Seite 8.

Jede von den hier genannten Angaben abweichende Verwendung gilt als nicht bestimmungsgemäß. Für hieraus resultierende Schäden haftet die TRACTEL Greifzug GmbH nicht. Das Risiko trägt allein der Betreiber. Zur bestimmungsgemäßen Verwendung gehört auch das Beachten aller Hinweise aus dieser Anleitung.

tion, insbesondere die Einhaltung der Montage- und Instandhaltungsvorschriften.

Einsatzbereich

Das Produkt ist für folgende Betriebsbedingungen geeignet:

- Für Festbauten oder wechselnde Installationen
- Für kurzfristigen Betrieb
- Zulässiger Temperaturbereich siehe Abb. 1.



GEFAHR!

Gefahr von schweren Unfällen!

- Der Einsatz in explosionsgefährdeten Bereichen ist verboten.
- Der Einsatz in korrosiver Umgebung ist verboten.¹⁾
- Der Einsatz in der Nähe von offenem Feuer oder in sehr heißer Umgebung ist verboten.

¹⁾ Korrosionsschutz gemäß Bestellspezifikation

Bauliche Voraussetzungen

Allgemeine Hinweise

Die Auslegung der baulichen Einrichtungen zur Befestigung des Produktes muss gemäß den gültigen Richtlinien und Normen erfolgen (siehe '7.1 Richtlinien und Normen' auf Seite 6).

Bei der Auslegung der Aufhängekonstruktion muss die Gesamt-Hängelast für den Anwendungsfall berücksichtigt werden. Die Gesamt-Hängelast ist die auf die Aufhängung einwirkende statische Last, die sich aus der Nutzlast, dem Eigengewicht des Lastaufnahmemittels, der Zusatzausrüstung, den Drahtseilen und den Steuer- und Anschlusskabeln zusammensetzt.

Anlagen für den Personentransport:

Hochziehbare Personenaufnahmemittel müssen mit einer Fangvorrichtung ausgestattet sein, die die Last z. B. an einem Sicherheitsseil gegen Absturz sichert.

Typenschilder und Hinweisschilder / Grenzen der Anwendung

Fehlende und unleserliche Typen- und Warnhinweisschilder umgehend ersetzen.

Siehe Abb. 6.

Pos.	Bezeichnung
1	Typenschild

Auf den Typenschildern finden Sie notwendige Informationen.

Richtlinien und Normen

Zugrundeliegende Richtlinien und Normen: siehe '7.1 Richtlinien und Normen' auf Seite 6.

Produktvarianten in der Anleitung

In dieser Anleitung werden die in Tabelle 1 auf Seite II aufgeführten Produktvarianten beschrieben.

4 Beschreibung

4.1 Funktionsbeschreibung

Die Trägerklemme wird an Trägern mit I- oder H-Profil befestigt. Dabei umgreifen die Klemmbacken der Trägerklemme den Flansch des Trägers. Die Klemmbacken werden mit der Spindel auf die Flanschbreite des Trägers eingestellt.

In der Aufhänge-Öse lässt sich eine mit Haken versehene Hebevorrichtung einhängen.

4.2 Komponenten / Baugruppen

Siehe Abb. 2.

Pos.	Bezeichnung
1	Klemmbacke
2	Aufhänge-Öse
3	Spindel a: Achse der Spindel
4	Schraube zum Feststellen 4.1 Gewindestift 4.2 Kupferscheibe
	Innen-Sechskantschlüssel (ohne Darstellung)

4.3 Technische Daten

Die technischen Daten finden Sie in Tabelle 1 auf Seite II.

4.4 Befestigung

Die Trägerklemme wird an Trägern mit I- oder H-Profil befestigt.

- Die zulässigen Profildimensionen für die jeweilige Trägerklemme beachten, siehe Tabelle 1 auf Seite II.
- Die maximale Betriebslast beachten, siehe Tabelle 1 auf Seite II.

Siehe auch '7.3 Montage' auf Seite 7.

4.5 Sicherheitseinrichtungen

Schraube zum Feststellen

Zum Feststellen der Spindel während des Betriebs, damit die Spindel sich nicht unbemerkt löst und die Trägerklemme herabfällt.

4.6 Belastungsgrenzen



GEFAHR!

Unsachgemäße Befestigung! Unsachgemäße Benutzung!

Verletzungsgefahr durch herabstürzende Gegenstände!
Abhängig von der Anordnung von Hebezeug, Umlenkrolle und Last erhöht sich die Belastung von Umlenkrolle, Anschlagmittel und Aufhängepunkt!

- Die Mindestbruchfestigkeit des Trägers muss die maximale Betriebslast des Hebezeugs in der gegebenen Einbausituation um das 4fache übersteigen (siehe Abb. 7 Bild 'a' und 'b').
- Wenn ein Hebezeug direkt am Aufhängepunkt befestigt wird (siehe Abb. 7), müssen das Eigengewicht aller Komponenten im Strang und der dynamische Anteil der Belastung aus dem Hebezeugantrieb berücksichtigt werden.

Unsachgemäße Befestigung! Unsachgemäße Benutzung!

Schrägzug ist nur in den in Tabelle 1 auf Seite II angegebenen Grenzen erlaubt!

- Beachten Sie die Angaben für die Winkel α und β , siehe Tabelle 1 auf Seite II.

DE

5 Optionales Zubehör

Ergänzend kann folgendes Zubehör erworben werden:

- Motorbetriebene Seilwinde tirak™
- Handbetriebener Mehrzweck-Seilzug greifzug™
- Motorseilzug minifor™
- Elektro-Kettenzug tralift™ TE
- Hebelzug bravo™
- Flaschenzug tralift™
- Umlenkrollen, Adapter

Bitte wenden Sie sich hierfür direkt an die TRACTEL Greifzug GmbH.

6 Notwendiges Zubehör

Um das Produkt verwenden zu können, benötigen Sie folgendes Zubehör, das nicht im Lieferumfang enthalten ist:

- Anschlagmittel und Befestigungsmittel mit einer ausreichenden Mindestbruchfestigkeit (siehe 'Bauliche Voraussetzungen' auf Seite 5).
- Hand- oder Elektrohebezeug

Weiteres Original-Greifzug-Zubehör: siehe '5 Optionales Zubehör' auf Seite 6.

Der Betreiber oder der Anlagenhersteller ist dafür verantwortlich, das Zubehör gemäß den örtlichen Gegebenheiten auszuwählen

und zu verwenden. Weitere Vorgaben in den jeweils gültigen Regelwerken und Normen müssen beachtet werden.

7 Installation und Inbetriebnahme

7.1 Richtlinien und Normen

Die Maschine entspricht den folgenden Richtlinien und Normen:

- Maschinenrichtlinie 2006/42/EG
- EN ISO 12100:2010
- Maschinen zum Heben von Personen oder von Personen und Gütern (Personentransport): EN 1808:2015

Der Betreiber oder der Anlagenhersteller ist dafür verantwortlich, dass die Maschine in den in dieser Anleitung angegebenen Grenzen verwendet wird. Die oben genannten Richtlinien und Normen müssen auch vom Betreiber oder Anlagenhersteller für die Maschine beachtet werden, in die diese Maschine eingebaut wird.

7.2 Prüfungen vor Beginn der Montage

Prüfen des Einbauortes

Allgemein

- Kontrollieren, ob eine fachgerechte Montage durch andere Bauteile behindert wird.
Im Einbauraum dürfen keine spitzen oder scharfkantigen Bauteile vorhanden sein.
- Kontrollieren, ob die Umlenkrolle, die Anschlagmittel und der bauseitige Aufhängepunkt die erforderliche Mindestbruchfestigkeit besitzen, siehe 'Bauliche Voraussetzungen' auf Seite 5.

Wenn ein Hebezeug direkt am Aufhängepunkt befestigt wird (siehe Abb. 5), müssen das Eigengewicht aller Komponenten im Strang und der dynamische Anteil der Belastung aus dem Hebezeugantrieb berücksichtigt werden.

- Kontrollieren, dass durch die Befestigung keine Typenschilder (siehe Abb. 6) verdeckt werden.

Prüfen der Komponenten und des Zubehörs

- Komponenten und Zubehör auf Vollständigkeit kontrollieren (siehe '3.2 Lieferumfang' auf Seite 4 und '4.2 Komponenten / Baugruppen' auf Seite 5).
- Auf Schäden kontrollieren.

7.3 Montage

Voraussetzungen

- Die Montage darf nur durch geschultes Personal erfolgen.
- Der Arbeitsplatz muss ausreichend beleuchtet sein.
- Schwere Trägerklammen mit zwei Personen montieren.

Trägerklemme montieren

Siehe Abb. 3.

- Schraube (1) lösen.

Hinweis:

Wenn die Schraube (1) versehentlich herausgedreht wurde:

- Prüfen, ob Kupferscheibe (2) im Gewindeloch (3) vorhanden ist.

▣ ACHTUNG!

Gefahr von schweren Unfällen!

Wenn sich die Spindel trotz gelöster Schraube zum Feststellen schwer drehen lässt, ist das Gewinde der Spindel beschädigt.

- Trägerklemme zur Reparatur an die TRACTEL Greifzug GmbH einschicken.
- Klemmbacken (4) mit Spindel (5) öffnen.
- Trägerklemme am Träger (6) ansetzen.
- Klemmbacken mit Spindel (5) schließen:
Darauf achten, dass die Klemmbacken nur an den mit Pfeilen gekennzeichneten Stellen am Flansch des Trägers anliegen. Die Trägerklemme muss ohne Wackeln fest am Träger sitzen.
- Schraube (1) der Spindel festziehen.
Die Spindel darf sich nicht mehr drehen lassen.

Last anschlagen

Siehe Abb. 4.

- Haken (1) des Hebezeugs oder andere Anschlagmittel (z. B. Schäkel) so anschlagen, dass die Aufhänge-Öse (2) nach unten zeigt.
Darauf achten, dass die Größe des Hakens (1) zur Aufhänge-Öse (2) passt. Die Sicherungsklappe (3) muss geschlossen sein.

Nach der Montage

- Betriebsbereitschaft prüfen und Funktionstest durchführen, siehe '7.4 Inbetriebnahme' auf Seite 7.

7.4 Inbetriebnahme

Betriebsbereitschaft feststellen

- Befestigung der Trägerklemme kontrollieren.

Funktionstest

- Trägerklemme mit der zulässigen Last belasten.
- Schrägzug prüfen: Schrägzug ist nur in den in Tabelle 1 auf Seite II angegebenen Grenzen erlaubt!
- Ergebnis der Prüfungen schriftlich im Prüf- und Logbuch festhalten (siehe '14 Prüf- und Logbuch auf Seite 10).

DE

8 Bedienung / Betrieb

Der Bediener muss vom Betreiber in die Bedienung des Geräts angewiesen und mit dem Gebrauch betraut sein.

8.1 Prüfungen vor Arbeitsbeginn

- Betriebsbereitschaft prüfen und Funktionstest durchführen, siehe '7.4 Inbetriebnahme' auf Seite 7.

8.2 Betrieb



GEFAHR!

Verletzungsgefahr durch herabstürzende Gegenstände!

Die Last oder das Lastaufnahmemittel kann sich verhaken und herabfallen!

- Lasten gegen Herabfallen sichern.
- Lasten gegen Verdrehen sichern.
- Jedes Schwingen der Last vermeiden.
- Last, Lastaufnahmemittel und Aufhängepunkt ständig beobachten.
- Wenn nötig, mit einem Einweiser arbeiten.
- Nicht unter einer schwebenden Last aufhalten.
- Wenn nötig, Gefahrenbereich absperren.

Absturzgefahr! Verletzungsgefahr durch herabstürzende Gegenstände!

- Überlast kann zur Zerstörung der Trägerklemme oder des Hebezeugs führen!
- Beim Beladen des Lastaufnahmemittels auf die maximal zulässige Last achten.
- Auf Hindernisse im Fahrweg achten.
- Das Ziehen einer auf dem Boden liegenden Last mit Hilfe der Trägerklemme ist verboten!
- Schrägzug ist nur in den in Tabelle 1 auf Seite II angegebenen Grenzen erlaubt! Beachten Sie die Angaben für die Winkel α und β , siehe Tabelle 1 auf Seite II.

9 Vorhersehbarer Missbrauch

Gewährleistungs- und Haftungsansprüche bei Personen- und Sachschäden sind ausgeschlossen, wenn sie auf eine oder mehrere der folgenden Ursachen zurückzuführen sind:

- nicht bestimmungsgemäße Verwendung des Produkts, der Zubehörteile oder zum Produkt gehörender Tragmittel
- Montage auf geeigneten Trägern oder Trägern mit Zahnstange
- Einsatz in explosionsgefährdeten Bereichen oder korrosiver Umgebung
- Anschlagen der Last mit nicht passendem oder nicht ordnungsgemäßen Haken
- nicht eingehaltene Wartungsintervalle
- Reinigen mit einem Hochdruckreiniger
- unsachgemäßes Montieren, Inbetriebnehmen, Bedienen, Warten und Instandhalten
- mangelhafte Überwachung von Teilen des Geräts und Zubehör, die einem Verschleiß unterliegen
- unsachgemäß und unbefugt durchgeführte Reparaturen
- Anschweißen der Trägerklemme am Träger oder Anschweißen von Teilen an der Trägerklemme
- die Verwendung von Nicht-Original-Ersatzteilen
- Veränderung an Einstellungen von Sicherheitseinrichtungen
- unterlassene Messungen und Prüfungen zur Früherkennung von Schäden
- Überlasten des Produkts
- Verwendung der Trägerklemme zum Ausreißen, Lösen oder seitlichen Ziehen einer Last. Schrägzug ist nur in den in Tabelle 1 auf Seite II angegebenen Grenzen erlaubt!
- bewusstes Herbeiführen von Schwingbewegungen der Last
- Öffnen der Trägerklemme bei angehängter Last oder angehängtem Hebezeug
- Verwendung der Trägerklemme als Erde beim Schweißen
- Anschlagen von Lasten an der Trägerklemme an anderen Stellen als der dafür vorgesehenen Aufhänge-Öse
- Katastrophenfälle durch Fremdkörpereinwirkung und höhere Gewalt
- Für Schäden aufgrund von Umbauten und Änderungen an Produkten sowie aufgrund der Verwendung von Nicht-Originalteilen, die nicht vom Hersteller schriftlich genehmigt wurden, übernimmt dieser keine Haftung.
- Fehlerhafte oder beschädigte Produkte, Zubehörteile und Anschlagmittel dürfen nicht eingesetzt werden.
- Die Flanschbreite Maß T (siehe Tabelle 1 auf Seite II) darf nicht unterschritten werden.

10 Demontage

Siehe Abb. 4.

- Lastaufnahmemittel absetzen und ggf. abnehmen.
- Schraube (1) lösen.
- Trägerklemme mit Spindel (5) öffnen.
- Trägerklemme vom Träger nehmen.

Bei schweren Bauteilen geeignete Transporthilfsmittel verwenden oder Transport mit einer zweiten Person durchführen.

- Gerät säubern und einlagern.

11 Transport und Lagerung

Transport

Beim Transportieren Beschädigungen vermeiden.

Bei schweren Bauteilen geeignete Transporthilfsmittel verwenden oder Transport mit einer zweiten Person durchführen.

Lagerung

Trocken, staubfrei und bei gleichmäßiger Umgebungstemperatur lagern.

12 Instandhaltung

12.1 Autorisiertes Wartungspersonal



GEFAHR!

Absturzgefahr! Verletzungsgefahr durch herabstürzende Gegenstände!

Lebensgefahr durch fehlerhaft durchgeführte Instandsetzungs- und Wartungsarbeiten!

Instandsetzungs- und Wartungsarbeiten dürfen nur von folgenden autorisierten Stellen durchgeführt werden:

- der TRACTEL Greifzug GmbH
- Hebezeugwerkstätten, die von der TRACTEL Greifzug GmbH autorisiert sind
- Wartungspersonal, das von der TRACTEL Greifzug GmbH geschult und zertifiziert ist

12.2 Erforderliche Prüfungen

Für die jährliche Prüfung und außerordentliche Prüfungen ist ein schriftlicher Prüfnachweis erforderlich. Die Prüfungen müssen im Prüf- und Logbuch eingetragen werden (siehe '14 Prüf- und Logbuch auf Seite 10).

Vor jedem Gebrauch

Der ordnungsgemäße Zustand muss vor jedem Gebrauch geprüft werden, siehe '7.4 Inbetriebnahme' auf Seite 7.

Jährliche Sicherheitsüberprüfung

Die Sicherheitsüberprüfung muss jährlich durchgeführt werden.

Die Sicherheitsüberprüfung darf nur von autorisiertem Wartungspersonal durchgeführt werden, siehe '12.1 Autorisiertes Wartungspersonal' auf Seite 8. Abhängig von den Einsatzbedingungen (z. B. Betrieb in stark verschmutzter Umgebung) kann eine Zwischenprüfung notwendig sein.

Wir empfehlen eine werkseitige Überprüfung durch die TRACTEL Greifzug GmbH.

Wenden Sie sich direkt an die TRACTEL Greifzug GmbH oder Ihren Lieferanten.

12.3 Pflege und Wartung

Intervall	Arbeit	Ausführung
täglich	<ul style="list-style-type: none"> – Befestigung prüfen – Auf Verschmutzung prüfen 	Bediener
Wenn nötig	<ul style="list-style-type: none"> – Reinigen – Spindel fetten 	Vom Betreiber benannte und unterwiesene Person
Vierteljährlich	<ul style="list-style-type: none"> – Sichtprüfung der Klemmbacken (Risse, Verformungen) 	Vom Betreiber benannte und unterwiesene Person
Halbjährlich	Sichtprüfung: <ul style="list-style-type: none"> – Zustand des Trägers 	Vom Betreiber benannte und unterwiesene Person
1 x jährlich	<ul style="list-style-type: none"> – Sicherheitsüberprüfung 	Autorisiertes Wartungspersonal

12.4 Ersatzteile bestellen

Ersatzteillisten erhalten Sie von Ihrem Lieferanten oder direkt von der TRACTEL Greifzug GmbH.

Notwendige Angaben für die Bestellung finden Sie auf den Typenschildern der einzelnen Komponenten, siehe Abb. 6. Fehlende und unleserliche Schilder umgehend ersetzen.

13 Entsorgung und Umweltschutz

Das Gerät wurde aus wiederverwertbaren Materialien hergestellt. Bei einer späteren Verschrottung muss das Gerät einer ordnungsgemäßen Entsorgung zugeführt werden. Innerhalb der Europäischen Union gilt die nationale Umsetzung der Abfallrahmenrichtlinie 2008/98/EG.

Gemäß Richtlinie 2002/96/EG, in Deutschland umgesetzt im Elektro- und Elektronikgerätegesetz (ElektroG), ist der Hersteller verpflichtet, bestimmte elektrische und elektronische Komponenten zurückzunehmen und zu entsorgen. Hiervon betroffene Bauteile sind auf dem Typenschild mit folgendem Symbol gekennzeichnet:



DE

14 Prüf- und Logbuch

Der Betreiber bzw. der von ihm beauftragte Verantwortliche sind zum Führen dieses Prüf- und Logbuchs verpflichtet.

Die Eintragungen werden je nach Bedarfsfall durch den Hersteller, eine autorisierte Firma, den Bediener, einen Sachkundigen oder autorisiertes Wartungspersonal vorgenommen und unterschrieben.

Alle Vorkommnisse müssen in diesem Buch ordnungsgemäß protokolliert und unterschrieben werden. Dazu zählen z.B.:

- alle durchgeführten Prüfungen
- sämtliche Wartungsarbeiten
- Veränderungen und jede Störungsbeseitigung

VORLAGEN! Bei Bedarf kopieren und Kopie ausfüllen!

DE

14.1 Prüfung bei Inbetriebnahme (durch einen Sachkundigen)

Prüfung bei Inbetriebnahme	Datum: _____
Anmerkungen: _____	Sachkundiger: _____
_____	(Name)
_____	_____
	(Unterschrift)

14.2 Störungsbeseitigung (durch Bediener, Sachkundigen oder autorisiertes Wartungspersonal)

Nr.	Mängel	Mängel behoben	Datum:
Anmerkungen:	ja <input type="checkbox"/> nein <input type="checkbox"/>	ja <input type="checkbox"/> nein <input type="checkbox"/>	_____
_____			Name: _____
_____			Firma: _____

			(Unterschrift)

14.3 Jährliche Sicherheitsüberprüfung (durch einen Sachkundigen oder autorisiertes Wartungspersonal)

Wiederholungs-Prüfung	Datum: _____
Anmerkungen: _____	Sachkundiger: _____
_____	(Name)
_____	_____
	(Unterschrift)

14.4 Prüfbericht zur jährlichen Sicherheitsüberprüfung

Standort:		Trägerklemme-Nr.:	
Betreiber:		Anlagen-Nr.:	

Datum der Prüfung:		Mangel		Mangel		Mangel		Mangel		Mangel	
		ja	nein	ja	nein	ja	nein	ja	nein	ja	nein
1. Trägerklemme											
1.1	Sichtkontrolle	<input type="checkbox"/>	<input type="checkbox"/>	<input type="checkbox"/>	<input type="checkbox"/>	<input type="checkbox"/>	<input type="checkbox"/>	<input type="checkbox"/>	<input type="checkbox"/>	<input type="checkbox"/>	<input type="checkbox"/>
1.2	Klemmbacken auf Risse und Verformungen prüfen	<input type="checkbox"/>	<input type="checkbox"/>	<input type="checkbox"/>	<input type="checkbox"/>	<input type="checkbox"/>	<input type="checkbox"/>	<input type="checkbox"/>	<input type="checkbox"/>	<input type="checkbox"/>	<input type="checkbox"/>
1.3	Zustand der Spindel prüfen	<input type="checkbox"/>	<input type="checkbox"/>	<input type="checkbox"/>	<input type="checkbox"/>	<input type="checkbox"/>	<input type="checkbox"/>	<input type="checkbox"/>	<input type="checkbox"/>	<input type="checkbox"/>	<input type="checkbox"/>
1.4	Funktionskontrolle	<input type="checkbox"/>	<input type="checkbox"/>	<input type="checkbox"/>	<input type="checkbox"/>	<input type="checkbox"/>	<input type="checkbox"/>	<input type="checkbox"/>	<input type="checkbox"/>	<input type="checkbox"/>	<input type="checkbox"/>
Name des Prüfers:											
Unterschrift:											

DE

15 EG-Konformitätserklärung (Auszug)



Hiermit erklärt der Hersteller,

TRACTEL Greifzug GmbH
Scheidtbachstraße 19–21 51469 Bergisch Gladbach

repräsentiert durch

Dipl.-Ing. Philippe Gastineau
Geschäftsführer

KONFORMITÄTSERKLÄRUNG

dass die bezeichnete Ausrüstung den technischen Sicherheitsbestimmungen entspricht, die zum Zeitpunkt des Inverkehrbringens in der EUROPÄISCHEN UNION durch den Hersteller für die Ausrüstung gelten.

ANGEWENDETE NORMEN UND RICHTLINIEN:

2006/42/EC;
EN1808; EN ISO 12100

BEZEICHNUNG
Trägerklemme

ANWENDUNG
Personentransport

TYP
LT-1B, LT-2B, LT-3B, LT-5B, LT-10B

SERIENNUMMER

Baujahr
ab 11.2020

Die Inbetriebnahme der Maschine ist solange verboten, bis die Maschine, in welche diese eingebaut wird, als Ganzes den Bestimmungen der Richtlinie 2006/42/EC sowie dem entsprechenden nationalen Rechtserlass zur Umsetzung der Richtlinie in nationales Recht entspricht und die entsprechende Konformitätserklärung ausgestellt ist.

Die EN 1808 in der gültigen Fassung ist für das PAM anzuwenden, in dem diese Maschine eingebaut ist.

Dokumentationsverantwortlicher:

Dipl.-Ing. Philippe Gastineau, Tel.: +49 (0) 2202 1004 0
Bergisch Gladbach, Datum

DE

Sommaire

1	Généralités	2	14	Journal de contrôle et de bord	10
1.1	Termes et abréviations utilisés	2	14.1	Essai avant la première mise en service (par un expert)	10
1.2	Symboles utilisés	3	14.2	Dépannage (par l'utilisateur, un expert ou le personnel de maintenance autorisé)	10
2	Sécurité	3	14.3	Contrôle de sécurité annuel (par un expert ou par le personnel de maintenance autorisé)	10
2.1	Consignes de sécurité générales.....	3	14.4	Rapport sur le contrôle de sécurité annuel.....	11
2.2	Indications pour l'exploitant.....	3	15	Déclaration de conformité CE (extrait)	12
3	Vue d'ensemble	4			
3.1	Etat de livraison	4			
3.2	Produits fournis	4			
3.3	Description de l'appareil.....	4			
4	Description	5			
4.1	Description du fonctionnement	5			
4.2	Composants/Modules	5			
4.3	Caractéristiques techniques.....	5			
4.4	Fixation	6			
4.5	Equipements de sécurité	6			
4.6	Limites de charge.....	6			
5	Accessoires en option	6			
6	Accessoires nécessaires	6			
7	Installation et mise en service	6			
7.1	Directives et normes	6			
7.2	Contrôles avant de commencer le montage	6			
7.3	Montage	7			
7.4	Mise en service	7			
8	Fonctionnement et service	7			
8.1	Contrôles avant de commencer le travail.....	7			
8.2	Fonctionnement	8			
9	Abus évident	8			
10	Démontage	8			
11	Transport et stockage	8			
12	Entretien	9			
12.1	Personnel de maintenance autorisé	9			
12.2	Contrôles nécessaires	9			
12.3	Entretien et maintenance	9			
12.4	Commandes des pièces de rechange	9			
13	Évacuation et protection de l'environnement	9			



DANGER !

Danger de blessure par des objets qui tombent, en cas de dysfonctionnements, d'utilisation ou de manipulation incorrectes !

Si vous ne respectez pas cette notice :

cela peut entraîner des blessures graves et même mortelles, cela peut endommager l'appareil.

- Lire soigneusement la présente notice avant de monter l'appareil et de le mettre en service.
- Veuillez respecter les indications et les règles à suivre nécessaires pour utiliser l'appareil en toute sécurité.

FR

1 Généralités

Propriété intellectuelle

TRACTEL Greifzug GmbH est seul dépositaire des droits de propriété intellectuelle sur la présente notice d'utilisation.

La présente notice est destinée uniquement à l'exploitant des installations qui y sont décrites et au personnel. La présente notice doit être en tout temps à la portée de l'opérateur. Nous tenons d'autres exemplaires à votre disposition.

Aucun extrait de la présente notice ne doit être dupliqué, diffusé ou transmis d'une autre façon sans l'accord de TRACTEL Greifzug GmbH.

Toute infraction est susceptible de donner lieu à des poursuites pénales.

FR

Adresse du fabricant

Point de vente et service :

TRACTEL Greifzug GmbH

Scheidtbachstraße 19-21
51469 Bergisch Gladbach, Allemagne

Postfach 20 04 40
51434 Bergisch Gladbach, Allemagne

Téléphone : +49 (0) 22 02 / 10 04-0
Télécopie : +49 (0) 22 02 / 10 04-50 + 70

TRACTEL Greifzug GmbH se réserve le droit, dans le cadre du perfectionnement des produits, de procéder à des modifications du produit décrit dans cette notice.

Les clients peuvent obtenir par les entreprises du groupe TRACTEL ou par les agents d'entretien agréés du groupe TRACTEL, sur demande, de la documentation sur les autres produits de TRACTEL: Engins de levage et accessoires, plates-formes fixes ou mobiles pour le déplacement à l'intérieur ou à l'extérieur des bâtiments, matériel d'élingage, sécurités antichute pour charges, équipements de protection individuelle contre les chutes, instruments de mesure de force de traction et de tension de câble, etc. Vous pouvez aussi consulter le site Web TRACTEL www.tractel.com.

Le groupe TRACTEL et son réseau de concessionnaires mettront à votre disposition si nécessaire leur service de réparation et leur service après-vente.

1.1 Termes et abréviations utilisés

Dans cette notice, les termes suivants signifient :

Installation / Machine

Conformément à la Directive sur les machines 2006/42/CE, les plates-formes, engins de levage et matériels d'élingage servant pour le levage sont considérés comme des machines (quasi-machines). L'équipement dans lequel la quasi-machine décrite ici est intégrée est considéré installation ou aussi machine.

Fabricant de l'installation

Le fabricant de l'installation (conception, fabrication, montage) est celui qui met en circulation l'installation et tous les composants nécessaires. Le fabricant de l'installation est responsable du projet, de la fabrication, du montage et de la mise en circulation.

Matériel d'élingage

Le matériel d'élingage désigne les équipements qui n'appartiennent pas à l'engin de levage et qui établissent la liaison entre l'élément de suspension des charges ou la charge et la plate-forme (par exemple boucle de câble, élingue ronde, maillons, crochet de levage à émerillon, crochet à anneau, poulie de renvoi).

Point d'élingage, point de suspension

Partie de la construction de suspension du client sur laquelle peuvent être élingués le câble porteur, le câble de sécurité, les poulies de renvoi ou l'engin de levage, indépendamment les uns des autres.

Opérateur

Personne formée par l'exploitant pour pouvoir utiliser le produit et familiarisée avec son utilisation.

Exploitant

L'exploitant est responsable du bon fonctionnement de l'installation / l'appareil, ainsi que du respect des intervalles d'entretien, et de la réalisation des travaux de réparation.

Dispositif antichute

Dispositif pour retenir des plates-formes pour du matériel, en cas de rupture du câble porteur ou de dysfonctionnements, p. ex. défaillance de l'entraînement des treuils.

Charge suspendue totale

La charge suspendue totale est la charge statique dont l'effort s'exerce sur la suspension, composée de la charge utile, du poids propre du moyen d'élingage, de l'équipement supplémentaire, des câbles métalliques et des câbles de commande et de raccordement.

Engin de levage / Machine de levage des charges

Appareil ou équipement composé d'un appareil avec l'élément de suspension des charges pour le levage ou le transport des charges (par exemple treuil ou treuil avec câble et crochet de levage à émerillon).

Client/Client final

Le client ou le client final est le client du fabricant de l'installation et peut aussi être simultanément l'exploitant.

Plates-formes de levage pour charges (PLC)

Une pièce ou élément d'équipement n'appartenant pas à la machine, permettant la préhension de la charge, installé entre la quasi-machine et la charge ou sur la charge et destiné à devenir partie intégrante de la charge. Sont également considérés plates-formes de levage les matériels d'élingage et leurs parties constitutives.

Plates-formes de levage pour matériel (PFM)

Plates-formes de levage destinées au matériel.

Capacité de charge maximale

La capacité de charge maximale indique quelle est la charge ne devant pas être dépassée sur l'appareil. La capacité de charge maximale est indiquée sur la plaque signalétique.

Charge utile

La charge utile est la charge pouvant être levée, tirée et maintenue en suspension par l'appareil. La charge utile peut être supérieure à la capacité de charge maximale par mouflage conformément au principe du palan. Il est interdit de dépasser la capacité de charge maximale par mouflage.

Plates-formes suspendues à niveau variable

Plates-formes destinées aux personnes. Comprend aussi les combinaisons de plates-formes pour le matériel et les personnes.

Personne compétente

Une personne désignée et formée en conséquence, qui est capable de par ses connaissances et son expérience pratique et avec les instructions nécessaires, de réaliser les travaux requis.

Pièces au contact des câbles

Les pièces au contact des câbles sont les treuils, les poulies de renvoi, les antichutes et autres dispositifs traversés par les câbles ou au contact des câbles.

Élément de suspension des charges

Est considéré élément de suspension des charges tout équipement relié à l'engin de levage pour la préhension de la plate-forme de levage, du matériel d'élingage ou de la charge (par exemple un crochet solidaire du câble porteur).

Personnel de maintenance

Une personne désignée et formée par TRACTEL Greifzug GmbH détenant un certificat valide, qui est capable, avec les instructions nécessaires, de réaliser les travaux d'entretien, de contrôle et de réparations requis.

1.2 Symboles utilisés

**DANGER !**

Type et source du danger.

Conséquence : p. ex. blessures gravissimes ou mortelles.

- Mesures qui permettent d'éviter ce danger.

ATTENTION !

Type et source du danger.

Conséquence : p. ex. dommages matériels ou écologiques.

- Mesures qui permettent d'éviter ces dommages.

Indication :

Ce symbole n'indique pas des consignes de sécurité, mais donne des informations pour mieux comprendre les opérations.



Ce symbole est destiné à marquer les appareils pour le transport des personnes et des matériaux.

2 Sécurité

2.1 Consignes de sécurité générales

**DANGER !**

Danger d'accident grave en cas de dysfonctionnements, d'utilisation ou de manipulation incorrectes !

- Respecter les indications suivantes pour assurer une utilisation en toute sécurité et un fonctionnement correct de l'appareil !
- Respecter aussi les consignes de sécurité spéciales pour les travaux qui doivent être exécutés mentionnées dans les chapitres individuels de la présente notice d'utilisation.

- Il est interdit d'utiliser des appareils défectueux et endommagés ; il est interdit de rapporter des pièces accessoires et des moyens d'élingage.
- Tenir compte des indications pour le transport, le stockage et le nettoyage, à partir de la page 8.
- Respecter les fiches de sécurité du fabricant de lubrifiant.
- Les moyens de fixation doivent être conformes aux indications de cette notice et aux normes/directives en vigueur.
- Il est interdit de dépasser la capacité de charge maximale.
- Les travaux de réparation et d'entretien seront exécutés uniquement par les personnes autorisées, cf. '12.1 Personnel de maintenance autorisé' page 9.
- Le montage et la manipulation ne doivent être effectués que par du personnel formé à cet effet en tenant compte de cette notice.
- Les utilisateurs privés sont obligés de se faire former par TRACTEL Greifzug GmbH pour le montage, l'utilisation et l'entretien de l'appareil.
- Il est interdit de se tenir sous la charge en suspension. Si nécessaire, bloquer la zone dangereuse. Retenir la charge qui s'est accrochée ou coincée et sécuriser.
- Pour les travaux de soudure, respecter les prescriptions nationales de sécurité et de protection du travail.

2.2 Indications pour l'exploitant

- Si plus d'une personne est chargée du travail décrit ici, l'exploitant nommera un responsable de la surveillance ayant pouvoir d'injonction.
- L'exploitant est responsable de la fourniture d'instructions d'utilisation, de maintenance, d'entretien et d'autres instructions de service claires, et doit assurer par la formation et

FR

l'initiation du personnel, l'utilisation correcte et conforme à l'emploi prévu, ainsi que la manipulation correcte de l'appareil.

- L'exploitant est responsable du bon fonctionnement de l'installation, ainsi que du respect des intervalles d'entretien, et de la réalisation des travaux d'entretien.
- L'exploitant est tenu de tenir un journal de contrôle et de bord (cf. '14 Journal de contrôle et de bord' page 10).
- Dans l'Union Européenne, il faut appliquer la directive 89/391/CEE. Il faut respecter les dispositions nationales de protection au travail dans le pays concerné.
- Mettre des équipements de protection appropriés à disposition, tels que par ex. des gants de protection, une protection auditive et un système antichute. La protection contre les conditions météorologiques extrêmes (par ex. la protection contre le soleil, contre le froid) fait partie de l'équipement de protection individuelle.
- S'assurer que le poste de travail est toujours suffisamment éclairé.
- La présente notice et les notices des pièces accessoires seront remises au personnel en charge des travaux. Ces documents seront toujours tenus à portée de la main.
- Étant donné que TRACTEL Greifzug GmbH ignore le cas d'application du produit décrit dans le présent document, l'exploitant est tenu d'informer son personnel sur les consignes de sécurité supplémentaires et sur les travaux d'entretien complémentaires.
- Le produit doit être monté conformément aux indications contenues dans la présente notice d'utilisation. L'exploitant de l'installation assume l'entière responsabilité de l'adaptation des moyens d'élevage.
- Les moyens de fixation doivent être conformes aux indications de cette notice et aux normes/directives en vigueur.
- Le fonctionnement sécurisé n'est pas assuré si des pièces de rechange non originales sont utilisées. C'est le cas en particulier pour l'utilisation de câbles qui ne sont pas homologués d'origine tels qu'ils sont prescrits et destinés à l'application en cause. Le droit de garantie à l'encontre du fabricant devient alors caduc. Les produits ne portant pas la marque CE perdent leur validité.
- Tenir compte de la plage de température admissible, cf. Fig. 1.

3 Vue d'ensemble

3.1 Etat de livraison

A la livraison, le matériel est entièrement assemblé.

3.2 Produits fournis

Pince poutrelles :

- Clé à six pans creux (Allen)

Documentation :

- Notice de montage et d'utilisation d'origine
- Déclaration de conformité CE

3.3 Description de l'appareil

Utilisation normale

Pince poutrelles

Les pinces à poutrelles servent :

- de point d'élingage pour les engins de levage, les poulies de renvoi, les plates-formes de travail et les nacelles de travail (voir Fig. 4 et fig. 5)

Les pinces poutrelles sont fixées sur les supports avec profilé I ou H.

L'effort de montée et de descente doit s'appliquer uniquement à la verticale ! La traction en biais n'est possible que dans les limites indiquées dans le Tableau 1 à la page II ! Cf. aussi Fig. 7.

Caractéristiques de l'appareil

TRACTEL Greifzug GmbH ne connaît pas les conditions exactes sur site. L'utilisation exacte est fixée par l'exploitant ou le fabricant de l'installation.

Les travaux de réparation et d'entretien seront exécutés uniquement par les personnes autorisées, cf. '12.1 Personnel de maintenance autorisé' page 9.

Exigences de protection de la santé et de la sécurité

TRACTEL Greifzug GmbH déclare que la machine décrite dans la présente notice satisfait aux consignes de sécurité technique qui s'imposent au fabricant de l'équipement à la date de mise en circulation à l'intérieur de l'Union Européenne.

Il est interdit de mettre la quasi-machine en service avant que l'installation dans laquelle elle sera incorporée soit conforme aux dispositions de la Directive 2006/42/CE et à la législation nationale de transposition et que la déclaration de conformité afférente soit établie.

- L'exploitant ou le fabricant de l'installation est tenu de réaliser une évaluation des risques conformément à l'annexe I de la directive 2006/42/CE.
- L'exploitant ou le fabricant de l'installation est tenu d'exécuter une procédure d'évaluation de la conformité conformément à l'article 12, alinéa 3 ou 4 de la directive 2006/42/CE sur les machines destinées au levage des personnes ou des personnes et des charges qui sont concernées par l'annexe IV, n° 17 de la directive 2006/42/CE. La norme EN 1808 doit être prise en considération lors de la planification de l'installation.

Exclusions de garantie et de responsabilité

Cf. '9 Abus évident' page 8.

Toute utilisation divergeant des indications mentionnées ici est considérée interdite. TRACTEL Greifzug GmbH n'est pas responsable des dommages qui en résulteraient. L'exploitant est seul responsable des risques d'une utilisation interdite. L'utilisation normale comprend aussi l'observation de toutes les indications de la notice, en particulier des réglementations de montage et de maintenance.

Domaine d'utilisation

L'appareil est adapté pour les conditions d'exploitation suivantes :

- Pour installation fixes ou mobiles
- Pour utilisation à court terme
- Plage de température admissible, cf. Fig. 1



DANGER !

Danger d'accident grave !

- Il est interdit d'utiliser le treuil dans les zones soumises à des risques d'explosion.
- L'utilisation est interdite en atmosphère corrosive.¹⁾
- L'utilisation est interdite à proximité de la flamme nue ou dans une atmosphère à température élevée.

¹⁾ Protection anticorrosion conformément aux spécifications de la commande

Conditions de construction

Consignes générales

La conception du client pour la fixation de l'appareil doit être conforme aux directives et normes en vigueur (cf. '7.1 Directives et normes' page 6).

La conception de suspension sera conçue en fonction de la charge suspendue totale pour les interventions prévues. La charge suspendue totale est la charge statique dont l'effort s'exerce sur la suspension, composée de la charge utile, du poids propre du moyen d'élingage, de l'équipement supplémentaire, des câbles métalliques et des câbles de commande et de raccordement.

Installations pour le transport des personnes :

Les plates-formes à niveau variable doivent être équipées d'un antichute qui protège contre la chute de la charge, par ex. au moyen d'un câble de sécurité.

Plaques signalétiques et panneaux d'avertissement / Limites de l'utilisation

Remplacer immédiatement les plaques signalétiques et les plaques d'avertissement manquantes et illisibles.

Cf. Fig. 6.

Rep.	Désignation
1	Plaque signalétique

Les plaques signalétiques comprennent les informations nécessaires.

Directives et normes

Directives et normes ayant été appliquées : cf. '7.1 Directives et normes' page 6.

Versions de produits dans la notice

La présente notice décrit les modèles de produits indiqués Tableau 1 page II.

FR

4 Description

4.1 Description du fonctionnement

Les pinces poutrelles sont fixées sur les supports avec profilé I ou H. Les mâchoires de la pince poutrelles se placent sur la bride du support. L'adaptation des mâchoires aux dimensions du support est réalisé sur la broche.

Le dispositif de levage embarqué est fixé par un crochet sur l'oeillet.

4.2 Composants/Modules

Cf. Fig. 2.

Rep.	Désignation
1	Mâchoire
2	Œillet d'accrochage
3	Broche a : Axe de la broche
4	Boulon d'arrêt 4.1 Goupille fileté 4.2 Rondelle en cuivre
	Clé à six pans creux (Allen) (sans représentation)

4.3 Caractéristiques techniques

Vous trouverez les caractéristiques techniques dans le Tableau 1 page II.

4.4 Fixation

Les pincés poutrelles sont fixées sur les supports avec profilé I ou H.

- Respecter les dimensions admissibles de profilé pour la pince poutrelles utilisée, cf. Tableau 1 page II.
- Respecter la capacité de charge maximale, cf. Tableau 1 en page II.

Cf. aussi '7.3 Montage' page 7.

4.5 Equipements de sécurité

Boulon d'arrêt

Destiné à bloquer la broche pendant le fonctionnement, afin qu'elle ne se détache pas inopinément et provoque la chute de la pince poutrelles.

4.6 Limites de charge



DANGER !

Fixation non conforme ! Utilisation non conforme !

Risque de blessure par chute d'objets !

Vous tiendrez compte du fait qu'en fonction de la disposition de l'engin de levage, de la poulie de renvoi et de la charge, la charge s'accroît sur la poulie de renvoi, le matériel d'élingage et le point de fixation !

- La résistance minimale à la rupture du support doit être de 4 fois la capacité de charge maximale de l'engin de levage pour la configuration du montage d'exploitation. (Cf. 'Fig. 7 Fig. 'a' et 'b').
- Lorsque l'engin de levage est fixé directement sur le point d'élingage (cf. Fig. 7), le poids propre de tous les composants sur la ligne de force et le taux de la charge dynamique provenant de l'entraînement de l'engin de levage doivent être pris en compte.

Fixation non conforme ! Utilisation non conforme !

La traction en biais n'est possible que dans les limites indiquées dans le Tableau 1 à la page II !

- Respecter les dimensions des angles α et β , cf. Tableau 1 page II.

5 Accessoires en option

En complément, il est possible d'acheter les accessoires suivants :

- Treuils à moteur tirak™
- Commande à câble polyvalente greifzug™ à commande manuelle
- Commande à câble minifor™
- Palan à chaîne électrique tralift™ TE
- Levier de manoeuvre bravo™

- Palan tralift™
- Poulies de renvoi, adaptateur

Pour ce matériel, veuillez vous adresser directement à TRACTEL Greifzug GmbH.

6 Accessoires nécessaires

Pour pouvoir utiliser l'appareil, vous avez besoin des accessoires suivants qui ne figurent pas dans la livraison :

- Moyen d'élingage avec moyen de fixation d'une résistance minimale à la rupture suffisante (cf. 'Conditions de construction' page 5).
- Appareil de levage manuel ou électrique

Autres accessoires Greifzug d'origine : cf. '5 Accessoires en option' page 6.

L'exploitant ou le fabricant de l'installation est responsable de la sélection et de l'utilisation des accessoires conformément aux conditions locales. Il convient de respecter les autres spécifications indiquées dans les normes et directives respectivement en vigueur.

7 Installation et mise en service

7.1 Directives et normes

La machine satisfait aux directives et normes suivantes :

- Directive sur les machines 2006/42/CE
- EN ISO 12100:2010
- Machines destinées au levage des personnes et des charges (transport des personnes) : EN 1808:2015

L'exploitant ou le fabricant de l'installation endosse la responsabilité de l'utilisation de la quasi-machine dans les limites indiquées dans la présente notice. L'exploitant ou le fabricant de l'installation doivent aussi s'assurer que la machine dans laquelle la quasi-machine est intégrée satisfasse aux directives et normes ci-dessus.

7.2 Contrôles avant de commencer le montage

Contrôle de l'emplacement de montage

Généralités

- S'assurer que les pièces extérieures ne gênent pas la conformité du montage.
Aucune pièce pointue ou tranchante ne doit se trouver dans le logement.

- S'assurer que la poulie de renvoi, le matériel d'élingage et le point de fixation sur le site ont la capacité de charge minimale requise, cf. 'Conditions de construction' page 5.

Lorsque l'engin de levage est fixé directement sur le point d'élingage (cf. Fig. 5), le poids propre de tous les composants sur la ligne de force et le taux de la charge dynamique provenant de l'entraînement de l'engin de levage doivent être pris en compte.

- Contrôler que les plaques signalétiques ne sont pas recouvertes par la fixation (cf. Fig. 6).

Contrôle des composants et des accessoires

- S'assurer que les composants et les accessoires sont au complet (cf. '3.2 Produits fournis' page 4 et '4.2 Composants/Modules' page 5).
- S'assurer qu'aucune pièce n'est endommagée.

7.3 Montage

Conditions

- Le montage ne doit être effectué que par du personnel formé.
- Le poste de travail doit être suffisamment éclairé.
- Deux personnes sont nécessaires pour monter les pinces poutrelles lourdes.

Monter la pince poutrelles

Siehe Fig. 3.

- Dévisser le boulon (1).

Remarque :

Si le boulon (1) a été dévissé par inadvertance :

- S'assurer que la rondelle en cuivre (2) est en place dans le taraudage (3).

▣ ATTENTION !

Risque d'accident grave !

Si la broche tourne difficilement alors que le boulon d'arrêt est dévissé, c'est le signe que le filetage de la broche est endommagé !

- Envoyer la pince poutrelles à TRACTEL Greifzug GmbH pour réparation.

- Ouvrir les mâchoires (4) avec la broche (5).
- Placer la pince poutrelles (6) sur le support.
- Fermer les mâchoires avec la broche (5) :
Veiller à ce que les mâchoires s'appliquent uniquement sur les surfaces de la bride de support indiquées par des flèches. La pince poutrelles doit être stable sur le support.

- Serrer le boulon (1) de la broche.
La broche ne doit plus pouvoir être tournée.

Accrocher la charge

Cf. Fig. 4.

- Accrocher le crochet (1) de l'appareil de levage ou autre moyen d'élingage (par exemple maillon) de manoeuvre que l'oeillet (2) soit orienté vers le bas.

S'assurer que les dimensions du crochet (1) sont adaptées pour l'oeillet (2). Le clapet de sécurité (3) doit être fermé.

Après le montage

- S'assurer de la disponibilité et effectuer un essai de fonctionnement, cf. '7.4 Mise en service, Essai de fonctionnement' page 7.

FR

7.4 Mise en service

Constater la disponibilité

- Contrôler la fixation de la pince poutrelles.

Essai de fonctionnement

- Charger la pince poutrelles avec une charge autorisée.
- Respecter les limites de traction en biais : la traction en biais n'est possible que dans les limites indiquées dans le Tableau 1 à la page II !
- Enregistrer le résultat des contrôles au journal de contrôle et de bord (cf. '14 Journal de contrôle et de bord page 10).

8 Fonctionnement et service

L'opérateur doit être formé par l'exploitant pour pouvoir utiliser l'appareil, et doit être familiarisé avec son utilisation.

8.1 Contrôles avant de commencer le travail

- S'assurer de la disponibilité et effectuer un essai de fonctionnement, cf. '7.4 Mise en service, Essai de fonctionnement' page 7.

8.2 Fonctionnement



DANGER!

Danger de blessure par des objets qui tombent !

La charge ou la plate-forme peut s'accrocher et tomber !

- Arrimer les charges pour prévenir toute chute.
- Arrimer les charges pour prévenir toute torsion.
- Éviter tout balancement de la charge.
- Observer en permanence la charge, la plate-forme et le point de suspension.
- Si nécessaire, travailler avec un formateur.
- Ne pas se tenir sous une charge en suspension.
- Si nécessaire, interdire l'accès à la zone dangereuse.

Risque de chute ! Danger de blessure par des objets qui tombent !

- La surcharge peut provoquer la destruction de la pince poutrelles ou de l'engin de levage !
- Veiller à la charge maximale admissible en chargeant la plate-forme.
- S'assurer qu'il n'y ait aucun obstacle sur la course de déplacement.
- Il est interdit de tirer une charge au sol avec la pince poutrelles !
- La traction en biais n'est possible que dans les limites indiquées dans le Tableau 1 à la page II ! Respecter les dimensions des angles α et β , cf. Tableau 1 page II.

FR

- Omission des mesures et contrôles pour la détection des dommages en temps utile.
- Surcharge de l'appareil.
- Utilisation de la pince poutrelles pour débloquer, détacher ou tirer latéralement une charge. La traction en biais n'est possible que dans les limites indiquées dans le Tableau 1 à la page II !
- Oscillations répercutées sur la charge.
- Ouverture de la pince poutrelles alors qu'une charge est en suspension ou que l'engin de levage est accroché.
- Utilisation de la pince poutrelles comme mise à la terre pendant les travaux de soudure.
- Elingage de charge sur la pince poutrelles sur d'autres points que l'œillet d'accrochage prévu à cet effet.
- Accident provoqué par un corps étranger et cas de force majeure.
- Le fabricant n'endosse aucune responsabilité pour les dommages provenant de conversions et de modifications ou de l'utilisation de pièces non originales, sans autorisation écrite explicite de celui-ci.
- Il est interdit d'utiliser des appareils défectueux et endommagés ; il est interdit de rapporter des pièces accessoires et des moyens d'elingage.
- Il est interdit de dépasser par défaut la largeur de bride, cote T (cf. Tableau 1 page II).

9 Abus évident

Les droits à la garantie et de responsabilité en cas de dommages corporels ou matériels sont exclus, s'ils proviennent de l'une ou de plusieurs raisons suivantes :

- Utilisation non conforme de l'appareil, des accessoires ou d'éléments de suspension des charges appartenant à l'appareil.
- Montage sur des supports inclinés ou sur supports à crémaillère.
- Exploitation en atmosphère explosible ou corrosive.
- Elingage de la charge avec un crochet non adapté ou non conforme.
- L'entretien n'a pas été effectué aux intervalles prescrits.
- Nettoyage avec un nettoyeur à haute pression.
- Montage, mise en service, utilisation, entretien et réparation non conformes.
- Contrôle insuffisant des pièces de l'appareil ou des accessoires qui sont soumis à l'usure.
- Réparations non conformes, effectuées par une personne non autorisée.
- Soudure de la pince poutrelles sur le support ou soudure de pièces sur la pince poutrelles.
- Utilisation de pièces de rechange qui ne sont pas d'origine.
- Modification des réglages des équipements de sécurité.

10 Démontage

Cf. Fig. 4.

- Déposer et retirer éventuellement la plate-forme.
- Dévisser le boulon (1).
- Ouvrir la pince poutrelles avec la broche (5).
- Retirer la pince poutrelles du support.

Pour manutentionner les pièces pondéreuses, utiliser un moyen de transport approprié ou faire exécuter le transport par deux personnes.

- Nettoyer et stocker le châssis.

11 Transport et stockage

Transport

Prévenir les dommages pendant le transport.

Pour manutentionner les pièces pondéreuses, utiliser un moyen de transport approprié ou faire exécuter le transport par deux personnes.

Stockage

Stocker le treuil au sec, à l'abri de la poussière et à une température ambiante uniforme.

12 Entretien

12.1 Personnel de maintenance autorisé



Risque de chute ! Risque de blessure par chute d'objets !

Danger de mort suite à des réparations ou des travaux de maintenance non conformes !

Seuls les services autorisés peuvent réaliser les travaux de réparation et d'entretien :

- TRACTEL Greifzug GmbH,
- les ateliers pour engins de levage autorisés par TRACTEL Greifzug GmbH,
- le personnel de maintenance formé et certifié par TRACTEL Greifzug GmbH.

12.2 Contrôles nécessaires

Pour le contrôle annuel et les contrôles exceptionnels, il faut un certificat de contrôle écrit. Les contrôles seront enregistrés au journal de contrôle et de bord (cf. '14 Journal de contrôle et de bord page 10).

Avant toute utilisation

Avant chaque utilisation, s'assurer de la conformité du matériel, cf. '7.4 Mise en service' page 7.

Contrôle de sécurité annuel

Le contrôle de sécurité doit être exécuté une fois par an.

Le contrôle de sécurité doit être effectué uniquement par le personnel de maintenance autorisé, cf. '12.1 Personnel de maintenance autorisé' page 9. Suivant les conditions d'utilisation (par ex. un fonctionnement dans un environnement extrêmement encrassé), un contrôle intermédiaire peut être nécessaire.

Nous recommandons un contrôle à l'usine par TRACTEL Greifzug GmbH.

Veillez vous adresser directement à TRACTEL Greifzug GmbH ou à votre fournisseur.

12.3 Entretien et maintenance

Intervalle	Travail	A faire par
Tous les jours	- Vérifier la fixation - S'assurer que le matériel n'est pas encrassé.	Opérateur
Si nécessaire	- Nettoyage - Graisser la broche	Personne désignée par l'exploitant et formée à cet effet
Tous les trois mois	- Contrôle visuel des mâchoires (fissures, déformations)	Personne désignée par l'exploitant et formée à cet effet
Tous les six mois	Contrôle visuel : - État du support	Personne désignée par l'exploitant et formée à cet effet
1 x par an	- Contrôle de sécurité.	Personnel de maintenance autorisé

FR

12.4 Commandes des pièces de rechange

Vous pouvez obtenir les listes des pièces de rechange par votre fournisseur ou directement par la TRACTEL Greifzug GmbH.

Vous trouverez les indications nécessaires pour la commande, sur les plaques signalétiques des différents composants, cf. Fig. 6. Remplacer immédiatement les plaques et les panneaux manquants ou illisibles.

13 Évacuation et protection de l'environnement

L'appareil a été fabriqué à partir de matériaux recyclables. Lors de la mise au rebut, l'appareil doit être éliminé dans une déchetterie adaptée. Dans l'Union Européenne, il faut appliquer la directive 2008/98/CE relative aux déchets.

Conformément à la directive 2002/96/CE, en Allemagne, loi sur les appareils électriques et électroniques (ElektroG), le fabricant est obligé de reprendre et d'éliminer les composants électriques et électroniques. Les composants concernés sont indiqués par le symbole suivant sur la plaque signalétique :



14 Journal de contrôle et de bord

L'exploitant et le surveillant de l'aide à la montée nommé par lui sont tenus de tenir à jour un journal de contrôle et de bord.

Les enregistrements sont effectués et signés selon les nécessités par le fabricant, par la société déléguée, par l'utilisateur, par un expert ou par le personnel de maintenance autorisé.

Tous les incidents seront enregistrés au journal et les enregistrements seront signés. Il s'agit par exemple :

- de tous les contrôles ayant été réalisés
- de tous les travaux de maintenance
- des modifications et tous les dépannages

MODELES ! Copier si nécessaire et remplir la copie !

14.1 Essai avant la première mise en service (par un expert)

FR

Essai à la mise en service	Date : _____
Remarques : _____	Expert : _____
_____	(Nom)
_____	_____
	(Signature)

14.2 Dépannage (par l'utilisateur, un expert ou le personnel de maintenance autorisé)

N°	Défauts	Dépannage	Date : _____
Remarques :	oui <input type="checkbox"/> non <input type="checkbox"/>	oui <input type="checkbox"/> non <input type="checkbox"/>	Nom : _____
_____			Société : _____
_____			_____
			(Signature)

14.3 Contrôle de sécurité annuel (par un expert ou par le personnel de maintenance autorisé)

Contrôles répétitifs	Date : _____
Remarques : _____	Expert : _____
_____	(Nom)
_____	_____
	(Signature)

14.4 Rapport sur le contrôle de sécurité annuel

Site :		N° de la pince poutrelles :	
Utilisateur :		N° de l'installation :	

Date du contrôle :		Défaut		Défaut		Défaut		Défaut		Défaut	
		oui	non	oui	non	oui	non	oui	non	oui	non
1. Pince à poutrelles											
1.1	Contrôle visuel	<input type="checkbox"/>	<input type="checkbox"/>	<input type="checkbox"/>	<input type="checkbox"/>	<input type="checkbox"/>	<input type="checkbox"/>	<input type="checkbox"/>	<input type="checkbox"/>	<input type="checkbox"/>	<input type="checkbox"/>
1.2	S'assurer que les mâchoires ne présentent ni fissures ni déformations.	<input type="checkbox"/>	<input type="checkbox"/>	<input type="checkbox"/>	<input type="checkbox"/>	<input type="checkbox"/>	<input type="checkbox"/>	<input type="checkbox"/>	<input type="checkbox"/>	<input type="checkbox"/>	<input type="checkbox"/>
1.3	Contrôler l'état de la broche.	<input type="checkbox"/>	<input type="checkbox"/>	<input type="checkbox"/>	<input type="checkbox"/>	<input type="checkbox"/>	<input type="checkbox"/>	<input type="checkbox"/>	<input type="checkbox"/>	<input type="checkbox"/>	<input type="checkbox"/>
1.4	Contrôle des fonctions	<input type="checkbox"/>	<input type="checkbox"/>	<input type="checkbox"/>	<input type="checkbox"/>	<input type="checkbox"/>	<input type="checkbox"/>	<input type="checkbox"/>	<input type="checkbox"/>	<input type="checkbox"/>	<input type="checkbox"/>
Nom du contrôleur :											
Signature :											

FR

15 Déclaration de conformité CE (extrait)



Le fabricant déclare par la présente

TRACTEL Greifzug GmbH
Scheidtbachstraße 19–21 51469 Bergisch Gladbach

représenté par

Dipl.-Ing. Philippe Gastineau
directeur général

DÉCLARATION DE CONFORMITÉ

que l'équipement désigné est conforme aux règles techniques de sécurité qui lui sont applicables à la date de mise sur le marché de l'UNION EUROPÉENNE par le fabricant.

NORMES ET DIRECTIVES APPLIQUÉES :

2006/42/EC;
EN1808; EN ISO 12100

DÉSIGNATION

Pince poutrelles

APPLICATION

Transport des personnes

MODÈLE

LT-1B, LT-2B, LT-3B, LT-5B, LT-10B

NUMÉRO DE SÉRIE

Année de construction
à partir de novembre 2020

Il est interdit de mettre la quasi-machine en service avant que la machine dans laquelle elle sera incorporée soit conforme dans son intégralité aux dispositions de la Directive 2006/42/CE et à la législation nationale de transposition et que la déclaration de conformité afférente soit établie.

La norme EN 1808 dans la version en vigueur doit être appliquée à la plate-forme suspendue à niveau variable sur laquelle la quasi-machine est installée.

Responsable de la documentation :

Dipl.-Ing. Philippe Gastineau, tél. : +49 (0) 2202 1004 0
Bergisch Gladbach, date

FR

Inhoudsopgave

1	Algemeen	2	14	Inspectie- en logboek	10
1.1	Toegepaste begrippen en afkortingen	2	14.1	Inspectie bij inbedrijfstelling (door een expert)	10
1.2	Toegepaste symbolen.....	3	14.2	Storingsopheffing (door operator, expert of geautoriseerd onderhoudspersoneel).....	10
2	Veiligheid	3	14.3	Jaarlijkse veiligheidscontrole (door operator, expert of geautoriseerd onderhoudspersoneel).....	10
2.1	Algemene veiligheidsaanwijzingen	3	14.4	Keuringsrapport bij de jaarlijkse veiligheidscontrole	11
2.2	Aanwijzingen voor de exploitant	3	15	EG-Conformiteitsverklaring (uittreksel)	12
3	Overzicht	4			
3.1	Leveringstoestand.....	4			
3.2	Omvang van de levering	4			
3.3	Beschrijving van het apparaat.....	4			
4	Beschrijving	5			
4.1	Functiebeschrijving	5			
4.2	Componenten/bouwgroepen.....	5			
4.3	Technische gegevens	5			
4.4	Bevestiging	6			
4.5	Veiligheidsvoorzieningen	6			
4.6	Belastingslimieten	6			
5	Optionele toebehoren	6			
6	Noodzakelijke toebehoren	6			
7	Installatie en inbedrijfstelling	6			
7.1	Richtlijnen en normen	6			
7.2	Controles voor aanvang van de montage	6			
7.3	Montage	7			
7.4	Inbedrijfstelling	7			
8	Bediening/werking	7			
8.1	Controles voor aanvang van het werk	7			
8.2	Bedrijf.....	8			
9	Te voorzien misbruik	8			
10	Demontage	8			
11	Transport en opslag	8			
12	Onderhoud/service	9			
12.1	Geautoriseerd onderhoudspersoneel	9			
12.2	Noodzakelijke controles	9			
12.3	Service en onderhoud.....	9			
12.4	Reserveonderdelen bestellen	9			
13	Afvalverwijdering en milieubescherming	9			



GEVAAR!

Gevaar voor letsel door vallende voorwerpen, foutieve functies, verkeerd gebruik en foutieve bediening!

- Wanneer u deze handleiding niet in acht neemt: kan dit ernstig letsel en de dood tot gevolg hebben kan er schade aan het apparaat ontstaat.
- Lees deze handleiding zorgvuldig door voordat u het apparaat monteert en in bedrijf stelt.
 - Neem ook de aanwijzingen en gedragsregels in acht die noodzakelijk zijn voor een veilige werking van het apparaat.

NL

1 Algemeen

Auteursrecht

De auteursrechten over deze handleiding berusten bij de TRACTEL Greifzug GmbH.

Deze handleiding is alleen bestemd voor de exploitant van de hierin beschreven installaties en voor diens personeel. Deze handleiding moet voor elke gebruiker/bedienende persoon toegankelijk zijn. Verdere exemplaren kunnen aangevraagd worden.

Zonder toestemming van de TRACTEL Greifzug GmbH mogen geen bestanddelen van deze handleiding worden vermenigvuldigd, verspreid of op andere wijze openbaar worden gemaakt.

Overtredingen kunnen strafrechtelijk worden vervolgd.

Adres van de producent

Verkoop- en servicelocatie:

TRACTEL Greifzug GmbH

Scheidt bachstraße 19-21
51469 Bergisch Gladbach, Duitsland

Postfach 20 04 40
51434 Bergisch Gladbach, Duitsland

Telefoon: +49 (0) 22 02 / 10 04-0
Telefax: +49 (0) 22 02 / 10 04-50 + 70

De TRACTEL Greifzug GmbH behoudt zich het recht voor in het kader van de productverbetering alle mogelijke wijzigingen uit te voeren aan het product dat in deze handleiding wordt beschreven.

Klanten kunnen via de ondernemingen van de TRACTEL-groep en de door de TRACTEL-groep geautoriseerde instandhouding-medewerkers op aanvraag documentatie over andere TRACTEL-producten ontvangen: hefwerktuig en de bijbehorende toebehoren, vast geïnstalleerde of mobiele werkplatforms voor het bewegen langs de binnen- en buitenkant van gebouwen, aanslagmiddelen, opvangvoorzieningen voor lasten, persoonlijke beschermuitrusting tegen neerstorten, trekkracht- en kabelspanningsmeters etc.. Bezoek hiervoor ook de TRACTEL-website www.tractel.com.

De TRACTEL-groep en het dealernetwerk bieden u desgewenst aanvullende klanten- en reparatieservice.

1.1 Toegepaste begrippen en afkortingen

In deze handleiding hebben de onderstaande begrippen de volgende betekenissen:

Installatie / machine

In de zin van de machinerichtlijn 2006/42/EG gelden lastopnamemiddelen, hijswerktuigen, veiligheidscomponenten en aanslagmiddelen voor hijswerkzaamheden als machine. Als installa-

tie of ook machine wordt de inrichting aangeduid, waarin de hier beschreven machine ingebouwd wordt.

Installatiefabrikant

De installatiefabrikant (installatieplanner, installatiefabrikant, montagebedrijf) is diegene die de installatie en alle noodzakelijke componenten op de markt brengt. De installatiefabrikant is verantwoordelijk voor het ontwerp, de vervaardiging, de montage en het in het verkeer brengen.

Aanslagmiddelen

Aanslagmiddelen zijn niet tot het hijswerktuig behorende inrichtingen die een verbinding tussen het draagmiddel en de last of tussen het draagmiddel en het lastopnamemiddel tot stand brengen (bijv. kabelstroppen, stropen, schakels, wartelhaken, ooghaken, omkeerrollen).

Aanslagpunt, ophangpunt

Onderdeel van de ophangconstructie aan gebouwszijde, waaraan de draagkabel, de veiligheidskabel, omkeerrollen of het hijswerktuig onafhankelijk van elkaar aangeslagen worden.

Operator

Persoon die door de exploitant in de bediening van het product wordt geïnstrueerd en met het gebruik ervan wordt belast.

Gebruiker

De gebruiker is verantwoordelijk voor de reglementaire werking van de installatie/van het apparaat en voor de naleving van de onderhoudsintervallen en het uitvoeren van reparatiewerkzaamheden.

Opvangvoorziening

Inrichting voor het opvangen van lastopnamemiddelen voor materiaal bij breuk van de draagkabel of storingen bijv. falen van de aandrijving.

Totale aangehangen last

De totale aangehangen last is de op de ophanging inwerkende statische last, die samengesteld is uit de nuttige last, het eigen gewicht van het lastopnamemiddel, de extra uitrusting, de staalkabels en de stuur- en aansluitkabels.

Hijswerktuig / machine voor het hijsen van lasten

Apparaat of inrichting bestaand uit een apparaat met draagmiddelen voor het hijsen of verplaatsen van lasten (bijv. kabellier of kabellier met kabel en wartelhaak).

Klant / eindklant

De klant of eindklant is de klant van de installatiefabrikant en kan gelijktijdig ook de exploitant zijn.

Lastopnamemiddelen

Een niet tot het hijswerktuig behorende component of uitrusting, die het mogelijk maakt om de last aan te slaan en tussen machine en last of aan de last zelf aangebracht wordt of ertoe bestemd is om een integraal bestanddeel van de last te worden. Als lastopnamemiddelen gelden ook aanslagmiddelen en hun bestanddelen.

Materiaalopnamemiddel

Lastopnamemiddel voor materiaal.

Maximale bedrijfslast

De maximale bedrijfslast geeft aan met welke last het product maximaal belast mag worden. De maximale bedrijfslast staat vermeld op de typeplaat.

Nuttige last

De nuttige last is de last die door het product geheven, getrokken of gehouden kan worden. Door inscheren volgens het takelprincipe kan de nuttige last hoger zijn dan de maximale bedrijfslast. De maximale bedrijfslast mag door het inscheren niet worden overschreden.

Personenhefmiddel

Lasthefmiddel voor personen. Hiertoe behoren ook combinaties van lasthefmiddelen voor materiaal en personen.

Deskundige persoon

Een als zodanig benoemde en adequaat opgeleide persoon die door zijn kennis en praktijkervaring in staat is om met behulp van de relevante instructies en aanwijzingen de noodzakelijke werkzaamheden veilig uit te voeren.

Met kabels in aanraking komende producten

Met kabels in aanraking komende producten zijn lieren, omkeerrollen, opvanginrichtingen en andere producten waar de kabel doorheen loopt of waarmee de kabels in contact staan.

Draagmiddel

Een draagmiddel is een met het hijswerktuig verbonden inrichting voor de opname van lastopnamemiddelen, aanslagmiddelen of lasten (bijv. een met de draagkabel vast verbonden haak).

Onderhoudspersoneel

Een door de TRACTEL Greifzug GmbH voor het onderhoud aangewezen en geschoolde persoon met geldig certificaat, die in staat is om met de benodigde instructies en aanwijzingen de noodzakelijke onderhouds-, controle- en reparatiewerkzaamheden veilig uit te voeren.

1.2 Toegepaste symbolen**GEVAAR!****Aard en bron van het gevaar.**

Gevolg: bijv. dodelijk of ernstig lichamelijk letsel.

- Maatregelen waarmee gevaar wordt voorkomen.

OPGELET!
Aard en bron van het gevaar.

Gevolg: bijv. materiële schade of milieuschade.

- Maatregelen waarmee schade wordt vermeden.

Aanwijzing:

Dit symbool kenmerkt geen veiligheidsaanwijzingen maar levert informatie voor een beter begrip van de processen.



Met dit symbool zijn apparaten voor het personen- en materiaaltransport gemarkeerd.

2 Veiligheid**2.1 Algemene veiligheidsaanwijzingen****GEVAAR!****Risico op ernstige ongevallen door foutieve werking, verkeerd gebruik en foutieve bediening!**

- Neem de volgende gegevens in acht zodat de veilige en correcte werking en inzet van het apparaat gewaarborgd zijn!
- Neem ook de speciale veiligheidsaanwijzingen voor alle uit te voeren werkzaamheden in de afzonderlijke hoofdstukken van deze handleiding in acht.
- Foutieve of beschadigde producten, accessoires en aanslagmiddelen mogen niet worden gebruikt.
- Let op de aanwijzingen voor transport, opslag en reiniging vanaf pagina 8.
- Neem de veiligheidsdatasheets van de producenten van de smeermiddelen in acht.
- Bevestigingsmiddelen moeten overeenstemmen met de gegevens in deze handleiding resp. met de geldige normen/richtlijnen.
- De maximale bedrijfslast mag niet worden overschreden.
- Reparatie- en onderhoudswerkzaamheden mogen alleen door geautoriseerd onderhoudspersoneel worden uitgevoerd, zie '12.1 Geautoriseerd onderhoudspersoneel' op pagina 9.
- Montage en bediening mogen alleen door geschoold en geïnstrueerd personeel plaatsvinden met inachtneming van deze handleiding.
- Particuliere gebruikers zijn verplicht zich door de TRACTEL Greifzug GmbH in de montage, bediening en het onderhoud van het apparaat te laten scholen.
- Begeef u niet onder zwevende lasten. Indien nodig de gevaarzone afschermen. Vastgehaakte of klemzittende lasten opvangen en beveiligen.
- Bij laswerkzaamheden dienen de nationale veiligheids- en arbovoorschriften in acht genomen te worden.
- Wanneer er meer dan één persoon betrokken is bij de hier beschreven activiteiten, dan dient de exploitant een toezichthouder te benoemen, die bevoegd is tot het geven van opdrachten.

NL

- De exploitant is er verantwoordelijk voor dat er duidelijke bedienings-, reparatie-, onderhouds- en overige gebruiksaanwijzingen beschikbaar zijn en dat door scholing en instructie van het personeel een vakkundige en correcte werking en bediening van het apparaat gewaarborgd zijn.
- De gebruiker is verantwoordelijk voor de reglementaire werking van de installatie en voor het aanhouden van de onderhoudsintervallen en het uitvoeren van onderhoudswerkzaamheden.
- De exploitant is verplicht om het test- en logboek (zie hoofdstuk '14 Inspectie- en logboek op pagina 10) bij te houden.
- Binnen de Europese Unie geldt de EU-richtlijn 89/391/EEG. De nationale voorschriften met betrekking tot de arbeidsveiligheid in het land van de exploitant moeten in acht worden genomen.
- Stel geschikte veiligheidsuitrusting beschikbaar zoals bij. veiligheidshandschoenen, gehoorbescherming en valbescherming. Tot de persoonlijke veiligheidsuitrusting behoort ook de bescherming tegen extreme weersomstandigheden (bijv. zonwering, koudebescherming).
- Zorg altijd voor voldoende verlichting van de werkplek.
- Aan het ingeschakelde personeel dient men deze handleidingen en de handleidingen van het toebehoor te overhandigen. De documenten moeten op elk moment toegankelijk zijn.
- Daar de TRACTEL Greifzug GmbH de latere toepassing van het hier beschreven product niet kent, is de exploitant verplicht het personeel over verdere veiligheidsinstructies en over aanvullende onderhoudswerkzaamheden te informeren.
- Het product moet volgens de gegevens in deze gebruiksaanwijzing worden gemonteerd. De exploitant van de installatie is verantwoordelijk voor geschikte aanslagmogelijkheden.
- Bevestigingsmiddelen moeten in overeenstemming zijn met de gegevens in deze handleiding resp. met de geldige normen/richtlijnen.
- Wanneer geen originele onderdelen worden gebruikt, is een veilig bedrijf niet gegarandeerd. Dit geldt vooral, wanneer niet de voorgeschreven en voor het gebruik toegelaten originele kabels worden gebruikt. De garantieaanspraak tegenover de producent vervalt dan. Bij producten met CE-markering verliest deze haar geldigheid.
- Let op het toegelaten temperatuurbereik, zie Afb. 1.

3 Overzicht

3.1 Leveringstoestand

Bij levering is het product compleet gemonteerd.

3.2 Omvang van de levering

Dragerklem:

- Inbussleutel

Documentatie:

- Originele Montage- en Bedieningshandleiding
- CE conformiteitsverklaring

3.3 Beschrijving van het apparaat

Gebruik voor het toegelaten gebruiksdoel

Dragerklem

Dragerklemmen worden gebruikt als:

- aanslagpunt van hijswerktuig, omkeerrollen of werkplatforms en werkkorven (zie Afb. 4 en afb. 5)

De dragerklemmen worden aan dragers met I- of H-profiel bevestigd.

De belasting tijdens het heffen of neerlaten mag alleen in verticale richting plaatsvinden. Scheef trekken is alleen binnen de aangegeven grenzen in Tabel 1 op pagina II toegestaan! Zie ook Afb. 7.

Beoogd gebruikdoel van het product

De precieze bouweisen zijn TRACTEL Greifzug GmbH niet bekend. Het precieze gebruiksdoel wordt door de exploitant of de installatiefabrikant vastgelegd.

Reparatie- en onderhoudswerkzaamheden mogen alleen door geautoriseerd onderhoudspersoneel worden uitgevoerd, zie '12.1 Geautoriseerd onderhoudspersoneel' op pagina 9.

Gezondheids- en veiligheidseisen

De TRACTEL Greifzug GmbH verklaart dat de in deze handleiding beschreven machine voldoet aan de technische veiligheidsvoorschriften die in de Europese Unie gelden op het tijdstip dat de machine door de fabrikant van de uitrusting in het verkeer wordt gebracht.

De inbedrijfstelling van de machine is verboden tot de machine waarin zij ingebouwd wordt, als geheel aan de bepalingen van de richtlijn 2006/42/EG en aan de relevante nationale wetgeving (waarin de richtlijn in het nationale recht geïmplementeerd wordt) voldoet en de desbetreffende conformiteitsverklaring afgegeven is.

- Voor machines voor het hijsen/heffen van lasten moet door de exploitant of fabrikant van de installatie een risicoanalyse overeenkomstig bijlage I van de richtlijn 2006/42/EG worden uitgevoerd.
- Voor machines voor het hijsen van personen of van goederen, die onder bijlage IV nr. 17 van de richtlijn 2006/42/EG vallen, moet door de exploitant of installatiefabrikant een procedure ter beoordeling van de conformiteit met artikel 12 alinea 3 of 4 van de richtlijn 2006/42/EG worden

den uitgevoerd. Bij de installatieplanning moet rekening worden gehouden met EN 1808.

Uitsluitingen van garantie en aansprakelijkheid

Zie '9 Te voorzien misbruik' op pagina 8.

Iedere van de hier genoemde gegevens afwijkende toepassing geldt als oneigenlijk, niet toegelaten gebruik. Voor hieruit resulterende schade stelt de TRACTEL Greifzug GmbH zich niet aansprakelijk. Het risico wordt alleen door de exploitant gedragen. Tot de reglementaire toepassing behoort ook het in acht nemen van alle aanwijzingen uit deze handleiding, in het bijzonder de naleving van de montage- en onderhoudsvoorschriften.

Toepassingsgebied

Het product is geschikt voor de volgende bedrijfsomstandigheden:

- Voor vaste inbouwsituaties of wisselende installaties
- Voor kortdurend bedrijf
- Toegelaten temperatuurbereik: zie Afb. 1



GEVAAR!

Risico op ernstige ongelukken!

- De toepassing in explosiegevaarlijke omgevingen is verboden.
- De toepassing in corrosieve omgeving is verboden.¹⁾
- De inzet in de buurt van open vuur of in een zeer hete omgeving is verboden.

¹⁾ Corrosiebescherming volgens bestelspecificatie

Bouwkundige eisen

Algemene aanwijzingen

De lay-outconstructie van de constructieve inrichtingen voor de bevestiging van het product moet voldoen aan de toepasselijke richtlijnen en normen (zie '7.1 Richtlijnen en normen' op pagina 6).

Bij het constructie van de ophangconstructie moet rekening worden gehouden met de totale aangehangen last voor het specifieke toepassingsgeval.

De totale aangehangen last is de op de ophanging inwerkende statische last, die samengesteld is uit de nuttige last, het eigen gewicht van het lastopnamemiddel, de extra uitrusting, de staalkabels en de stuur- en aansluitkabels.

Installaties voor personentransport:

Verticaal bewegende personenvervoermiddelen moet een opvangvoorziening hebben die de last met een veiligheidskabel beschermt tegen een val.

Typeplaatjes en aanwijzingsborden/ Grenzen aan het gebruik

Ontbrekende of onleesbare type- en waarschuwingsborden per omgaande vervangen.

Zie Afb. 6.

Pos.	Aanduiding
1	Typeplaatje

Op de typeplaatjes vindt u de noodzakelijke informatie.

Richtlijnen en normen

Maatgevende richtlijnen en normen: Zie '7.1 Richtlijnen en normen' op pagina 6.

Productvarianten in de handleiding

In deze handleiding worden de in Tabel 1 op pagina II vermelde productvarianten beschreven.

NL

4 Beschrijving

4.1 Functiebeschrijving

De dragerklem wordt aan draagbalken met I- of H-profiel bevestigd. Daarbij grijpen de klemtangen van de dragerklem om de flens van de draagbalk. De klemtangen worden met de spil op de flensbreedte van de draagbalk ingesteld.

In het ophangoog laat zich hijswerktuig met een haak ophangen.

4.2 Componenten/bouwgroepen

Zie Afb. 2.

Pos.	Aanduiding
1	Klemtang
2	Ophangoog
3	Spil a: as van de spil
4	Schroef voor het vastzetten 4.1 Schroefdraadpen 4.2 Koperen schijf
	Inbussleutel (niet weergegeven)

4.3 Technische gegevens

De technische gegevens vindt u in Tabel 1 op pagina II.

4.4 Bevestiging

De dragerklem wordt aan dragers met I- of H-profiel bevestigd.

- Let op de profielmaten voor de betreffende dragerklem, zie Tabel 1 op pagina II.
- Neem de maximale bedrijfslast in acht, zie Tabel 1 op pagina II.

Zie ook '7.3 Montage' op pagina 7.

4.5 Veiligheidsvoorzieningen

Schroef voor het vastzetten

Voor het vastzetten van de spil tijdens de werking zodat de spil niet ongemerkt losraakt en de dragerklem neerstort.

4.6 Belastinglimieten



GEVAAR!

Onvakkundige bevestiging! Onvakkundig gebruik!

Risico op letsel door vallende voorwerpen!

Afhankelijk van de configuratie van hijswerktuig, omkeerrol en last wordt de belasting van de omkeerrol, aanslagmiddel en ophangpunt verhoogd!

- De minimale breukvastheid van de drager moet hoger zijn dan het 4-voudige van de maximale bedrijfslast van het hefwerktuig in de gegeven inbouwsituatie. (zie Afb. 7 afb. 'a' en 'b').
- Wanneer een hefwerktuig direct aan het ophangpunt bevestigd wordt (zie Afb. 7), dan moet met het eigen gewicht van alle componenten in de streng en het dynamische aandeel van de belasting uit de hefwerktuigaandrijving rekening worden gehouden.

Onvakkundige bevestiging! Onvakkundig gebruik!

Scheef trekken is alleen binnen de aangegeven grenzen in Tabel 1 op pagina II toegestaan!

- Let op de gegevens voor de hoek α en β , zie Tabel 1 op pagina II.

5 Optionele toebehoren

Aanvullend kunnen de volgende toebehoren worden verkregen:

- Met motor aangedreven kabellier tirak™
- Handbediende multifunctionele staaldraadtrekker greifzug™
- Motorisch aangedreven staaldraadtrekker minifor™
- Elektrisch aangedreven kettingtakel tralift™ TE
- Takel bravo™
- Bloktakel tralift™
- Omkeerrollen, adapter

Neem hiervoor direct contact op met de TRACTEL Greifzug GmbH.

6 Noodzakelijke toebehoren

Om het product te kunnen gebruiken, heeft u de volgende toebehoren nodig, die niet bij de levering zijn inbegrepen:

- Aanslagmiddelen en bevestigingsmiddelen met een toereikende minimale breukvastheid (zie 'Bouwkundige eisen' op pagina 5).
- Handbediend of elektrisch hijswerktuig

Verdere originele Greifzug toebehoren: Zie '5 Optionele toebehoren' op pagina 6.

De exploitant of de installatiefabrikant is verantwoordelijk voor de keuze en het gebruik van accessoires die geschikt zijn voor gebruik onder de gegeven plaatselijke omstandigheden. Verdere voorschriften in de toepasselijke wet- en regelgevingen moeten in acht worden genomen.

7 Installatie en inbedrijfstelling

7.1 Richtlijnen en normen

De machine voldoet aan de volgende richtlijnen en normen:

- Machinerichtlijn 2006/42/EG
- EN ISO 12100:2010
- Machines voor het hijsen van personen of van personen en goederen (personentransport): EN 1808:2015

De exploitant of de installatiefabrikant is er verantwoordelijk voor dat de machine binnen de in deze gebruiksaanwijzing aangegeven limieten wordt gebruikt. De bovengenoemde richtlijnen en normen moeten ook door de exploitant of installatiefabrikant van de machine in acht worden genomen waarin deze machine wordt gemonteerd.

7.2 Controles voor aanvang van de montage

Controle van de inbouwlocatie

Algemeen

- Controleer of een adequate montage door andere componenten wordt belemmerd.
In de inbouwruimte mogen geen spitse of scherpgerande componenten aanwezig zijn.
- Controleer of de omkeerrol, de aanslagmiddelen en de op locatie aanwezige ophangpunten de vereiste minimale breukvastheid hebben, zie 'Bouwkundige eisen' op pagina 5.

Wanneer een hefwerktuig direct aan het ophangpunt bevestigd wordt (zie Afb. 5), dan moet met het eigen gewicht van alle componenten in de streng en het dynamische aandeel van de belasting uit de hefwerktuigaandrijving rekening worden gehouden.

- Controleer of door de bevestiging eventueel typeplaten (zie Afb. 6) afgedekt worden.

Controleren van de componenten en de accessoires

- Controleer de componenten en toebehoor op volledigheid (zie '3.2 Omvang van de levering' op pagina 4 en '4.2 Componenten/bouwgroepen' op pagina 5).
- Op schade controleren.

7.3 Montage

Voorwaarden

- De montage mag alleen door geschoold personeel plaatsvinden.
- De werkplek moet voldoende verlicht zijn.
- Monteer zwaardere dragerklemmen met twee personen.

Dragerklem monteren

Siehe Afb. 3.

- Schroef (1) losdraaien.

Aanwijzing:

Wanneer de schroef (1) er per ongeluk uitgedraaid werd:

- controleren of de koperen schijf (2) in het schroefdraadgat (3) aanwezig is.

▣ OPGELET!!!

Risico op zware ongelukken!

Wanneer de spil moeilijk gedraaid kan worden, hoewel de schroef voor het vastzetten is losgedraaid, is de schroefdraad van de spil beschadigd.

- Dragerklem ter reparatie naar TRACTEL Greifzug GmbH opsturen.

- Klemtangen (4) met spil (5) openen.
- Dragerklem tegen draagbalk (6) aanzetten.
- Klemtang met spil (5) sluiten:
Let erop dat de klemtangen alleen bij de met pijlen gemarkeerde punten tegen de flens van de draagbalk aanliggen. De dragerklem moet onwankelbaar vastzitten aan de draagbalk.
- Draai de schroef (1) van de spil aan.
De spil mag zich niet meer laten draaien.

Last aanslaan

Zie Afb. 4.

- Sla de haak (1) van het hijswerktuig of andere aanslagmidelen (bijv. schakels) zo aan dat het ophangoog (2) naar onderen wijst.

Let erop dat de grootte van de haak (1) bij het ophangoog (2) past. De veiligheidsklep (3) moet gesloten zijn.

Na de montage

- Bedrijfsklare toestand controleren en werkingstest verrichten, zie '7.4 Inbedrijfstelling' op pagina 7.

7.4 Inbedrijfstelling

Bedrijfsklare toestand vaststellen

- Bevestiging van de dragerklem controleren.

Werkingstest

- Dragerklem ten hoogste met de toegelaten last belasten.
- Scheef trekken controleren: scheef trekken is alleen binnen de aangegeven grenzen in Tabel 1 op pagina II toegestaan!
- Resultaten van de controles in het test- en logboek (zie '14 Inspectie- en logboek' op pagina 10) vastleggen.

8 Bedienung/werking

De operator moet door de exploitant in de bediening van het apparaat geïnstrueerd en met het gebruik ervan belast zijn.

8.1 Controles voor aanvang van het werk

- Bedrijfsklare toestand controleren en werkingstest verrichten, zie '7.4 Inbedrijfstelling' op pagina 7.

8.2 Bedrijf



GEVAAR!

Risico op letsel door omlaag stortende voorwerpen!

De last of het lastopnamemiddel kan blijven haken en vallen!

- Lasten tegen neerstorten beveiligen.
- Lasten tegen verdraaien beveiligen.
- Voorkom absoluut dat de last heen en weer gaat zwaaien.
- Last, lastopnamemiddel en aanslagpunt permanent observeren.
- Indien nodig met een uitkijkpost werken.
- Niet onder zwevende lasten verblijven.
- Indien nodig de gevarenszone afschermen.

Risico op een val! Risico op letsel door omlaag stortende voorwerpen!

- Overbelasting kan vernieling van de dragerklem of van het hijswerktuig tot gevolg hebben!
- Let bij het beladen van het lastopnamemiddel op de maximaal toelaatbare last.
- Let op hindernissen in het traject.
- Het trekken van een op de vloer rustende last met behulp van de dragerklem is verboden!
- Scheef trekken is alleen binnen de aangegeven grenzen in Tabel 1 op pagina II toegestaan! Let op de gegevens voor de hoek α en β , zie Tabel 1 op pagina II.

NL

9 Te voorzien misbruik

Aanspraken op garantie of schadevergoeding bij persoonlijke en materiële schades zijn uitgesloten wanneer deze tot een of meerdere van de volgende oorzaken kunnen worden herleid:

- Oneigenlijk, niet toegelaten gebruik van het product, de toebehoren of tot het product behorende draagmiddelen.
- Montage op schuin aflopende draagbalken of draagbalken met tandstang.
- Inzet in explosiegevaarlijke omgevingen of corrosieve omgeving.
- Aanslaan van de last met een niet passende of incorrecte haak.
- Niet nageleefde onderhoudsintervallen.
- Reiniging met een hogedrukreiniger.
- Onvakkundige montage, inbedrijfstelling, bediening, onderhoud en reparatie.
- Gebrekkige bewaking van de delen van het apparaat en de toebehoren die aan slijtage onderhevig zijn.
- Onvakkundig en onbevoegd uitgevoerde reparaties.
- Vastlassen van de dragerklem aan de draagbalk of vastlassen van delen aan de dragerklem
- Gebruik van niet-originele reserveonderdelen.
- Veranderingen aan instellingen van veiligheidsinrichtingen.

- Achterwege gelaten metingen en controles voor de preventie van schade.
- Overbelasten van het product.
- Gebruik van het dragerklem voor het uittrekken, lostrekken of zijdelings trekken van een last. Scheef trekken is alleen binnen de in Tabel 1 op pagina II aangegeven grenzen toegestaan!
- Bewust veroorzaken van slingerbewegingen van de last.
- Openen van de dragerklem bij aangehangen last of aangehangen hijswerktuig
- Gebruik van de dragerklem als aarding bij laswerkzaamheden
- Het aanslaan van lasten aan de dragerklem aan andere punten dan het daarvoor bedoelde ophangoog
- Rampen door inwerking van vreemde voorwerpen en overmacht.
- Voor schades die het gevolg zijn van ombouw en modificatie van producten en van het gebruik van niet originele onderdelen waarvoor de producent geen schriftelijke toestemming verleend heeft, stelt de producent zich niet aansprakelijk.
- Foutieve of beschadigde producten, accessoires en aanslagmiddelen mogen niet worden gebruikt.
- De flensbreedte maat T (zie Tabel 1 op pagina II) mag niet worden onderschreden.

10 Demontage

Zie Afb. 4.

- Lastopnamemiddelen neerzetten en evt. afnemen.
- Schroef (1) losdraaien.
- Dragerklem met spil (5) openen.
- Dragerklem van de draagbalk nemen.

Bij zware componenten geschikte transporthulpmiddelen gebruiken of de verplaatsing met een tweede persoon uitvoeren.

- Apparaat schoonmaken en opbergen.

11 Transport en opslag

Transport

Vermijd beschadigingen tijdens het vervoer.

Bij zware componenten geschikte transporthulpmiddelen gebruiken of de verplaatsing met een tweede persoon uitvoeren.

Opslaan

De lier droog, stofvrij en bij gelijkmatige omgevingstemperatuur opslaan.

12 Onderhoud/service

12.1 Geautoriseerd onderhoudspersoneel



GEVAAR!

Risico op een val! Risico op letsel door vallende voorwerpen!

Levensgevaar door foutief uitgevoerde reparatie- en onderhoudswerkzaamheden!

Reparatie- en onderhoudswerkzaamheden mogen alleen door de volgende geautoriseerde personen/organisaties worden uitgevoerd:

- de TRACTEL Greifzug GmbH
- werkplaatsen voor hefstoellen die door de TRACTEL Greifzug GmbH geautoriseerd zijn.
- Onderhoudspersoneel dat door de TRACTEL Greifzug GmbH Hopgeleid en gecertificeerd is.

12.2 Noodzakelijke controles

Voor de jaarlijkse inspectie en buitengewone controles is een schriftelijk testcertificaat noodzakelijk. De controles moeten in het test- en logboek (zie '14 Inspectie- en logboek' op pagina 10) vastgelegd worden.

Voor ieder gebruik

De correcte toestand moet voor elk gebruik gecontroleerd worden, zie '7.4 Inbedrijfstelling' op pagina 7.

Jaarlijkse veiligheidscontrole

De veiligheidscontrole moet jaarlijks worden uitgevoerd.

De veiligheidscontrole mag alleen door geautoriseerd onderhoudspersoneel worden uitgevoerd, zie '12.1 Geautoriseerd onderhoudspersoneel' op pagina 9. Afhankelijk van de bedrijfsomstandigheden (bijv. inzet in een sterk vervuilde omgeving) kan een tussentijdse controle noodzakelijk zijn.

Wij adviseren een fabriekscontrole door de TRACTEL Greifzug GmbH.

Neem direct contact op met de TRACTEL Greifzug GmbH of uw leverancier.

12.3 Service en onderhoud

Interval	Werk	Uitvoering
dagelijks	<ul style="list-style-type: none"> - Bevestiging controleren - Op vervuiling controleren 	Operator
Indien nodig	<ul style="list-style-type: none"> - reinigen - Spil invetten 	Door exploitant aangewezen en geïnstrueerde persoon
driemaandelijks	<ul style="list-style-type: none"> - Visuele controle van de klemtangen (scheuren, vervormingen) 	Door exploitant aangewezen en geïnstrueerde persoon
Halfjaarlijks	visuele inspectie: <ul style="list-style-type: none"> - toestand van de draagbalk 	Door exploitant aangewezen en geïnstrueerde persoon
1 x per jaar	<ul style="list-style-type: none"> - Veiligheidscontrole 	Geautoriseerd onderhoudspersoneel

12.4 Reserveonderdelen bestellen

Reserveonderdelenlijsten zijn verkrijgbaar bij uw leverancier of direct van de TRACTEL Greifzug GmbH.

Noodzakelijke gegevens voor de bestelling vindt u op de typeplaatjes van de afzonderlijke componenten, zie Afb. 6. Vervang ontbrekende of onleesbare borden onmiddellijk.

13 Afvalverwijdering en milieubescherming

Het apparaat werd uit recyclebaar materiaal vervaardigd. Wanneer het apparaat later wordt verschroot, moet het apparaat volgens de toepasselijke voorschriften als afval worden verwijderd. Binnen de Europese Unie geldt de nationale implementatie van de richtlijn voor afvalstoffen 2008/98/EG.

Volgens richtlijn 2002/96/EG, in Duitsland geïmplementeerd via het 'Elektro- und Elektronikgerätegesetz' (ElektroG), is de fabrikant verplicht bepaalde elektrische en elektronische componenten terug te nemen en af te voeren. De componenten die hierdoor betroffen zijn, worden op het typeplaatje met het volgende symbool gekenmerkt:



14 Inspectie- en logboek

De exploitant/werkgever en/of de daardoor ingeschakelde verantwoordelijke is verplicht om dit inspectie- en logboek bij te houden.

Naar behoefte worden de vermeldingen door de producent, een geautoriseerd bedrijf, de operator, een expert of geautoriseerd onderhoudspersoneel ingeschreven en ondertekend.

Alle voorvallen moeten in dit boek correct vastgelegd en met een handtekening bevestigd worden. Hiertoe behoort bijv.:

- Alle verrichte inspecties
- Alle uitgevoerde onderhoudswerkzaamheden
- Modificaties en alle storingsopheffingen

VOORBEELD! Desgewenst kopiëren en kopie invullen!

14.1 Inspectie bij inbedrijfstelling (door een expert)

Controle bij inbedrijfstelling Opmerkingen: _____ _____ _____	Datum: _____
	Expert: _____ (Naam)
	_____ (Handtekening)

14.2 Storingsopheffing (door operator, expert of geautoriseerd onderhoudspersoneel)

Nr.	Gebreken	Gebreken verholpen	Datum:
Opmerkingen:	ja <input type="checkbox"/> nee <input type="checkbox"/>	ja <input type="checkbox"/> nee <input type="checkbox"/>	_____
			Naam: _____
			Firma: _____
			_____ (Handtekening)

14.3 Jaarlijkse veiligheidscontrole (door operator, expert of geautoriseerd onderhoudspersoneel)

Herhalingscontrole	Datum: _____
Opmerkingen: _____	Expert: _____
_____	(Naam)
_____	_____ (Handtekening)

14.4 Keuringsrapport bij de jaarlijkse veiligheidscontrole

Standplaats:		Dragerklem nr.:	
Exploitant:		Installatie nr.:	

Datum van de keuring:		Gebreken		Gebreken		Gebreken		Gebreken		Gebreken	
		ja	nee	ja	nee	ja	nee	ja	nee	ja	nee
1. Dragerklem											
1.1	Visuele controle	<input type="checkbox"/>	<input type="checkbox"/>	<input type="checkbox"/>	<input type="checkbox"/>	<input type="checkbox"/>	<input type="checkbox"/>	<input type="checkbox"/>	<input type="checkbox"/>	<input type="checkbox"/>	<input type="checkbox"/>
1.2	Klemtangen op scheuren en vervormingen controleren	<input type="checkbox"/>	<input type="checkbox"/>	<input type="checkbox"/>	<input type="checkbox"/>	<input type="checkbox"/>	<input type="checkbox"/>	<input type="checkbox"/>	<input type="checkbox"/>	<input type="checkbox"/>	<input type="checkbox"/>
1.3	Toestand van de spindel controleren	<input type="checkbox"/>	<input type="checkbox"/>	<input type="checkbox"/>	<input type="checkbox"/>	<input type="checkbox"/>	<input type="checkbox"/>	<input type="checkbox"/>	<input type="checkbox"/>	<input type="checkbox"/>	<input type="checkbox"/>
1.4	Werkingscontrole	<input type="checkbox"/>	<input type="checkbox"/>	<input type="checkbox"/>	<input type="checkbox"/>	<input type="checkbox"/>	<input type="checkbox"/>	<input type="checkbox"/>	<input type="checkbox"/>	<input type="checkbox"/>	<input type="checkbox"/>
Naam van de controleur:											
Handtekening:											

NL

15 EG-Conformiteitsverklaring (uittreksel)



Bij deze verklaar de producent,

TRACTEL Greifzug GmbH
Scheidtbachstraße 19-21 51469 Bergisch Gladbach

vertegenwoordigd door

Dipl.-Ing. Philippe Gastineau
Directeur

CONFORMITEITSVERKLARING

dat de aangeduide uitrusting aan de technische veiligheidsvoorschriften voldoet, die voor deze uitrusting van toepassing waren op het tijdstip van marktintroductie in de EUROPESE UNIE door de producent.

TOEGEPASTE NORMEN EN RICHTLIJNEN:

2006/42/EC;
EN1808; EN ISO 12100

AANDUIDING
Dragerklem

TOEPASSING
Personentransport

TYPE
LT-1B, LT-2B, LT-3B, LT-5B, LT-10B

SERIENUMMER

Bouwjaar:
vanaf 11-2020

De inbedrijfstelling van de machine is verboden tot de machine waarin zij ingebouwd wordt, als geheel aan de bepalingen van de richtlijn 2006/42/EG en aan de relevante nationale wetgeving (waarin de richtlijn in het nationale recht geïmplementeerd wordt) voldoet en de desbetreffende conformiteitsverklaring afgegeven is.
De actuele versie van EN 1808 moet worden gebruikt voor het personenopnamemiddel, waarin deze machine ingebouwd is.

Verantwoordelijke voor de documentatie:

Dipl.-Ing. Philippe Gastineau, tel.: +49 (0) 2202 1004 0
Bergisch Gladbach, datum

GLOBAL REACH



NORTH AMERICA

CANADA

Tractel Ltd.

1615 Warden Avenue
Toronto, Ontario M1R 2T3, Canada
Phone: +1 800 465 4738
Fax: +1 416 298 0168
Email: marketing.swingstage@tractel.com

11020 Mirabeau Street
Montréal, QC H1J 2S3, Canada
Phone: +1 800 561 3229
Fax: +1 514 493 3342
Email: tractel.canada@tractel.com

MÉXICO

Tractel México S.A. de C.V.

Galileo #20, O cina 504.
Colonia Polanco
México, D.F. CP. 11560
Phone: +52 55 6721 8719
Fax: +52 55 6721 8718
Email: tractel.mexico@tractel.com

USA

Tractel Inc.

51 Morgan Drive
Norwood, MA 02062, USA
Phone: +1 800 421 0246
Fax: +1 781 826 3642
Email: tractel.usa-east@tractel.com

168 Mason Way
Unit B2
City of Industry, CA 91746, USA
Phone: +1 800 675 6727
Fax: +1 626 937 6730
Email: tractel.usa-west@tractel.com

BlueWater L.L.C

4064 Peavey Road
Chaska, MN 55318, USA
Phone: +1 866 579 3965
Email: info@bluewater-mfg.com

Fabenco, Inc

2002 Karbach St.
Houston, Texas 77092, USA
Phone: +1 713 686 6620
Fax: +1 713 688 8031
Email: info@safetygate.com

EUROPE

GERMANY

Tractel Greifzug GmbH

Scheidt bachstrasse 19-21
51469 Bergisch Gladbach, Germany
Phone: +49 22 02 10 04-0
Fax: +49 22 02 10 04 70
Email: info.greifzug@tractel.com

LUXEMBOURG

Tractel Secalt S.A.

Rue de l'Industrie 12
B.P 1113 - 3895 Foetz, Luxembourg
Phone: +352 43 42 42-1
Fax: +352 43 42 42-200
Email: secalt@tractel.com

SPAIN

Tractel Ibérica S.A.

Carretera del Medio, 265
08907 L'Hospitalet del Llobregat
Barcelona, Spain
Phone: +34 93 335 11 00
Fax: +34 93 336 39 16
Email: infotib@tractel.com

FRANCE

Tractel S.A.S.

RD 619 Saint-Hilaire-sous-Romilly
BP 38 Romilly-sur-Seine
10102, France
Phone: +33 3 25 21 07 00
Email: info.tsas@tractel.com

Ile de France Maintenance Service S.A.S.

12, Rue de Berlin
77144 Montévrain, France
Phone: +33 1 56 29 22 22
E-mail: ifms.tractel@tractel.com

Tractel Solutions S.A.S.

77-79, rue Jules Guesde
69230 St Genis-Laval, France
Phone: +33 4 78 50 18 18
Fax: +33 4 72 66 25 41
Email: info.tractelsolutions@tractel.com

GREAT BRITAIN

Tractel UK Limited

Old Lane Halfway
Sheffield S20 3GA, United Kingdom
Phone: +44 114 248 22 66
Email: sales.uk@tractel.com

ITALY

Tractel Italiana SpA

Viale Europa 50
Cologno Monzese (Milano) 20093,
Italy
Phone: +39 02 254 47 86
Fax: +39 02 254 71 39
Email: infoit@tractel.com

NETHERLANDS

Tractel Benelux BV

Paardeweide 38
Breda 4824 EH, Netherlands
Phone: +31 76 54 35 135
Fax: +31 76 54 35 136
Email: sales.benelux@tractel.com

PORTUGAL

Lusotractel Lda

Bairro Alto Do Outeiro Armazém 1
Trajouce, 2785-653 S. Domingos
de Rana, Portugal
Phone: +351 214 459 800
Fax: +351 214 459 809
Email: comercial.lusotractel@tractel.com

POLAND

Tractel Polska Sp. z o.o.

ul. Bysławska 82
Warszawa 04-993, Poland
Phone: +48 22 616 42 44
Fax: +48 22 616 42 47
Email: tractel.polska@tractel.com

NORDICS

Tractel Nordics

(Scanclimber OY)
Turkkirata 26
FI - 33960
Pirkalla, Finland
Phone: +358 10 680 7000
Fax: +358 10 680 7033
E-mail: tractel@scanclimber.com

RUSSIA

Tractel Russia O.O.O.

Olympiyskiy Prospect 38, Office 411
Mytishchi, Moscow Region
141006, Russia
Phone: +7 495 989 5135
Email: info.russia@tractel.com

ASIA

CHINA

Shanghai Tractel Mechanical Equip. Tech. Co. Ltd.

2nd oor, Block 1, 3500 Xiupu road,
Kangqiao, Pudong,
Shanghai, People's Republic of China
Phone: +86 21 6322 5570
Fax: +86 21 5353 0982

SINGAPORE

Tractel Singapore Pte Ltd

50 Woodlands Industrial Park E7
Singapore 757824
Phone: +65 6757 3113
Fax: +65 6757 3003
Email: enquiry@tractelsingapore.com

UAE

Tractel Secalt SA Dubai Branch

Office 1404, Prime Tower Business Bay
PB 25768 Dubai, United Arab
Emirates
Phone: +971 4 343 0703
Email: tractel.me@tractel.com

INDIA

Secalt India Pvt Ltd.

412/A, 4th Floor, C-Wing, Kailash
Business Park, Veer Savarkar Road,
Parksite, Vikhroli West,
Mumbai 400079, India
Phone: +91 22 25175470/71/72
Email: info@secalt-india.com

TURKEY

Knot Yapı ve İş Güvenliği San.Tic. A.Ş.

Cevizli Mh. Tugay Yolu CD.
Nuvo Dragos Sitesi
A/120 Kat.11 Maltepe
34846 Istanbul, Turkey
Phone: +90 216 377 13 13
Fax: +90 216 377 54 44
Email: info@knot.com.tr

ANY OTHER COUNTRIES:

Tractel S.A.S.

RD 619 Saint-Hilaire-sous-Romilly
BP 38 Romilly-sur-Seine
10102, France
Phone: +33 3 25 21 07 00
Fax: +33 3 25 21 07 11
Email: info.tsas@tractel.com



www.tractel.com

