

The Beam clamp constitutes a safe means of anchorage to an overhead “I” beam with a flange of 3.0 to 8¼ in. (75 to 210 mm). Manually adjustable, the beam clamp presents a simple design for quick and easy installation.

For further information, refer to the “Use and Maintenance Instructions” for man-rated beam clamp.

⚠ WARNING

Always select an anchorage point that is rigid and capable of supporting 5,000 lbs. (22.2 kN) per person attached.

⚠ WARNING

Always work directly under the anchorage point to avoid a swing fall injury.

APPLICATIONS

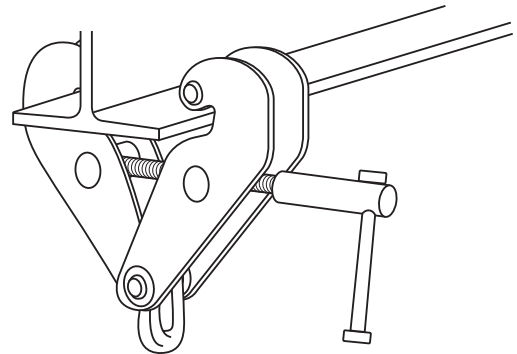
- Bridges
- Steel structures
- Vertical lifeline anchor connection

APPLICABLE STANDARDS

- Manufactured in accordance with ANSI, OSHA and CSA requirements.
- Meets and/or exceeds 5,000 lbs. (22.2 kN) strength requirements for anchorage point.
- Refer to specific standards as federal, state, local or provincial regulations may differ.

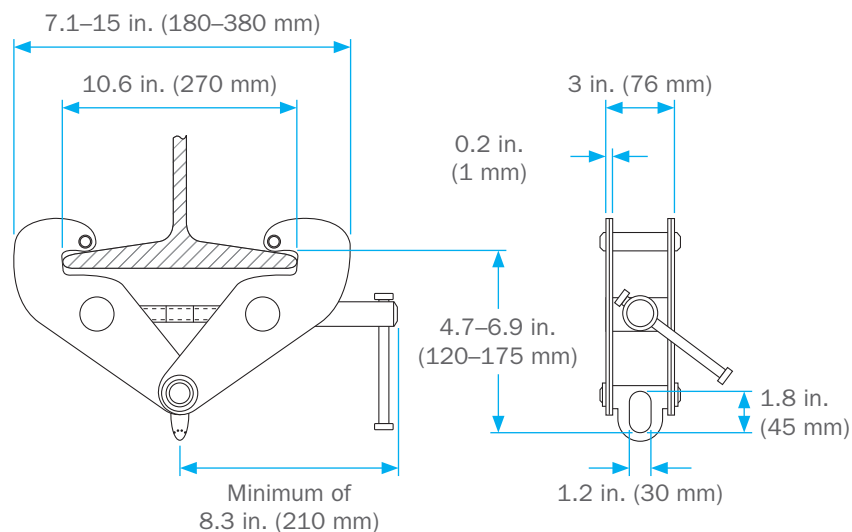
AVAILABLE MODEL

- **V5009** Beam clamp



SPECIFICATIONS

WIDTH OF BEAM	3 to 8¼ in. (75 to 210 mm)
WEIGHT	10.6 lbs. (4.8 kg)
CAPACITY	310 lbs. (140 kg), one person



Specifications are subject to change without notice. Images are for illustrative purposes only.