

TECHNICAL SHEET

The Stopcable ladder safety system is a wire rope type permanent fall protection system for climbing fixed ladders or vertical structures.

The system consists of galvanized top and bottom brackets, galvanized steel cable, a turnbuckle and a stainless steel fall arrester (sold separately). Brackets are designed for ladder rungs but can be easily adapted to most structures. A 3/8 in. (9.5 mm) steel cable is tensioned and contained approximately every 25 ft. (7.5 m) by cable guides which are designed to minimize cable vibration and slack.

A stainless steel fall arrester with internal spring-loaded cam can be attached or removed from the cable at any point. It is secured with a compatible carabiner, supplied with the fall arrester, to the frontal attachment point on any approved ladder climbing harness.

The user is free to climb and descend with full use of the hands. In the event of a fall, the fall arrester will quickly lock on the cable and arrest the fall. Free fall distance is minimized by a close coupled assembly. An uninjured worker can quickly recover and climb down the structure to safety with complete protection.

**MOUNTING REQUIREMENTS**

The Stopcable ladder safety system is designed to meet the performance criteria set in the ANSI A14.3 and CSA standard for fall protection on fixed ladders. The ladder upon which the system is to be mounted must meet with applicable requirements set out by OSHA, ANSI, CSA and applicable federal, regional and local regulations.

**APPLICATIONS**

- Telecommunication towers
- Light poles
- Water towers
- Hydro electric towers
- Stacks
- Any other climable structure

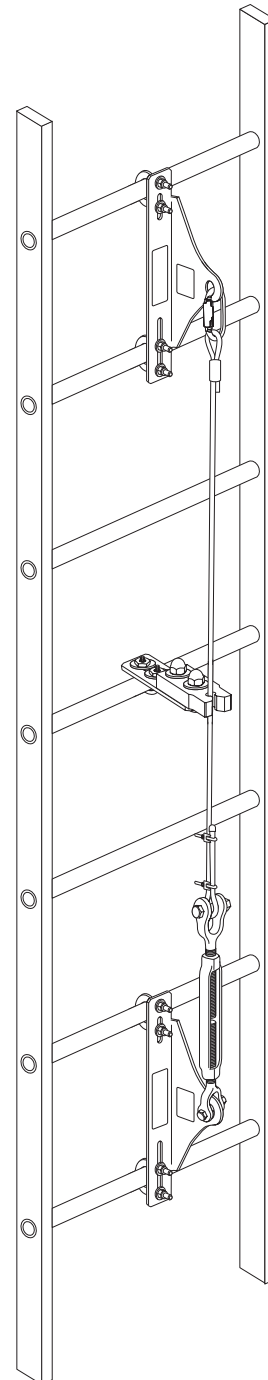
**APPLICABLE STANDARDS**

- ANSI A14.13
- OSHA 1910.66, app. C
- CSA Z259.2.5-17

**AVAILABLE MODELS**

- **L1T8.../1\*** Ladder safety system for 3/8 in. (9.5 mm) galvanized wire rope
- **L1T8...S/1\*** Ladder safety system for 3/8 in. (9.5 mm) stainless steel wire rope
- **LT38E** Detachable fall arrester with energy absorber for 3/8 in. (9.5 mm) wire rope

\*Every system is available from 20 to 600 ft. (6 to 182 m) by increments of 10 ft. (3 m).



**NOTE**

System does not include the ladder or the fall arrester

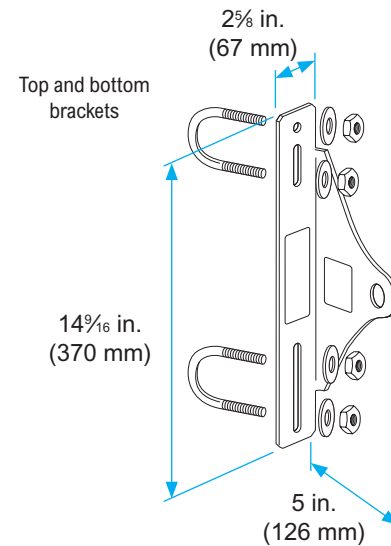
<b>AVAILABLE SYSTEM LENGTHS</b>	20 to 600 ft. (6 to 182 m) in multiples of 10 ft. (3 m)
<b>SAFE WORKING LOAD</b>	310 lb. (140 kg), one person
<b>MAX. ARRESTING FORCE</b>	1,200 lb. (6 kN)
<b>TEMPERATURE RANGE</b>	-30 to 115°F (-35 to 45°C)

TECHNICAL SHEET

**STOPCABLE SYSTEM COMPONENTS**

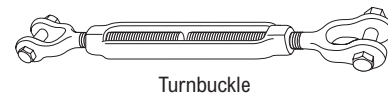
**TOP AND BOTTOM BRACKETS**

- Galvanized – L121985
- Stainless steel – L32902
- Standard brackets: 3.6 lb. (1.6 kg)
- Includes two standard stainless steel U-bolts that can accommodate ladder rungs up to 1<sup>13</sup>/<sub>32</sub> in. (36 mm) in diameter
- Material construction:
  - Galvanized – Steel with hot dip galvanized finish
  - Stainless – Stainless steel



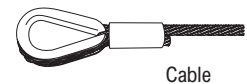
**TURNBUCKLE**

- Galvanized – 78JWTB12
- Stainless steel – J3640742
- Material construction:
  - Galvanized – Steel with hot dip galvanized finish
  - Stainless – Stainless steel



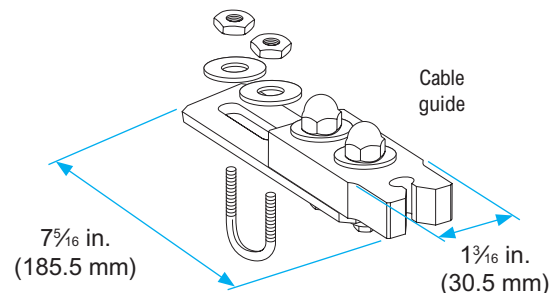
**CABLE**

- Galvanized – J37009000
- Stainless steel – J37009000S
- 7 x 19, 5/16 in. (8.3 mm) or 3/8 in. (9.5 mm)
- Min. breaking strength:
  - Galvanized – 9,800 lb. (43.6 kN)
  - Stainless – 9,000 lb. (40 kN)
- Weight: 17.3 lb./100 ft. (25.7 kg/100 m)



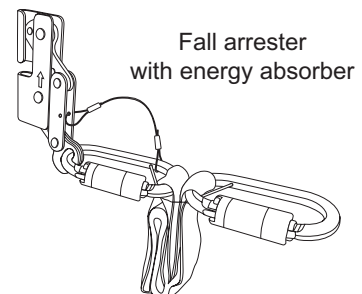
**CABLE GUIDE (REQUIRED EVERY 25 FT. [7.5 M]) – L108857**

- Stainless steel mounting bracket
- Excellent low temperature flexibility
- Includes one standard stainless steel U-bolt that can accommodate ladder rungs up to 1<sup>13</sup>/<sub>32</sub> in. (36 mm) in diameter
- Weight: 0.48 lb. (220 g) each



**DETACHABLE FALL ARRESTER WITH ENERGY ABSORBER FOR 5/8 IN. (9.5 MM) WIRE ROPE – LT38E**

- Material: stainless steel 304
- Dimensions: 5 x 4 x 5/8 in. (127 x 102 x 16 mm)
- Low maintenance, minimal moving parts
- Steel oval autolocking carabiner:
  - Min. breaking strength: 5,000 lb. (22.2 kN)
  - Individually proof-loaded to 3,600 lb. (16 kN)
- Total weight of fall arrester, energy absorber and carabiners: 1.6 lb. (725 g)



TECHNICAL SHEET

AVAILABLE MODELS

Ladder safety system for  $\frac{3}{8}$  in. (9.5 mm) galvanized wire rope

- L1T820/1 20 ft. (6 m)
- L1T830/1 30 ft. (9 m)
- L1T840/1 40 ft. (12 m)
- L1T850/1 50 ft. (15 m)
- L1T860/1 60 ft. (18 m)
- L1T870/1 70 ft. (21 m)
- L1T880/1 80 ft. (24 m)
- L1T890/1 90 ft. (27 m)
- L1T8100/1 100 ft. (30 m)
- L1T8110/1 110 ft. (33 m)
- L1T8120/1 120 ft. (36 m)
- L1T8130/1 130 ft. (39 m)
- L1T8140/1 140 ft. (42 m)
- L1T8150/1 150 ft. (45 m)
- L1T8160/1 160 ft. (48 m)
- L1T8170/1 170 ft. (51 m)
- L1T8180/1 180 ft. (54 m)
- L1T8190/1 190 ft. (58 m)
- L1T8200/1 200 ft. (60 m)



Ladder safety system for  $\frac{3}{8}$  in. (9.5 mm) stainless steel wire rope

- L1T820S/1 20 ft. (6 m)
- L1T830S/1 30 ft. (9 m)
- L1T840S/1 40 ft. (12 m)
- L1T850S/1 50 ft. (15 m)
- L1T860S/1 60 ft. (18 m)
- L1T870S/1 70 ft. (21 m)
- L1T880S/1 80 ft. (24 m)
- L1T890S/1 90 ft. (27 m)
- L1T8100S/1 100 ft. (30 m)
- L1T8110S/1 110 ft. (33 m)
- L1T8120S/1 120 ft. (36 m)
- L1T8130S/1 130 ft. (39 m)
- L1T8140S/1 140 ft. (42 m)
- L1T8150S/1 150 ft. (45 m)
- L1T8160S/1 160 ft. (48 m)
- L1T8170S/1 170 ft. (51 m)
- L1T8180S/1 180 ft. (54 m)
- L1T8190S/1 190 ft. (58 m)
- L1T8200S/1 200 ft. (60 m)



- **LT38E** Detachable fall arrester with energy absorber for  $\frac{3}{8}$  in. (9.5 mm) wire rope