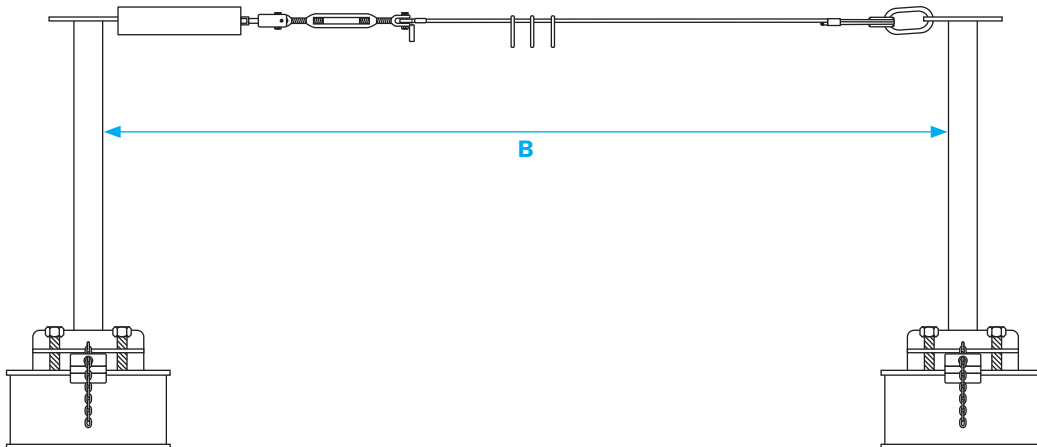
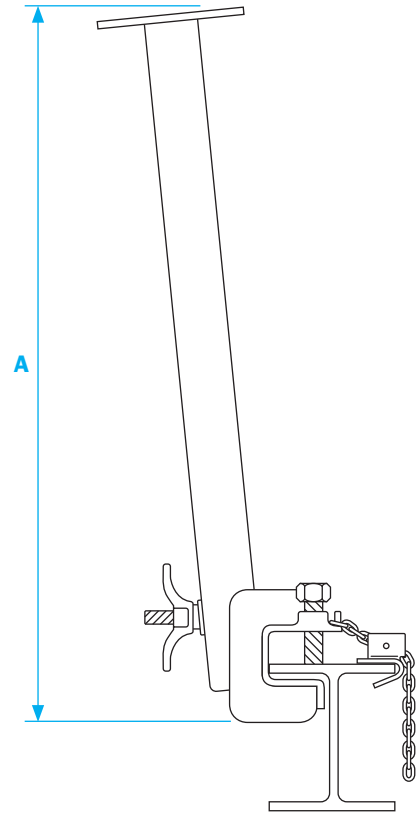


STANCHION HEIGHT (A)	From 37 to 38 in. (94 to 96.5 cm) depending on beam thickness
FLANGE	MINIMUM ½ x 8 in. (1.25 x 20 cm)
	MAXIMUM 2¼ x 32 in. (5.7 x 81.25 cm)
MAXIMUM SPAN LENGTH (B)	Maximum 60 ft. (18.3 m)



Specifications are subject to change without notice. Images are for illustrative purposes only.