

Installation

Your Dual Vertical Lift Gate comes essentially fully assembled. Proper installation requires two people, a few basic tools and typically installs in one hour.

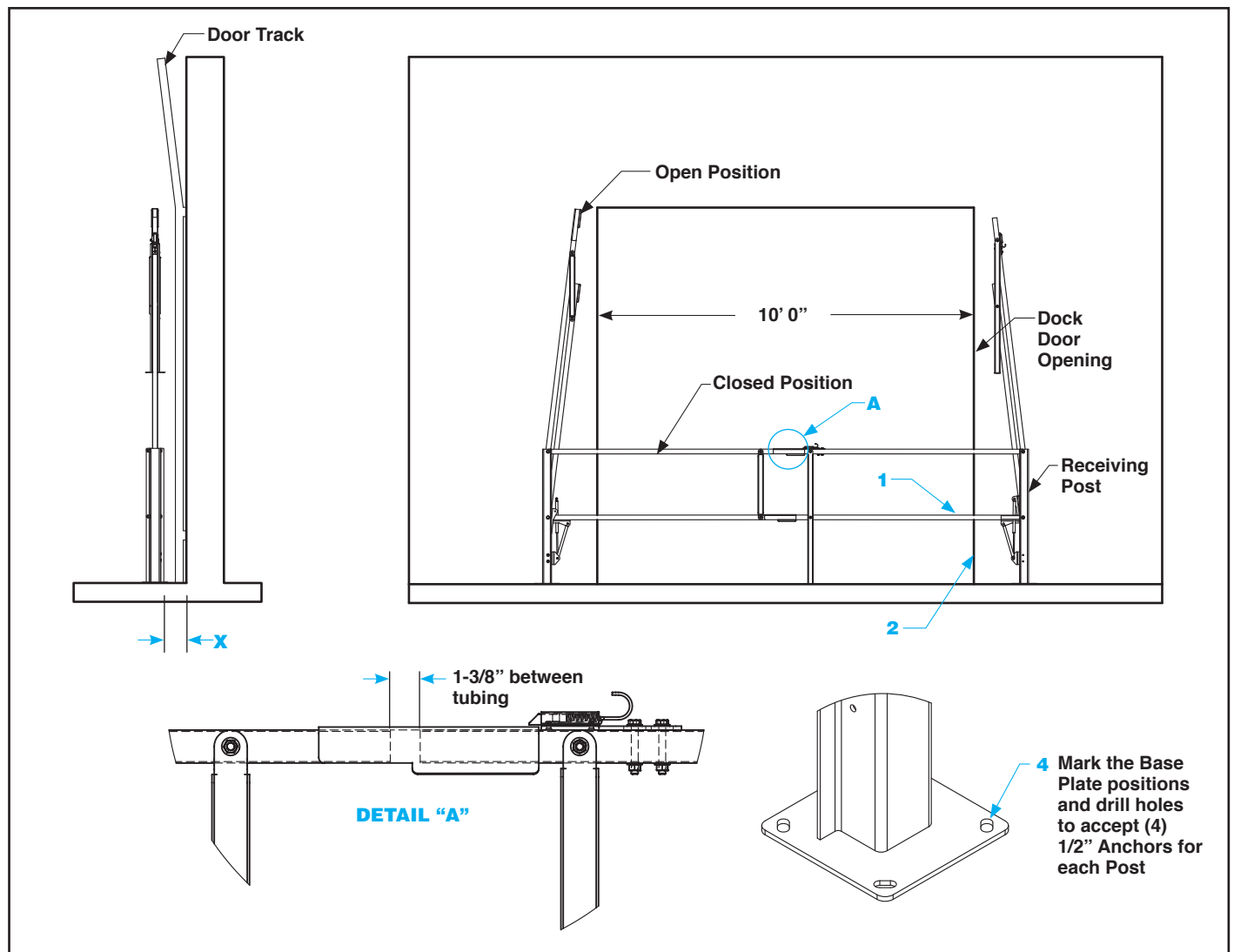
Step 1: With the help of a partner, put the gate in the down position and latch it into the receiver post. Move entire assembly into approximate position.

Step 2: Center the gate on the dock door opening and align the front edge of the receiver post with the wall. Move receiver post just far enough away from the wall to avoid contact with the door track when the gate is opened ("X"). The gap must not be wide enough to permit a person to slip through.

Step 3: A gap of 1 3/8" must be between the gate doors before the receiving posts are mounted to the floor. The gap will be located inside the latch channel (Detail A).

Step 4: Once in position, mark position of the mounting plate holes on the floor and drill holes to accept (4) 1/2" fasteners per post (not provided).

Safety Note: Make sure the door is closed during installation to avoid falling off the ledge.



For additional information or assistance, call 1-800-962-6111 or email us at info@safetygate.com

For additional information, please visit our website at www.safetygate.com