

Hardware Parts

| | Quantity |
|-----------------------------|-----------------|
| A. Main Support..... | 1 |
| B. Receiver Support | 1 |
| C. Pivot Gate Left | 1 |
| D. Pivot Gate Right..... | 1 |
| E. 5/16" Hex Bolt | 6 |
| F. 5/16" Lock Washers | 6 |
| G. 5/16" Flat Washers | 6 |

Installation

Your Dual Vertical Lift Gate comes essentially fully assembled. Proper installation requires two people, a few basic tools and 30 – 60 minutes.

Step 1: With the help of a partner, put the gate in the down position and latch the two sections together. Move

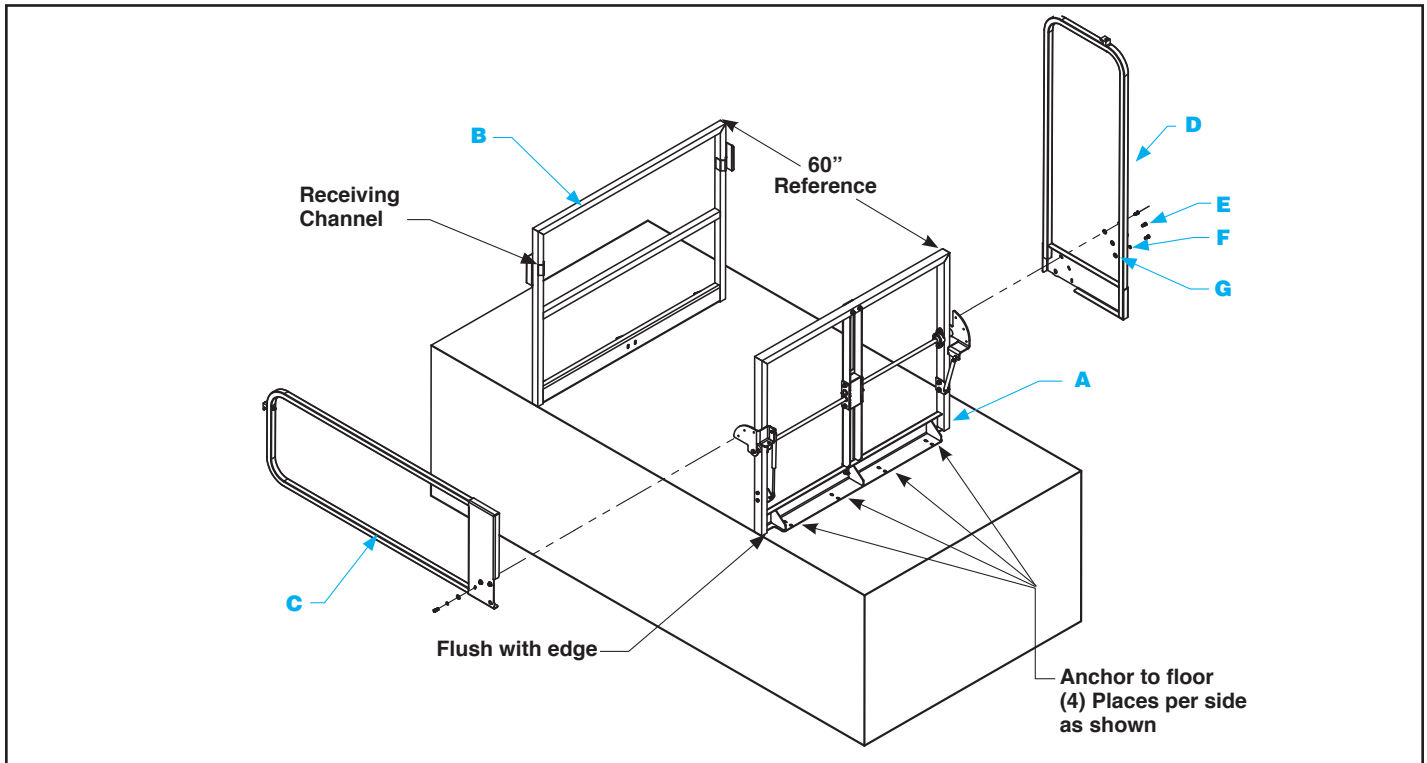
the entire assembly into approximate position.

Step 2: Center the assembly so the distance from the mounting plate edge ("X") is equal on both sides. Move the assembly just far enough from the wall to avoid contact with the door track when the gate is opened ("Y"). The gap must not be wide enough to permit a person to slip through.

Step 3: Anchor the Main Support (A) to the floor. Multiple slots are provided. You must use a minimum of (4) 3/8" diameter fasteners per side for a total of 8 fasteners. The fasteners should penetrate through the surface and be secured below with washers and nuts.

Step 4: Position the second support (B) making sure the gates nest properly and secure the support to the floor with (4) fasteners as explained in step 3. The gates must not bind when they rotate into the receiving channels to insure proper function.

Suggested Tools: 1/2" socket and ratchet



Safety Note: There must be OSHA-approved fall protection devices in use during the installation of this product! Assemble the unit away from the edge of the mezzanine. After assembly is complete, move the MZ Clear Height Safety Gate to the edge as shown and anchor to the floor.

For additional information or assistance, call 1-800-962-6111 or e-mail us at info@safetygate.com

For additional information, please visit our website at www.safetygate.com