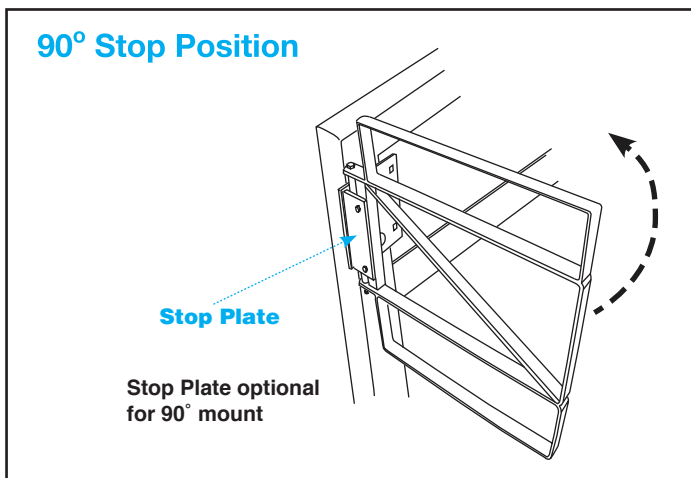
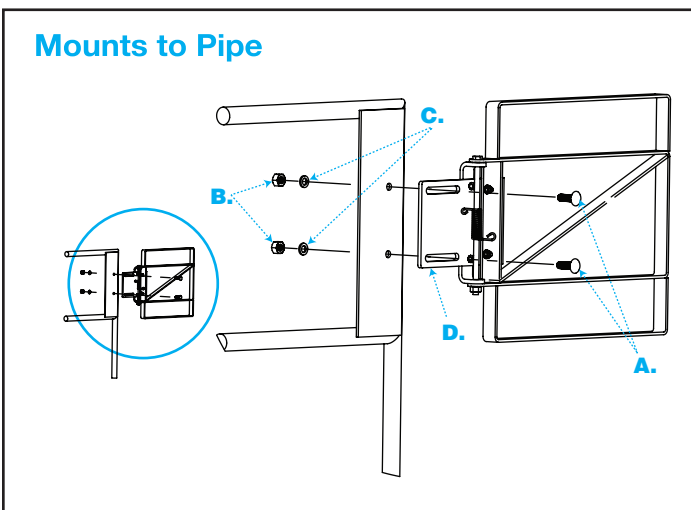
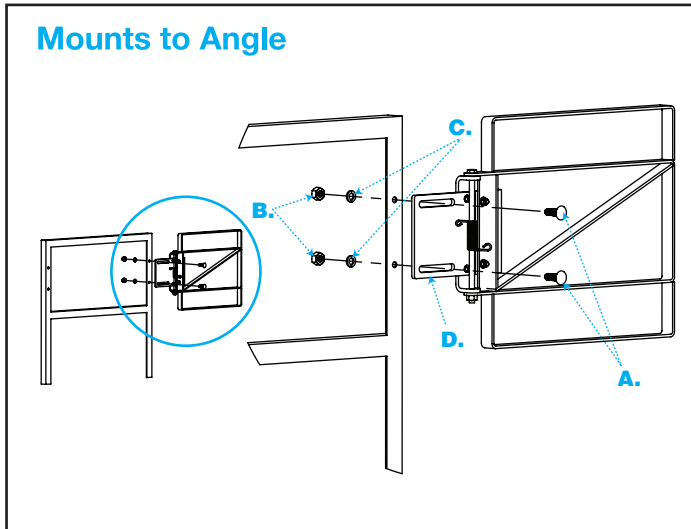


The FabEnCo Z Series Self-Closing Safety Gate can be installed on all types of handrails (angle, flatbar, pipe) or to existing walls. It can be mounted left or right, on either side of a handrail. You can choose a standard or 90° stop position. Once installed, our custom stainless steel spring automatically closes the gate after each passage.



Hardware Parts

	Quantity
A. 5/8" Zinc-Plated Carriage Bolts	2
B. 5/8" Zinc-Plated Heavy Hex Nuts	2
C. 5/8" Zinc-Plated Lock Washers.....	2
D. Pipe Post Adapter.....	1
E. Mounting Plate/Assembly Frame	1

Suggested Tools: 1-1/16" Socket

Angle Post Installation

Step 1: Using the Pipe Post Adapter (D - see "Mounts to Pipe" illustration) as a template, drill two holes in the angle post to fit preferred bolt position.

Step 2: Insert the 5/8" Carriage Bolts (A) through the holes and fasten the gate to the post with the 5/8" Heavy Hex Nuts (B) and 5/8" Lock Washers (C).

Pipe Post Installation

Step 1: Weld the Pipe Post Adapter (D) to the pipe post.

Step 2: Insert the 5/8" Carriage Bolts (A) through the holes and fasten the gate to the post with the 5/8" Heavy Hex Nuts (B) and 5/8" Lock Washers (C).

For additional information or assistance, call 1-800-962-6111 or e-mail us at info@safetygate.com

For additional information, please visit our website at www.safetygate.com