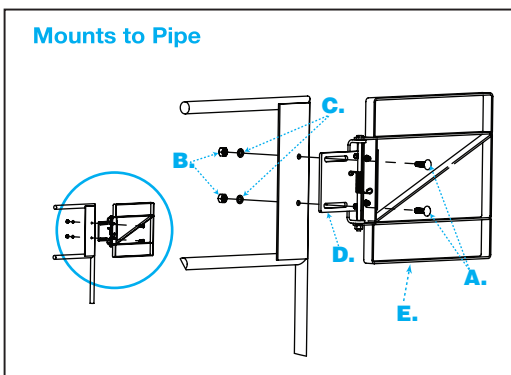
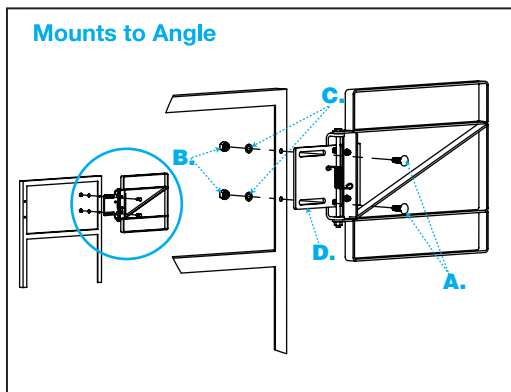


The FabEnCo ZT Series Self-Closing Safety Gate can be installed on all types of handrails (angle, flatbar, pipe) or to existing walls. It can be mounted left or right, on either side of a handrail. You can choose a standard or 90° stop position. Once installed, our custom stainless steel spring automatically closes the gate after each passage.



Hardware Parts

	Quantity
A. 5/8" Zinc-Plated Carriage Bolts	2
B. 5/8" Zinc-Plated Heavy Hex Nuts	2
C. 5/8" Zinc-Plated Lock Washers.....	2
D. Pipe Post Adapter.....	1
E. Mounting Plate/Assembly Frame.....	1

Suggested Tools: 1-1/16" Socket

Angle Post Installation

Step 1: Using the Pipe Post Adapter (D - see "Mounts to Pipe" illustration) as a template, drill two holes in the angle post to fit preferred bolt position.

Step 2: Insert the 5/8" Carriage Bolts (A) through the holes and fasten the gate to the post with the 5/8" Heavy Hex Nuts (B) and 5/8" Lock Washers (C).

Pipe Post Installation

Step 1: Weld the Pipe Post Adapter (D) to the pipe post.

Step 2: Insert the 5/8" Carriage Bolts (A) through the holes and fasten the gate to the post with the 5/8" Heavy Hex Nuts (B) and 5/8" Lock Washers (C).

Toe Board Kit

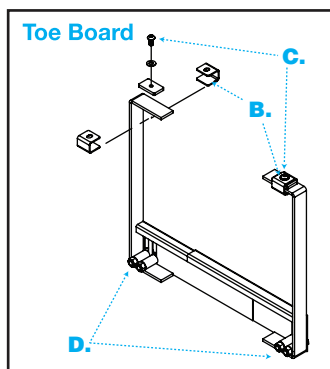
The FabEnCo Toe Board Kit is a clamp-on extension for Z Gates that provides continued handrail/toe board protection across the ladderway opening.

Step 1: Pull Toe Board Frame open to match safety gate frame.

Step 2: Center Spacer Bar (A) on bottom rail of safety gate.

Step 3: Align top of Toe Board Frame with safety gate frame.

Step 4: Slide Clamp Clips (B) in place and align holes with threaded holes in Spacer Bar (A).



Hardware Parts

	Quantity
A. Spacer Bar	2
B. Clamp Clips.....	4
C. Clip Bolts.....	2
D. Adjustment "U" Bolts	2
E. 3/8" Hex Nuts	4
F. 3/8" Washer	4

Suggested Tools: 7/32" Allen Wrench and 11/16" Socket

Step 5: Tighten Clamp Clips (B) to Spacer Bar (A) with Clip Bolts (C) to secure assembly.

Step 6: Set Toe Board height and secure Adjustment "U" Bolts (D) using a 11/16" socket.

For additional information or assistance, call 1-800-962-6111 or e-mail us at info@safetygate.com

For additional information, please visit our website at www.safetygate.com